

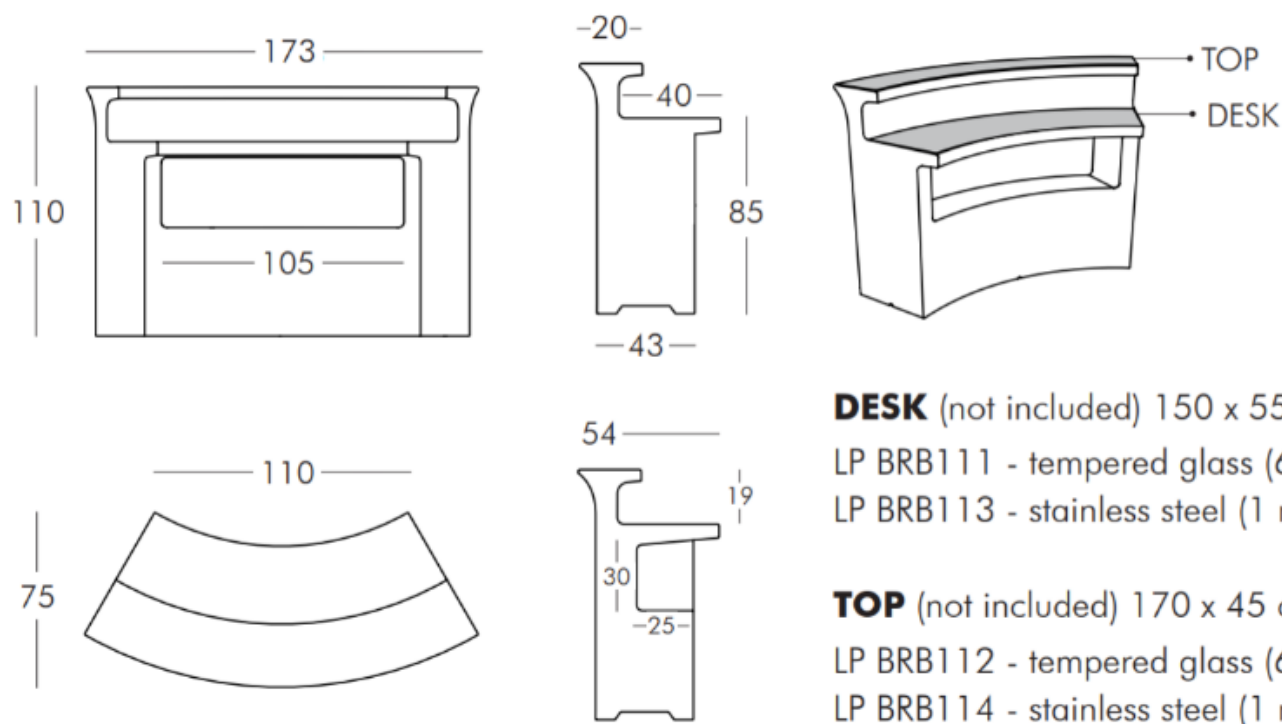
## BREAK BAR



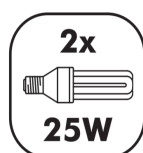
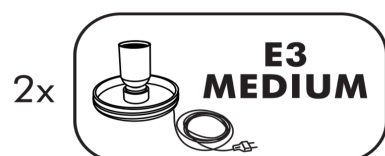
### GENERAL INFORMATION:

|  |  |
|--|--|
| Bancone counter  |  |
| Versions:  | standard, lighting   |
| Material:  | Polyethylene   |
| Dimensions:  | 173 x 75 h 110 cm (68"x29"x43.30")   |
| Weight:  | 45 Kg  |
| Packaging:   | 174 x 77 x 111 cm  |
| Packaging volume:  | 1,487 m <sup>3</sup>   |
| Note:  | matching with Ice Bar, Break Corner and Break Line.  |
| Code:  | LP BRB110 lighting (IP 55 for indoor and outdoor use)<br>SD BRB110 standard (for indoor and outdoor use) |
| Wiring with plastic base and LED CANDY LIGHT. IP44 protection. Diameter 10 cm. |  |
| Lamp type:   | E 26   |
| Insulation class 2   |  |
| Device proper to direct assembly onto normally inflammable surface             |  |

### DIMENSIONS:



### LIGHTING:



Wiring with plastic screw base. I3 - IP20 protection. E3 - IP55 protection. Diameter 10 cm.

Energy saving bulb recommended (not included).

FINISHES:

## STANDARD

- MILKY WHITE (code FT)
- JET BLACK (code FH)
- ELEPHANT GREY (code FG)
- CHOCOLATE BROWN (code FE)
- ARGIL GREY (code FJ)
- DOVE GREY (code FP)
- POWDER BLUE (code FL)
- MALVA GREEN (code FV)
- LIME GREEN (code FR)
- SAFFRON YELLOW (code FB)
- PUMPKIN ORANGE (code FC)
- FLAME RED (code FD)
- SWEET FUCHSIA (code FU)

## LIGHTING

- LIGHT WHITE (code LA)