

CONSTRUCTIVE & DIMENSIONAL:

Application field:	Gardens, Passageways, Cycle paths, Walkways and driveways
Construction material:	Extruded aluminum EN AW-6060 T5 high resistance to oxidation Stainless steel A4-70 treated with highly antioxidant water-repellent lubricating solution
External screws:	
Length:	125mm(4,92")
Width:	80mm(3,14")
Height :	300mm(11,81")

ELECTRICAL for model

GH1426.CAFT300EN GH1426.CAF.T

Number of heads:	1
Description:	1 x 11.9 W LED 3000 K CRI>90 1 x 1635 lm
Luminaire efficiency [lm/W]:	71.05
Fixture consumption:	14 W
Operation Range:	110-277 V - 50/60 Hz
Number of circuits:	1
Driver positioning:	Integral
Control gear type:	Electronic
Dimmer type:	Dim on request
Cable entry:	Brass cable gland M12 Ø 3.5/7 mm
Daisy chain wiring:	External to the luminaire with IP68 connector available as an accessory
Cable type:	H05RN-F 2x1mm2
Cord length [m]:	0.5
Water-Lock system:	Included
Ambient temperature operating range [°C]:	-20 °C ÷ +35 °C

OPTICAL:

Beam angle: [°]	91°
Light distribution:	Symmetrical wide beam (45° - 125°)
Beam directionability:	Fixed optics
Diffuser material:	Tempered glass 5mm
Diffuser finish:	Transparent - extra clear
Optics:	Anti UV technopolymer lens

LIGHTING SOURCE,

Light source:	LED
Type of bulb or LED:	LED
Light source: [W]	11.9 W
Nominal LED emission: [Lm]	1635 lm
Color temperature:	3000 K
Binning:	Step MacAdam 2
LED voltage range: [V]	31.2-36.8V
Current:	350 mA
Life Time LED: [t]	100.000h - L90 - B10
Luminaire emission [lm]	1 x 995

FINISH OPTIONS:

Standard Finishes

- .05 Anthracite grey (matt)
- .19 Light grey (matt)

Upon Request Finishes

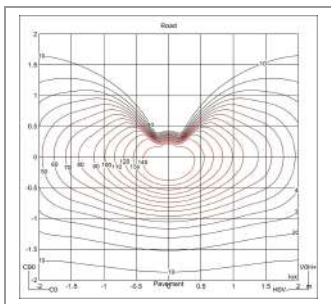
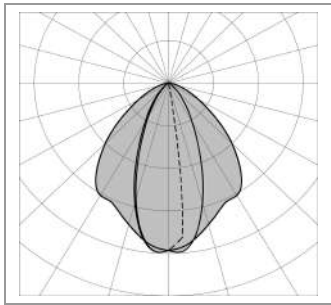
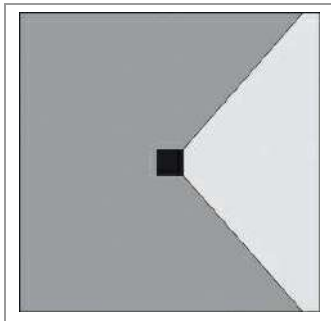
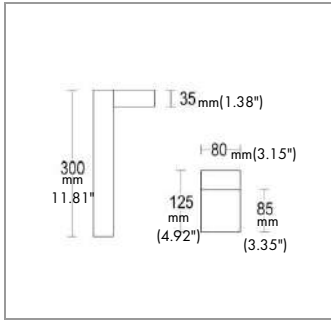
- .01 White matt
- .02 Black matt
- .45 Corten matt
- .26 Luxury bronze
- .62 Antique grey matt
- .65 Blue matt
- .83 Green matt
- .80 Sand matt



sales@gordonbullard.com
www.bullardbollards.com
1-877-964-4646



991 South Gull Lake Dr
Richland, MI 49083
USA



CONSTRUCTIVE & DIMENSIONAL:

Application field:	Gardens, Passageways, Cycle paths, Walkways and driveways
Construction material:	Extruded aluminum EN AW-6060 T5 high resistance to oxidation Stainless steel A4-70 treated with highly antioxidant water-repellent lubricating solution
External screws:	
Length:	125mm(4,92")
Width:	80mm(3,14")
Height :	300mm(11,81")

ELECTRICAL for model

GH1426.CAFT400EN GH1426.CBF.T

Number of heads:	1
Description:	1 x 11.9 W LED 4000 K CRI>90 1 x 1768 lm
Luminaire efficiency [lm/W]:	76.83
Fixture consumption:	14 W
Operation Range:	110-277 V - 50/60 Hz
Number of circuits:	1
Driver positioning:	Integral
Control gear type:	Electronic
Dimmer type:	Dim on request
Cable entry:	Brass cable gland M12 Ø 3.5/7 mm
Daisy chain wiring:	External to the luminaire with IP68 connector available as an accessory
Cable type:	H05RN-F 2x1mm2
Cord length [m]:	0.5
Water-Lock system:	Included
Ambient temperature operating range [°C]:	-20 °C ÷ +35 °C

OPTICAL:

Beam angle: [°]	91°
Light distribution:	Symmetrical wide beam (45° - 125°)
Beam directionability:	Fixed optics
Diffuser material:	Tempered glass 5mm
Diffuser finish:	Transparent - extra clear
Optics:	Anti UV technopolymer lens

LIGHTING SOURCE,

Light source:	LED
Type of bulb or LED:	LED
Light source: [W]	11.9 W
Nominal LED emission: [Lm]	1768 lm
Color temperature:	4000 K
Binning:	Step MacAdam 2
LED voltage range: [V]	31.2-36.8V
Current:	350 mA
Life Time LED: [t]	100.000h - L90 - B10
Luminaire emission [lm]	1 x 1076

FINISH OPTIONS:

Standard Finishes

- .05 Anthracite grey (matt)
- .19 Light grey (matt)

Upon Request Finishes

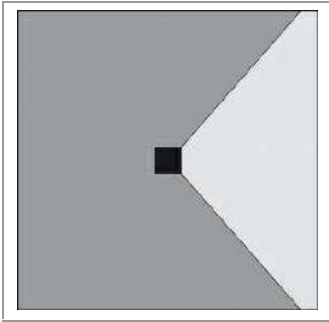
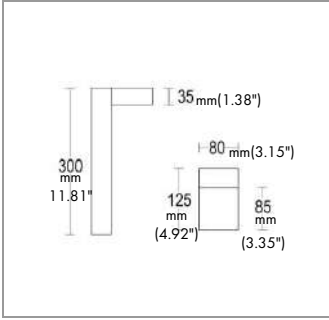
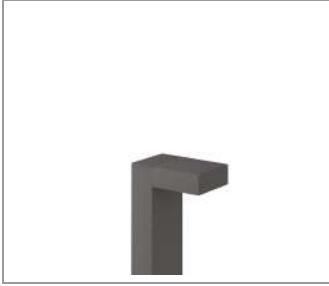
- .01 White matt (std price)
- .02 Black matt (std price) .26
- .45 Corten matt (std price)
- Luxury bronze (std price) .65
- .62 Antique grey matt (std price) .80
- Blue matt (std price) .83 Green
- matt (std price)



sales@gordonbullard.com
www.bullardbollards.com
1-877-964-4646



991 South Gull Lake Dr
Richland, MI 49083
USA



ACCESSORIES:



IP 68 connector for through wiring 4P AC279



IP 68 fast connector 4P AC204



Minitondo plated steel anchorage Compatto AC274



DALI Optional ED-20

