

CONSTRUCTIVE & DIMENSIONAL:

| | |
|------------------------|---|
| Application field: | Gardens, Passageways, Cycle paths, Walkways and driveways |
| Construction material: | Extruded aluminum EN AW-6060 T5 high resistance to oxidation Stainless steel A4-70 treated with highly antioxidant water-repellent lubricating solution |
| External screws: | |
| Length: | 125mm(4,92") |
| Width: | 80mm(3,14") |
| Height : | 500mm(19,68") |

ELECTRICAL for model

GH1425.CAFT300EN

| | |
|---|---|
| Number of heads: | 1 |
| Description: | 1 x 11.9 W LED 3000 K CRI>90 1 x 1635 lm |
| Luminaire efficiency [lm/W]: | 71.05 |
| Fixture consumption: | 14 W |
| Operation Range: | 110-277 V - 50/60 Hz |
| Number of circuits: | 1 |
| Driver positioning: | Integral |
| Control gear type: | Electronic |
| Dimmer type: | Dim on request |
| Cable entry: | Brass cable gland M12 Ø 3.5/7 mm |
| Daisy chain wiring: | External to the luminaire with IP68 connector available as an accessory |
| Cable type: | H05RN-F 2x1mm ² |
| Cord length [m]: | 0.5 |
| Water-Lock system: | Included |
| Ambient temperature operating range [°C]: | -20 °C ÷ +35 °C |

OPTICAL:

| | |
|------------------------|------------------------------------|
| Beam angle: [°] | 91° |
| Light distribution: | Symmetrical wide beam (45° - 125°) |
| Beam directionability: | Fixed optics |
| Diffuser material: | Tempered glass 5mm |
| Diffuser finish: | Transparent - extra clear |
| Optics: | Anti UV technopolymer lens |

LIGHTING SOURCE,

| | |
|----------------------------|----------------------|
| Light source: | LED |
| Type of bulb or LED: | LED |
| Light source: [W] | 11.9 W |
| Nominal LED emission: [Lm] | 1635 lm |
| Color temperature: | 3000 K |
| Binning: | Step MacAdam 2 |
| LED voltage range: [V] | 31.2-36.8V |
| Current: | 350 mA |
| Life Time LED: [t] | 100.000h - L90 - B10 |
| Luminaire emission [lm] | 1 x 995 |

FINISH OPTIONS:

Standard Finishes

● .05 Anthracite grey (matt)

● .19 Light grey (matt)

Upon Request Finishes

● .01 White matt

● .02 Black matt

● .45 Corten matt

● .26 Luxury bronze

● .62 Antique grey matt

● .65 Blue matt

● .80 Sand matt

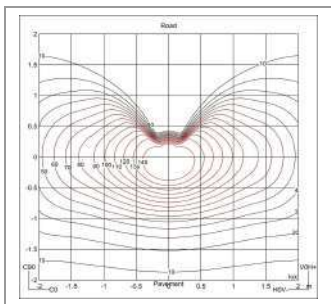
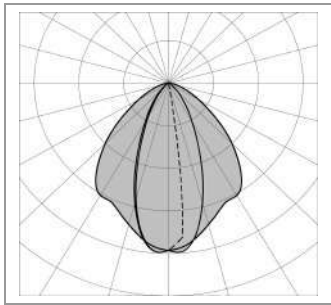
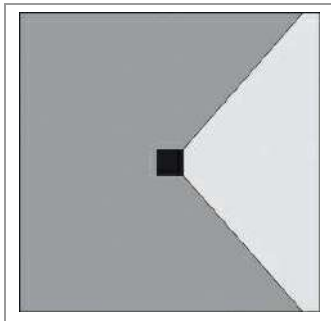
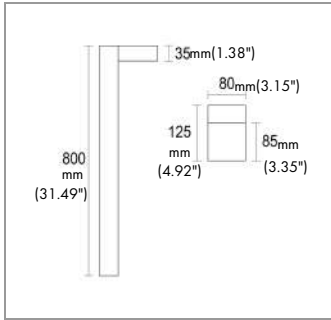
● .83 Green matt



sales@gordonbullard.com
www.bullardbollards.com
1-877-964-4646



991 South Gull Lake Dr
Richland, MI 49083
USA



CONSTRUCTIVE & DIMENSIONAL:

| | |
|------------------------|---|
| Application field: | Gardens, Passageways, Cycle paths, Walkways and driveways |
| Construction material: | Extruded aluminum EN AW-6060 T5 high resistance to oxidation Stainless steel A4-70 treated with highly antioxidant water-repellent lubricating solution |
| External screws: | |
| Length: | 125mm(4,92") |
| Width: | 80mm(3,14") |
| Height : | 500mm(19,68") |

ELECTRICAL for model

GH1425.CAFT400EN

| | |
|---|---|
| Number of heads: | 1 |
| Description: | 1 x 11.9 W LED 4000 K CRI>90 1 x 1768 lm |
| Luminaire efficiency [lm/W]: | 76.83 |
| Fixture consumption: | 14 W |
| Operation Range: | 110-277 V - 50/60 Hz |
| Number of circuits: | 1 |
| Driver positioning: | Integral |
| Control gear type: | Electronic |
| Dimmer type: | Dim on request |
| Cable entry: | Brass cable gland M12 Ø 3.5/7 mm |
| Daisy chain wiring: | External to the luminaire with IP68 connector available as an accessory |
| Cable type: | H05RN-F 2x1mm2 |
| Cord length [m]: | 0.5 |
| Water-Lock system: | Included |
| Ambient temperature operating range [°C]: | -20 °C ÷ +35 °C |

OPTICAL:

| | |
|------------------------|------------------------------------|
| Beam angle: [°] | 91° |
| Light distribution: | Symmetrical wide beam (45° - 125°) |
| Beam directionability: | Fixed optics |
| Diffuser material: | Tempered glass 5mm |
| Diffuser finish: | Transparent - extra clear |
| Optics: | Anti UV technopolymer lens |

LIGHTING SOURCE,

| | |
|----------------------------|----------------------|
| Light source: | LED |
| Type of bulb or LED: | LED |
| Light source: [W] | 11.9 W |
| Nominal LED emission: [Lm] | 1768 lm |
| Color temperature: | 4000 K |
| Binning: | Step MacAdam 2 |
| LED voltage range: [V] | 31.2-36.8V |
| Current: | 350 mA |
| Life Time LED: [t] | 100.000h - L90 - B10 |
| Luminaire emission [lm] | 1 x 1076 |

FINISH OPTIONS:

Standard Finishes

● .05 Anthracite grey (matt)

● .19 Light grey (matt)

Upon Request Finishes

● .01 White matt (std price)

● .02 Black matt (std price) .26

● .45 Corten matt (std price)

● Luxury bronze (std price) .65

● .62 Antique grey matt (std price) .80

● Blue matt (std price) .83 Green

● Sand matt (std price)

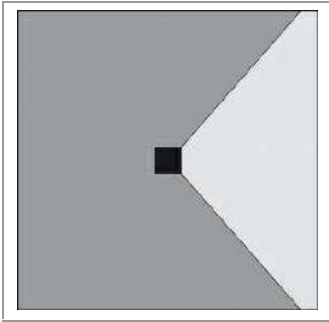
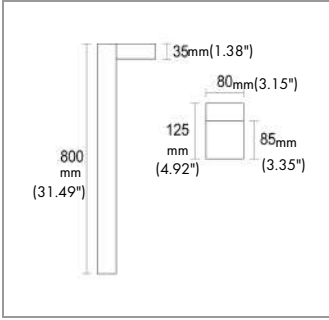
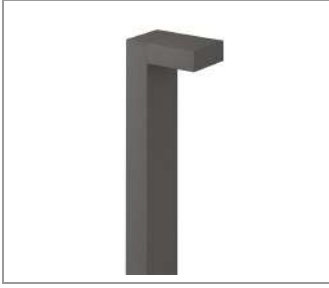
● matt (std price)



sales@gordonbullard.com
www.bullardbollards.com
1-877-964-4646



991 South Gull Lake Dr
Richland, MI 49083
USA



ACCESSORIES:



IP 68 connector for through wiring 4P AC279



IP 68 fast connector 4P AC204



Minitondo plated steel anchorage Compatto AC274



DALI Optional ED-20

