



BULLARD
BOLLARDS

D43 TAU



g@gordonbullard.com
www.bullardbollards.com
269-569-6700



991 South Gull Lake Dr
Richland, MI 49083, USA
1 877-964-464



TIPOLOGY

POLE MOUNTED
LOW POLE/BOLLARD

The totally glare-free softly diffused light, the rigorous design together with high quality materials, make it the right product to light outdoor areas in general. A slim essential disc that generates soft and comfortable light only downward, thus complying with the luminous pollution Regulations. The use of electronic ballasts is the most technologically advanced solution. Tau is an innovative proposal where the present requisites of energy saving and environmental compatibility are widely met.

ENVIRONMENTS

Urban landscape, hallway

COLOURS

STANDARD

Graphite satin finish

CHARACTERISTICS

CONSTRUCTION

Corrosion resistant aluminium construction. Polyester powder coating, with a pluri-processed against corrosion (passed the exposure of over 1500 hours in a saline mist environment). AISI 304 stainless steel screws. Silicone rubber gaskets. Wind exposed surface:

Tau/1: 0,015m²

Tau/2: 0,017m²

Tau/3: 0,053m²

OPTICAL SYSTEM

UV-stabilized unbreakable polycarbonate diffuser.

Tau/3: Tempered glass screens.

LIFETIME (LED VERSIONS)

50.000h L80B20 (Ta=25°C)

WIRING

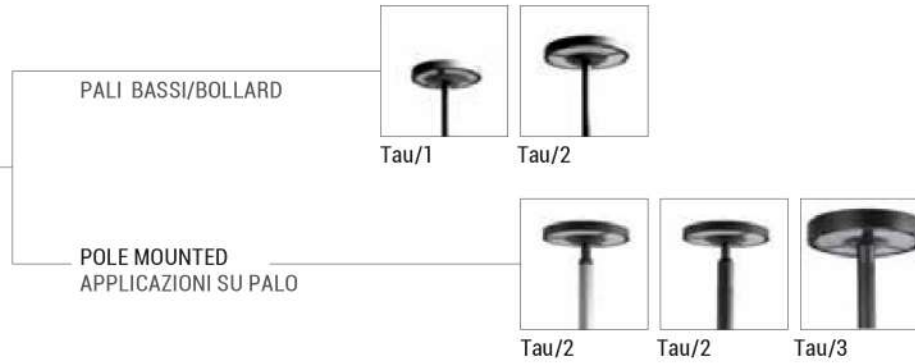
For line entry use only (EN 60598-1) a three core H07RN-F rubber cable with diameter between 7.5 and 12mm
Electronic driver included 220-240V 50-60Hz.



BULLARD
BOLLARDS

D43 TAU

TAU
D43



g@gordonbullard.com
www.bullardbollards.com
269-569-6700



991 South Gull Lake Dr
Richland, MI 49083, USA
1 877-964-464



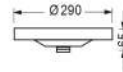
BULLARD BOLLARDS

D43 TAU

LOW POLE/BOLLARD

Unbreakable UV-resistant polycarbonate.

Note: DALI version on request.



STANDARD



graphite satin finish

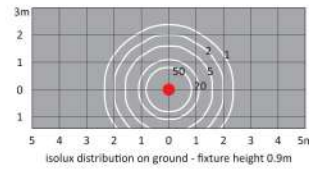
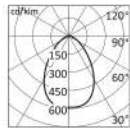
tau/1

CE IK08 IP65

Code	System Power	Source	K	Output flux
D43/1-LWN-GR	10W	LED	4000K	420 lm
D43/1-LWW-GR	10W	LED	3000K	400 lm

Photometric data reference:

D43/1-LWN-GR
Diffused rotosymmetric



g@gordonbullard.com
www.bullardbollards.com
269-569-6700



991 South Gull Lake Dr
Richland, MI 49083, USA
1 877-964-464



BULLARD BOLLARDS

D43 TAU

POLE MOUNTED,
LOW POLE/BOLLARD

Aluminum reflector. Unbreakable
UV-resistant polycarbonate.
Extra-pure aluminium reflector.

Note: DALI version on request.



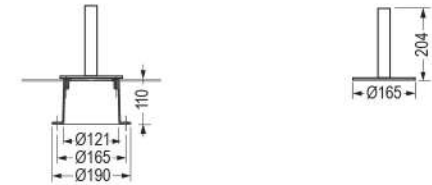
Optional accessoires
for Tau/1 and Tau/2 models

STANDARD



graphite satin finish

Mounting



D43/P

Ground recessed pit with fixing
base. The **D43/P** accessory,
ground recessed pit for
electrical connection housing
complete with fixing base
D43/BS.

D43/BS

Independent fixing base
for low poles.

tau/2

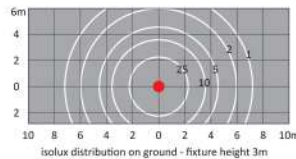
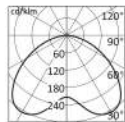
Code	System Power	Source	K	Output flux
D43/2-LWN-GR	29W	LED	4000K	1470 lm
D43/2-LWW-GR	29W	LED	3000K	1400 lm

HEAT CE I K08 IP65

Photometric data reference:

D43/2-LWN-GR

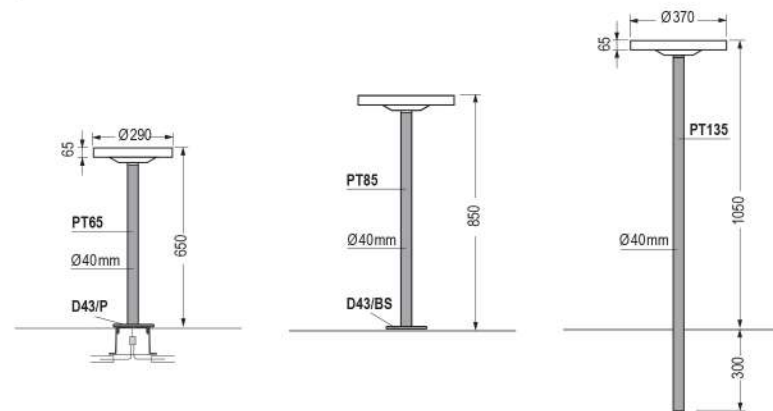
Diffused roto-symmetric



Optional accessoires
for Tau/1 and Tau/2 models

High poles see page: 253

Low Poles



D43/PT65-GR

H: 650 mm
Ø40 mm aluminium poles.

D43/PT85-GR

H: 850 mm
Ø40 mm aluminium poles.

D43/PT135-GR

H: 1350 mm
Ø40 mm aluminium poles.

g@gordonbullard.com
www.bullardbollards.com
269-569-6700



991 South Gull Lake Dr
Richland, MI 49083, USA
1 877-964-464



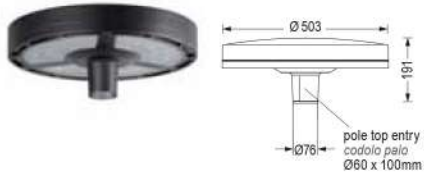
BULLARD BOLLARDS

D43 TAU

POLE MOUNTED,

Silicon high efficiency lenses.
Tempered glass shields.

Note: Pole top entry $\varnothing 60 \times 100 \text{mm}$.
DALI version on request.



STANDARD



graphite satin finish

tau/3

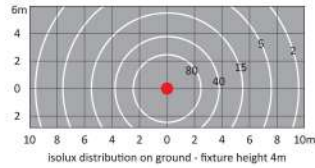
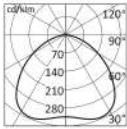
HEAT CE RoHS ENEC IK08 IP65

Code	System Power	Source	K	Output flux
D43/3-LWN-GR	78W	LED	4000K	6204 lm
D43/3-LWW-GR	78W	LED	3000K	5273 lm

Photometric data reference:

D43/3-LWN-GR

Diffused rotosymmetric



g@gordonbullard.com
www.bullardbollards.com
269-569-6700



991 South Gull Lake Dr
Richland, MI 49083, USA
1 877-964-464



BULLARD BOLLARDS

D43 TAU

Optional accessoires

Pole

STANDARD



graphite satin finish



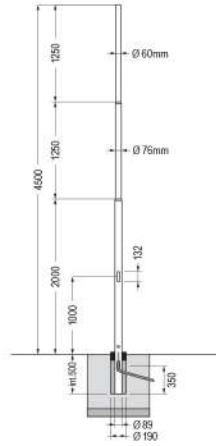
D43/R60-GR

Pole top fixing for $\varnothing 60\text{mm}$ in graphite color, for **Tau/1** and **Tau/2** (to be combined with code D43/P300).



D43/P1-GR

Pole top fixing for $\varnothing 60 \times 100\text{mm}$ in graphite color, for **Tau/1** and **Tau/2**.



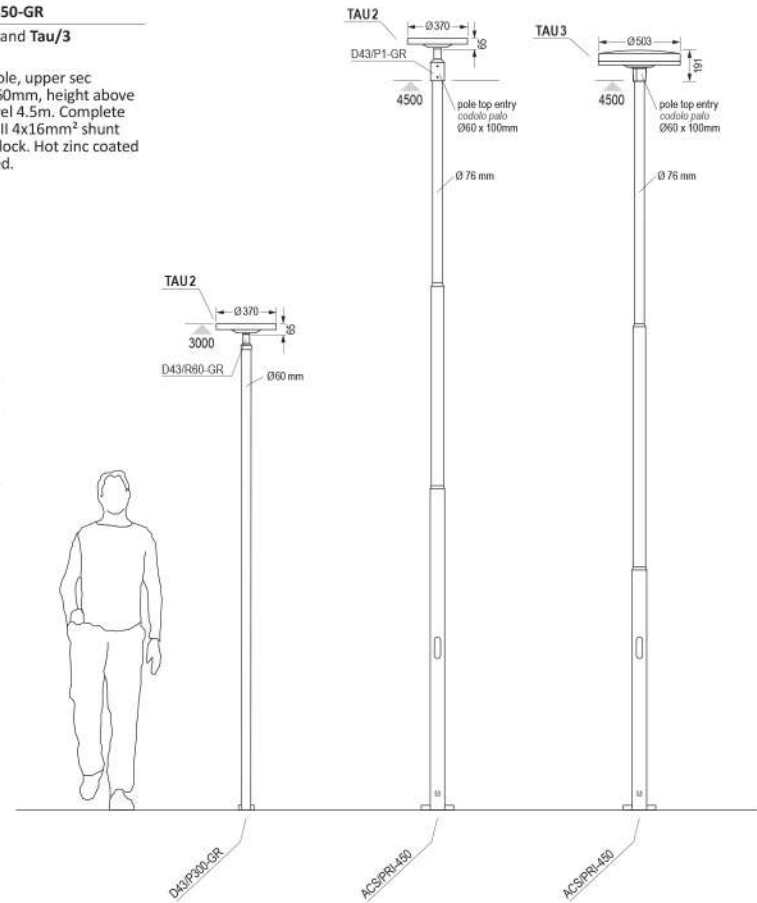
ACS/PRI-450-GR
For **Tau/2** and **Tau/3**

Tapered pole, upper sec diameter 60mm, height above ground level 4.5m. Complete with Class II $4 \times 16\text{mm}^2$ shunt terminal block. Hot zinc coated and painted.

Poles

- ACS/PRI-450-GR
- ACS/PCI-600-GR
- D43/P300-GR

For more details see p. 370



g@gordonbullard.com
www.bullardbollards.com
269-569-6700



991 South Gull Lake Dr
Richland, MI 49083, USA
1 877-964-464