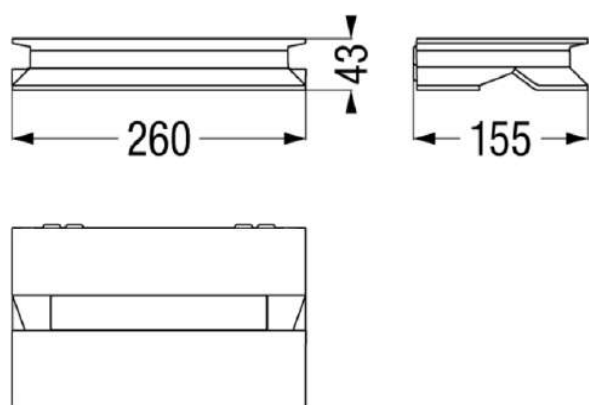
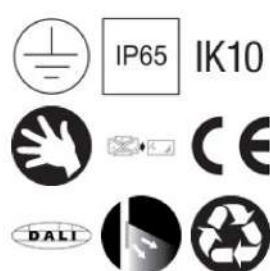


## KEA facade - single emission(D68/F1-84-GR)



### GENERAL INFORMATION:

Item code	D68/F1-84-GR
Place installation	outdoor
Note	1..10V version on request.
Standard color	GR - graphite satin finish (similar to RAL 7022)
Variant color	DN - embossed white RAL 9003, AL - aluminum grey (similar to RAL 7040), CO - Corten
Environments	façades and architectural workhallway, residential lighting

### PHYSICAL :

Installation type	wall mounted
Mounting type	surface
Painting	Polyester powder coating, with a pluri-processed against corrosion (passed the exposure of over 1500 hours in a saline mist environment).
Body	Corrosion-resistant die-cast aluminum body.

### DIMENSIONS:

A: Total width device (mm)	155
L: Total length device (mm)	260
H: Total height device (mm)	43
Weight (kg)	2

### OPTICAL SYSTEMS:

Emission	single emission
Opening beam	asymmetric
Optical System	Safety tempered glass.

### ENERGY SAVING:

This luminaire contains builtin LED lamps.  
The lamps cannot be changed in the luminaire.

### SOURCES :

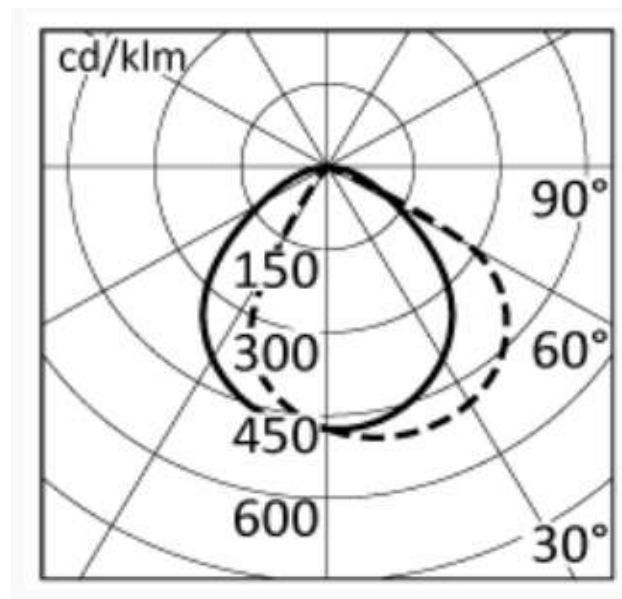
Source Type	LED
System Power	10 W
Sources Temperature Colour	4000K CRI>80
Output Flux	600 lm

**ELECTRICAL:**


Ballast type  
Mounting ballast type  
Line input

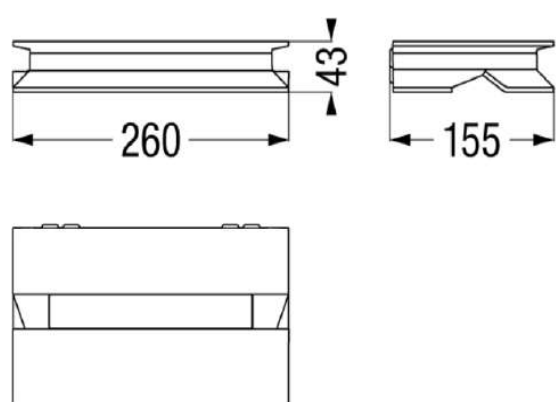
Voltage  
Frequency

Electronic  
Integral  
Cable entry: predisposed for daisy chain wiring,  
internal derivation - terminal block screws  
3x2,5mm<sup>2</sup> use only (EN 60598-1) cable type  
H07RN-F with diameter between 7 and 10mm.  
110-277V  
50-60Hz

**PHOTOMETRICS:**


h (m)	∅ (m)	— γ=0.0 α=100°	∅ (m)	- - - - γ=18.0 β=46°+43°	Emed(lx)
0.50	1.26		1.16		390
1.00	2.52		2.32		97
1.50	3.79		3.48		43
2.00	5.05		4.64		24
2.50	6.31		5.80		16

## KEA facade - single emission(D68/F1-93-GR)



### GENERAL INFORMATION:

Item code	<b>D68/F1-93-GR</b>
Place installation	outdoor
Note	1..10V version on request.
Standard color	GR - graphite satin finish (similar to RAL 7022)
Variant color	DN - embossed white RAL 9003, AL - aluminum grey (similar to RAL 7040), CO - Corten
Environments	façades and architectural workhallway, residential lighting

### PHYSICAL :

Installation type	wall mounted
Mounting type	surface
Painting	Polyester powder coating, with a pluri-processed against corrosion (passed the exposure of over 1500 hours in a saline mist environment).
Body	Corrosion-resistant die-cast aluminum body.

### DIMENSIONS:

A: Total width device (mm)	155
L: Total length device (mm)	260
H: Total height device (mm)	43
Weight (kg)	2

### OPTICAL SYSTEMS:

Emission	single emission
Opening beam	asymmetric
Optical System	Safety tempered glass.

### ENERGY SAVING:

This luminaire contains builtin LED lamps.  
The lamps cannot be changed in the luminaire.

### SOURCES :

Source Type	LED
System Power	10 W
Sources Temperature Colour	3000K CRI>90
Output Flux	560 lm

**ELECTRICAL:**

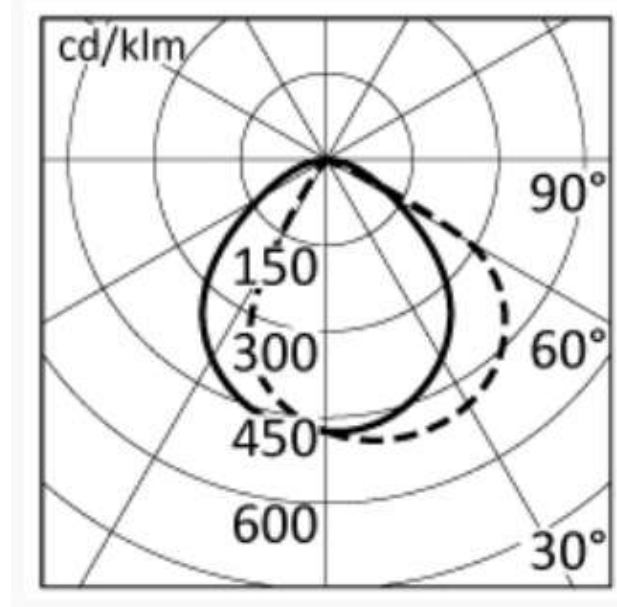


Ballast type  
Mounting ballast type  
Line input

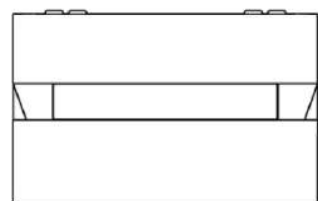
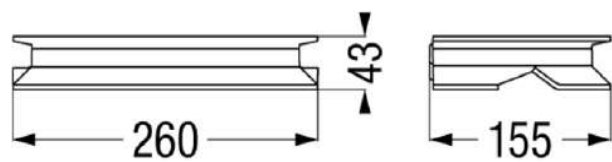
Voltage  
Frequency

Electronic  
Integral  
Cable entry: predisposed for daisy chain wiring,  
internal derivation terminal block screws  
3x2,5mm<sup>2</sup> use only (EN 605981) cable type  
H07RNF with diameter between 7 and 10mm.  
110-277V  
50-60Hz

**PHOTOMETRICS:**



## KEA facade - single emission(D68/F1-84HP-GR)



### GENERAL INFORMATION:

Item code	<b>D68/F1-84HP-GR</b>
Place installation	outdoor
Note	1..10 V version on request.
Standard color	GR - graphite satin finish (similar to RAL 7022)
Variant color	DN - embossed white RAL 9003, AL - aluminum grey (similar to RAL 7040), CO - Corten
Environments	façades and architectural work, hallway, residential lighting

### PHYSICAL :

Installation type	wall mounted
Mounting type	surface
Painting	Polyester powder coating, with a pluri-processed against corrosion (passed the exposure of over 1500 hours in a saline mist environment).
Body	Corrosion resistant die-cast aluminium body.

### DIMENSIONS:

A: Total width device (mm)	155
L: Total length device (mm)	260
H: Total height device (mm)	43
Weight (kg)	2

### OPTICAL SYSTEMS:

Emission	single emission
Opening beam	asymmetric
Optical System	Safety tempered glass.

### ENERGY SAVING:

This luminaire contains builtin LED lamps.  
The lamps cannot be changed in the luminaire.

### SOURCES :

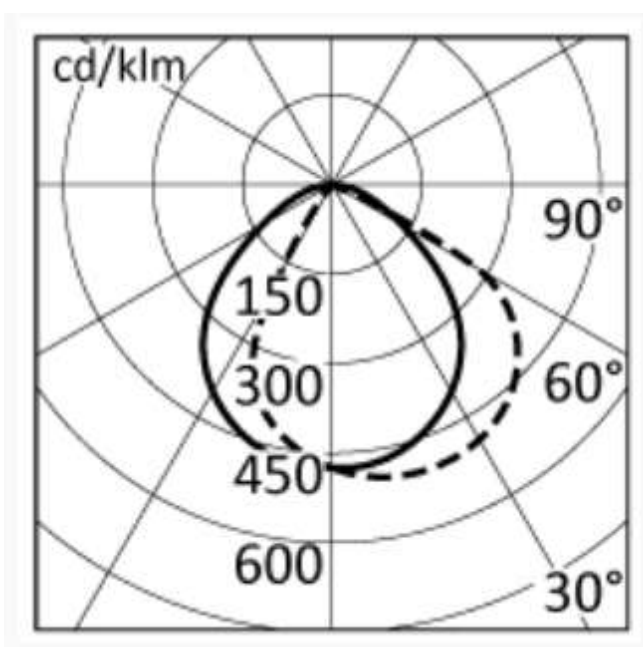
Source Type	LED
System Power	16 W
Sources Temperature Colour	4000K CRI>80
Output Flux	1043 lm

**ELECTRICAL:**


Ballast type  
Mounting ballast type  
Line input

Voltage  
Frequency

Electronic  
Integral  
Cable entry: predisposed for daisy chain wiring,  
internal derivation terminal block screws  
3x2,5mm<sup>2</sup> use only (EN 60598-1) cable type  
H07RN-F with diameter between 7 and 10mm.  
110-277V  
50-60Hz

**PHOTOMETRICS:**


h (m)	∅ (m)	— γ=0.0 α=100°	∅ (m)	- - - γ=18.0 β=46°+43°	Emed (lx)
0.50	1.26		1.16		390
1.00	2.52		2.32		97
1.50	3.79		3.48		43
2.00	5.05		4.64		24
2.50	6.31		5.80		16

## KEA facade - single emission (D68/F1-93HP-GR)

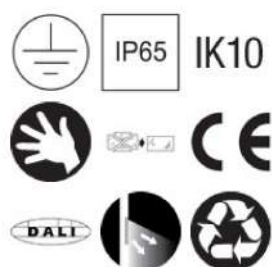
### GENERAL INFORMATION:



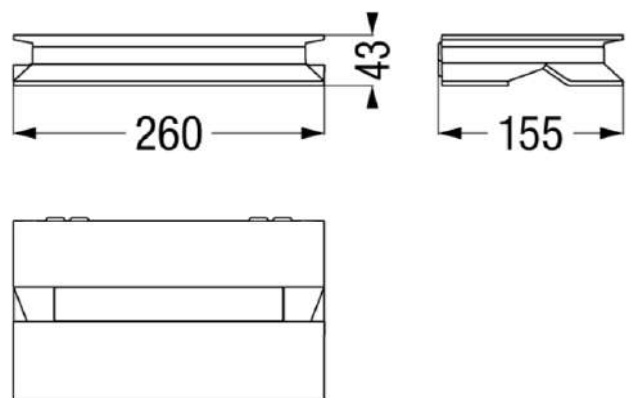
Item code	<b>D68/F1-93HP-GR</b>
Place installation	outdoor
Note	1..10V version on request.
Standard color	GR - graphite satin finish (similar to RAL 7022)
Variant color	DN - embossed white RAL 9003, AL - aluminum grey (similar to RAL 7040), CO - Corten
Environments	façades and architectural workhallway, residential lighting

### PHYSICAL :

Installation type	wall mounted
Mounting type	surface
Painting	Polyester powder coating, with a pluri-processed against corrosion (passed the exposure of over 1500 hours in a saline mist environment).
Body	Corrosion resistant die-cast aluminium body..



### DIMENSIONS:



A: Total width device (mm)	155
L: Total length device (mm)	260
H: Total height device (mm)	43
Weight (kg)	2

### OPTICAL SYSTEMS:

Emission	single emission
Opening beam	asymmetric
Optical System	Safety tempered glass.

### ENERGY SAVING:

This luminaire contains builtin LED lamps.  
The lamps cannot be changed in the luminaire.

### SOURCES :

Source Type	LED
System Power	16 W
Sources Temperature Colour	3000K CRI>90
Output Flux	973 lm



**ELECTRICAL:**

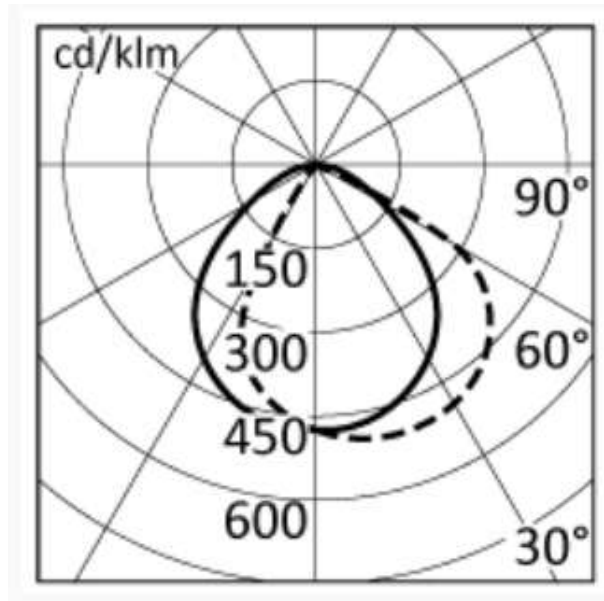


Ballast type  
Mounting ballast type  
Line input

Voltage  
Frequency

Electronic  
Integral  
Cable entry: predisposed for daisy chain wiring,  
internal derivation terminal block screws  
3x2,5mm<sup>2</sup> use only (EN 60598-1) cable type  
H07RN-F with diameter between 7 and 10 mm.  
110-277V  
50-60Hz

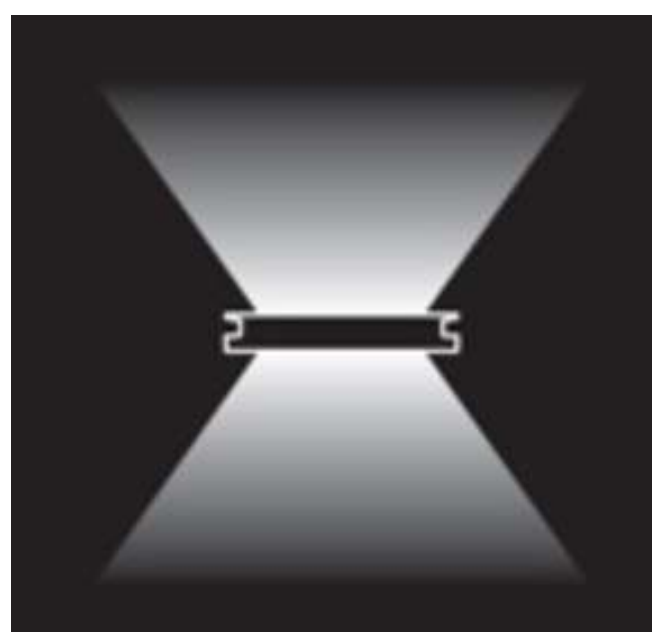
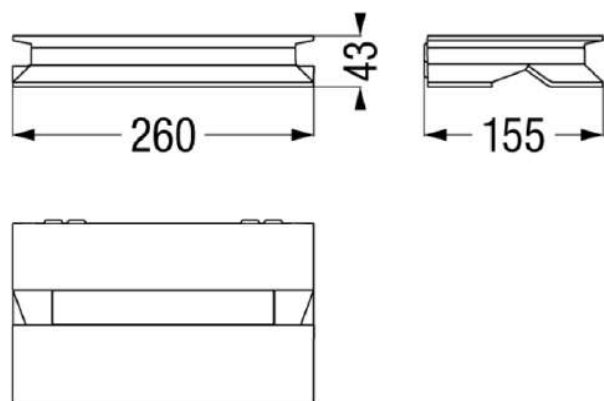
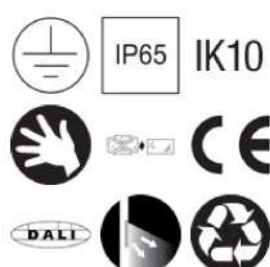
**PHOTOMETRICS:**



h (m)	∅ (m)	— γ=0.0 α=100°	∅ (m)	- - - - γ=18.0 β=46°+43°	Emed(lx)
0.50	1.26		1.16		390
1.00	2.52		2.32		97
1.50	3.79		3.48		43
2.00	5.05		4.64		24
2.50	6.31		5.80		16



## KEA facade - double emission (D68/F2-84-GR)



### GENERAL INFORMATION:

Item code	D68/F2-84-GR
Place installation	outdoor
Note	1..10V version on request.
Standard color	GR - graphite satin finish (similar to RAL 7022)
Variant color	DN - embossed white RAL 9003, AL - aluminum grey (similar to RAL 7040), CO - Corten
Environments	façades and architectural workhallway, residential lighting

### PHYSICAL :

Installation type	wall mounted
Mounting type	surface
Painting	Polyester powder coating, with a pluri-processed against corrosion (passed the exposure of over 1500 hours in a saline mist environment).
Body	Corrosion resistant die-cast aluminium body.

### DIMENSIONS:

A: Total width device (mm)	155
L: Total length device (mm)	260
H: Total height device (mm)	43
Weight (kg)	2

### OPTICAL SYSTEMS:

Emission	double emission
Opening beam	asymmetric
Optical System	Safety tempered glass.

### ENERGY SAVING:

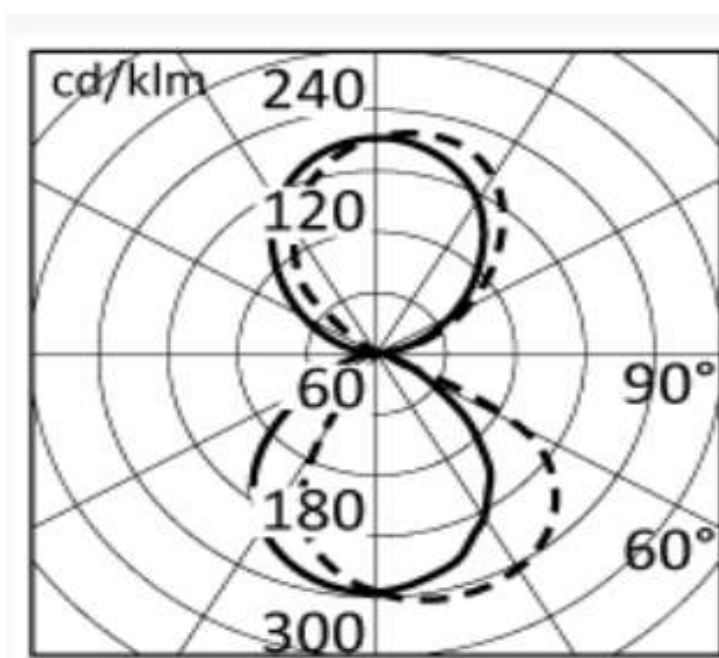
This luminaire contains builtin LED lamps.  
The lamps cannot be changed in the luminaire.

### SOURCES :

Source Type	LED
System Power	12 W
Sources Temperature Colour	4000K CRI>80
Output Flux	955 lm

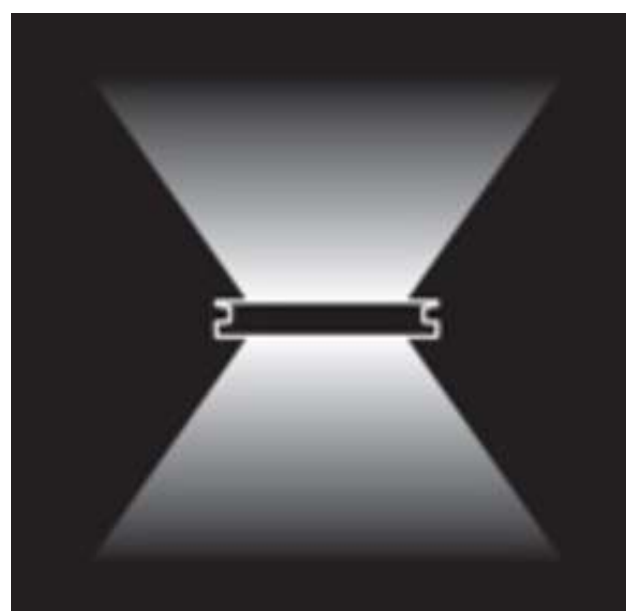
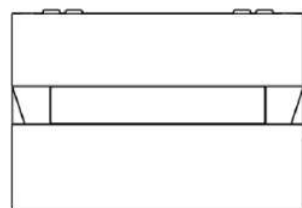
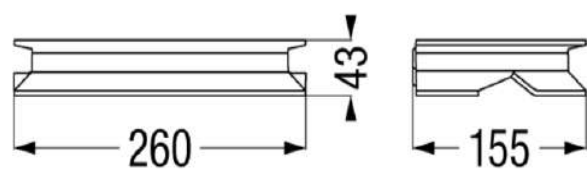
**ELECTRICAL:**


Ballast type	Electronic
Mounting ballast type	Integral
Line input	Cable entry: predisposed for daisy chain wiring, internal derivation terminal block screws 3x2,5mm <sup>2</sup> use only (EN 60598-1) cable type H07RN-F with diameter between 7 and 10 mm.
Voltage	110-277V
Frequency	50-60Hz

**PHOTOMETRICS:**


h (m)	∅ (m)	----- $\gamma=12.0$ $\beta=51^\circ+43^\circ$	∅ (m)	— $\gamma=0.0$ $\alpha=100^\circ$	Emed (lx)
2.50	5.64		6.13		14
1.50	3.38		3.68		39
0.50	1.13		1.23		350
0.50	1.16		1.26		369
1.50	3.48		3.79		41
2.50	5.80		6.31		15
		----- $\gamma=18.0$ $\beta=46^\circ+43^\circ$		— $\gamma=0.0$ $\alpha=100^\circ$	

## KEA facade - double emission(D68/F2-93-GR)



### GENERAL INFORMATION:

Item code	D68/F2-93-GR
Place installation	outdoor
Note	1..10V version on request.
Standard color	GR - graphite satin finish (similar to RAL 7022)
Variant color	DN - embossed white RAL 9003, AL - aluminum grey (similar to RAL 7040), CO - Corten
Environments	façades and architectural workhallway, residential lighting

### PHYSICAL :

Installation type	wall mounted
Mounting type	surface
Painting	Polyester powder coating, with a pluri-processed against corrosion (passed the exposure of over 1500 hours in a saline mist environment).
Body	Corrosion resistant die-cast aluminium body.

### DIMENSIONS:

A: Total width device (mm)	155
L: Total length device (mm)	260
H: Total height device (mm)	43
Weight (kg)	2

### OPTICAL SYSTEMS:

Emission	double emission
Opening beam	asymmetric
Optical System	Safety tempered glass.

### ENERGY SAVING:

This luminaire contains builtin LED lamps.  
The lamps cannot be changed in the luminaire.

### SOURCES :

Source Type	LED
System Power	12 W
Sources Temperature Colour	3000K CRI>90
Output Flux	890 lm

**ELECTRICAL:**



Ballast type	Electronic
Mounting ballast type	Integral
Line input	Cable entry: predisposed for daisy chain wiring, internal derivation terminal block screws 3x2,5mm <sup>2</sup> use only (EN 60598-1) cable type H07RN-F with diameter between 7 and 10 mm.
Voltage	110-277V
Frequency	50-60Hz

**PHOTOMETRICS:**

