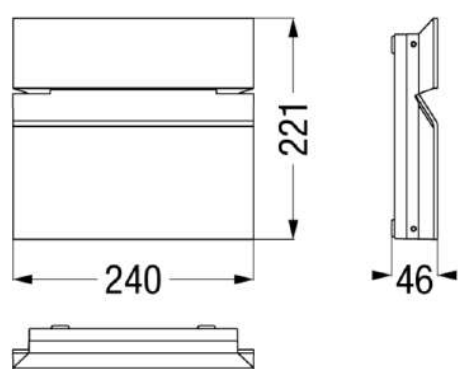
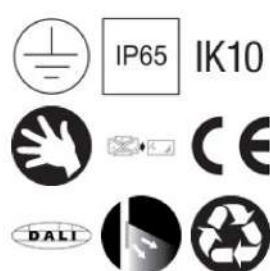


## KEA pathway(D68/P1-84-GR)



### GENERAL INFORMATION:

Item code	<b>D68/P1-84-GR</b>
Place installation	outdoor
Note	DALI version on request.
Standard color	GR - graphite satin finish (similar to RAL 7022)
Variant color	DN - embossed white RAL 9003, AL - aluminum grey (similar to RAL 7040), CO - Corten
Environments	hallway residential lighting

### PHYSICAL :

Installation type	wall recessed wall mounted
Mounting type	surface with rough-in housing
Painting	Polyester powder coating, with a pluri-processed against corrosion (passed the exposure of over 1500 hours in a saline mist environment).
Body	Corrosion resistant die-cast aluminium body.

### DIMENSIONS:

A: Total width device (mm)	46
L: Total length device (mm)	240
H: Total height device (mm)	221
Weight (kg)	2,1

### OPTICAL SYSTEMS:

Emission	single emission
Opening beam	asymmetric
Optical System	Safety tempered glass.

### ENERGY SAVING:

This luminaire contains builtin LED lamps.  
The lamps cannot be changed in the luminaire.

### SOURCES :

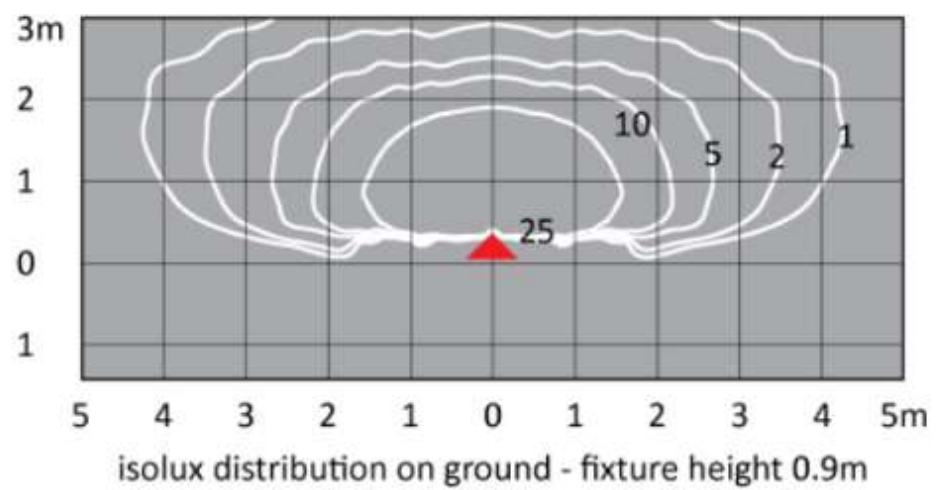
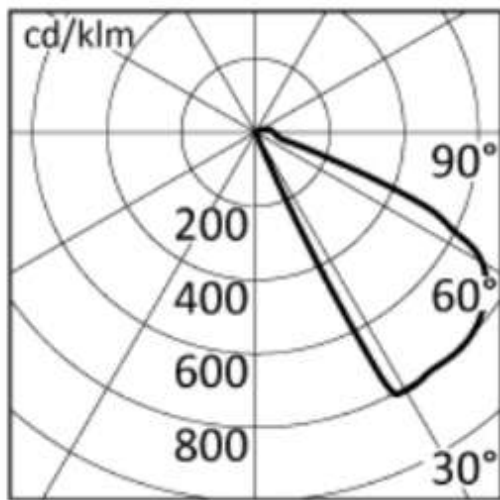
Source Type	LED
System Power	9,5 W
Sources Temperature Colour	4000K CRI>80
Output Flux	340 lm

**ELECTRICAL:**



Ballast type	Multipower electronic
Mounting ballast type	Integral
Line input	Cable entry: predisposed for daisy chain wiring, internal derivation - terminal block screws 3x2,5mm <sup>2</sup> use only (EN 60598-1) cable type H07RN-F with diameter between 7 and 10mm.
Voltage	110-277V
Frequency	50-60Hz

**PHOTOMETRICS:**

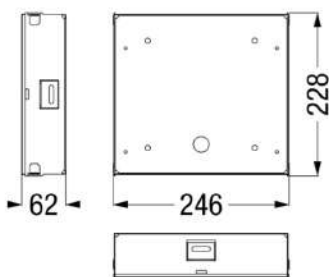


**OPTIONAL ACCESSORIES:**

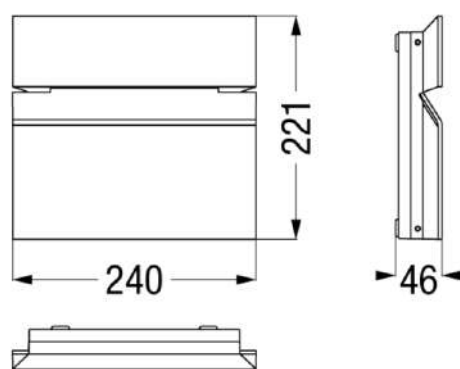
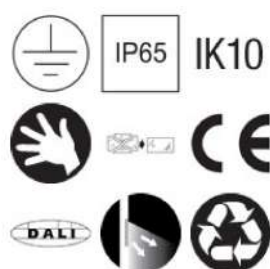
Rough-in housing



Accessory code	D68/P1-CI
Technical description	KEA pathway concrete rough-in housing.



## KEA pathway(D68/P1-93-GR)



### GENERAL INFORMATION:

Item code	<b>D68/P1-93-GR</b>
Place installation	outdoor
Note	DALI version on request.
Standard color	GR - graphite satin finish (similar to RAL 7022)
Variant color	DN - embossed white RAL 9003, AL - aluminum grey (similar to RAL 7040), CO - Corten
Environments	hallway residential lighting

### PHYSICAL :

Installation type	wall recessed wall mounted
Mounting type	surface with rough-in housing
Painting	Polyester powder coating, with a pluri-processed against corrosion (passed the exposure of over 1500 hours in a saline mist environment).
Body	Corrosion resistant die-cast aluminium body.

### DIMENSIONS:

A: Total width device (mm)	46
L: Total length device (mm)	240
H: Total height device (mm)	221
Weight (kg)	2,1

### OPTICAL SYSTEMS:

Emission	single emission
Opening beam	asymmetric
Optical System	Safety tempered glass.

### ENERGY SAVING:

This luminaire contains builtin LED lamps.  
The lamps cannot be changed in the luminaire.

### SOURCES :

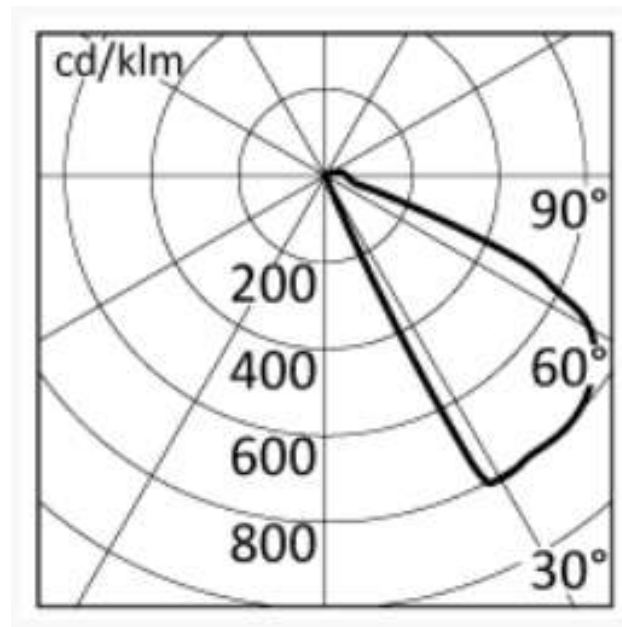
Source Type	LED
System Power	9,5W
Sources Temperature Colour	3000K CRI>90
Output Flux	270 lm

**ELECTRICAL:**



Ballast type	Multipower electronic
Mounting ballast type	Integral
Line input	Cable entry: predisposed for daisy chain wiring, internal derivation terminal block screws 3x2,5mm <sup>2</sup> use only (EN 605981) cable type H07RNF with diameter between 7 and 10mm.
Voltage	110-277V
Frequency	50-60Hz

**PHOTOMETRICS:**

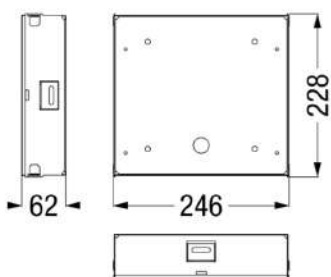


**OPTIONAL ACCESSORIES:**

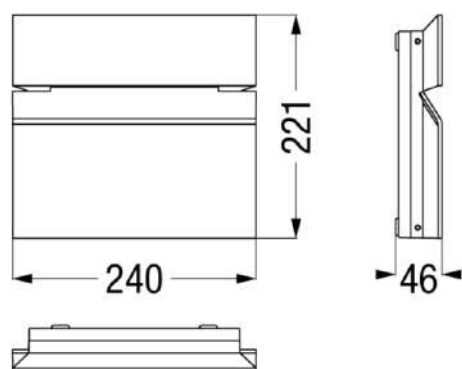
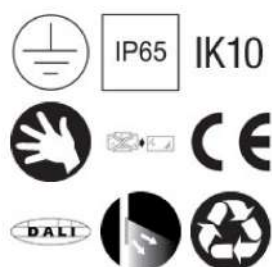
Rough-in housing:



Accessory code	D68/P1-CI
Technical description	KEA pathway concrete rough-in housing.



## KEA pathway(D68/P1-84HP-GR)



### GENERAL INFORMATION:

Item code	D68/P1-84HP-GR
Place installation	outdoor
Standard color	GR - graphite satin finish (similar to RAL 7022)
Variant color	DN - embossed white RAL 9003, AL - aluminum grey (similar to RAL 7040), CO - Corten
Environments	hallway residential lighting

### PHYSICAL :

Installation type	wall recessed wall mounted
Mounting type	surface with rough-in housing
Painting	Polyester powder coating, with a pluri-processed against corrosion (passed the exposure of over 1500 hours in a saline mist environment).
Body	Corrosion resistant die-cast aluminium body.

### DIMENSIONS:

A: Total width device (mm)	46
L: Total length device (mm)	240
H: Total height device (mm)	221
Weight (kg)	2,1

### OPTICAL SYSTEMS:

Emission	single emission
Opening beam	asymmetric
Optical System	Safety tempered glass.

### ENERGY SAVING:

This luminaire contains built-in LED lamps.  
The lamps cannot be changed in the luminaire.

### SOURCES :

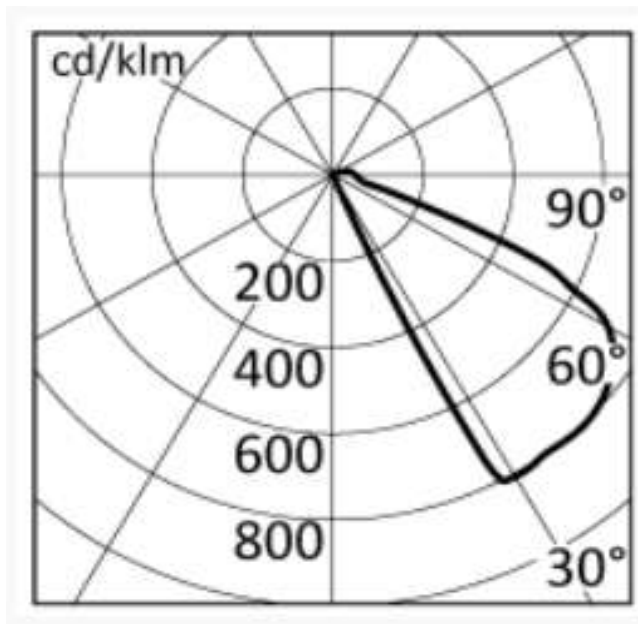
Source Type	LED
System Power	17,5 W
Sources Temperature Colour	4000K CRI>80
Output Flux	695 lm

**ELECTRICAL:**



Ballast type	Multipower electronic
Mounting ballast type	Integral
Line input	Cable entry: predisposed for daisy chain wiring, internal derivation terminal block screws 3x2,5mm <sup>2</sup> use only (EN 60598-1) cable type H07RN-F with diameter between 7 and 10mm.
Voltage	110-277V
Frequency	50-60Hz

**PHOTOMETRICS:**

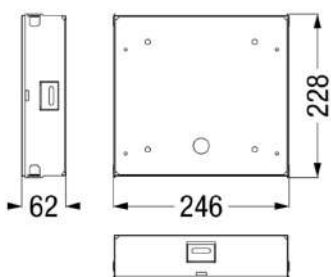


**OPTIONAL ACCESSORIES:**

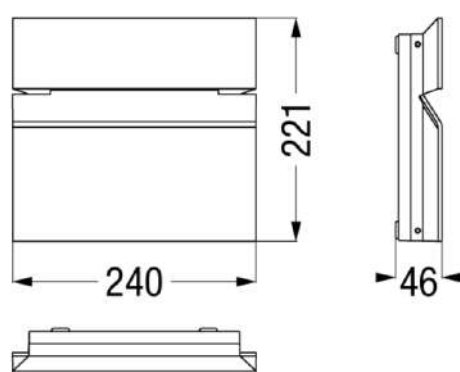
Rough-in housing



Accessory code	D68/P1-CI
Technical description	KEA pathway concrete rough-in housing.



## KEA pathway (D68/P1-93HP-GR)



### GENERAL INFORMATION:

Item code	D68/P1-93HP-GR
Place installation	outdoor
Note	DALI version on request.
Standard color	GR - graphite satin finish (similar to RAL 7022)
Variant color	DN - embossed white RAL 9003, AL - aluminum grey (similar to RAL 7040), CO - Corten
Environments	hallway, residential lighting

### PHYSICAL :

Installation type	wall recessed, wall mounted
Mounting type	surface with rough-in housing
Painting	Polyester powder coating, with a pluri-processed against corrosion (passed the exposure of over 1500 hours in a saline mist environment).
Body	Corrosion resistant die-cast aluminium body..

### DIMENSIONS:

A: Total width device (mm)	46
L: Total length device (mm)	240
H: Total height device (mm)	221
Weight (kg)	2,1

### OPTICAL SYSTEMS:

Emission	single emission
Opening beam	asymmetric
Optical System	Safety tempered glass.

### ENERGY SAVING:

This luminaire contains builtin LED lamps.  
The lamps cannot be changed in the luminaire.

### SOURCES :

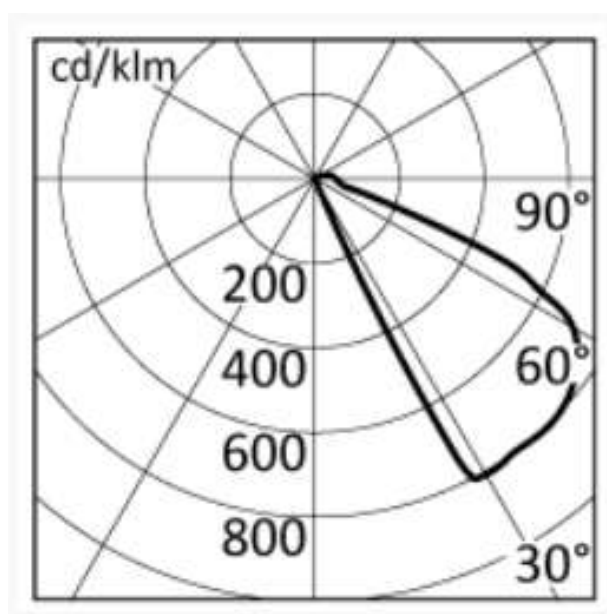
Source Type	LED
System Power	17,5 W
Sources Temperature Colour	3000K CRI>90
Output Flux	485 lm

**ELECTRICAL:**



Ballast type	Multipower electronic
Mounting ballast type	Integral
Line input	Cable entry: predisposed for daisy chain wiring, internal derivation terminal block screws 3x2,5mm <sup>2</sup> use only (EN 60598-1) cable type H07RN-F with diameter between 7 and 10 mm.
Voltage	110-277V
Frequency	50-60Hz

**PHOTOMETRICS:**

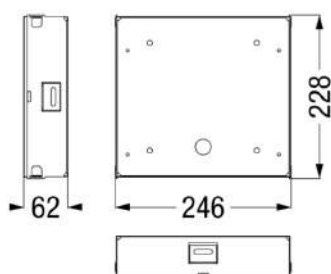


**OPTIONAL ACCESSORIES:**

Rough-in housing

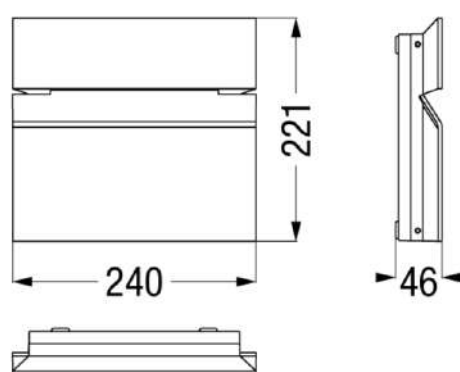
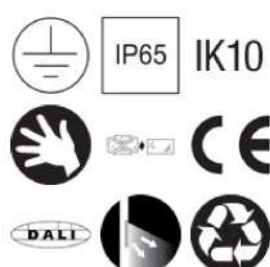


Accessory code	D68/P1-CI
Technical description	KEA pathway concrete rough-in housing.





## KEA pathway (D68/P1-84-DD-GR)



### GENERAL INFORMATION:

Item code	<b>D68/P1-84-DD-GR</b>
Place installation	outdoor
Standard color	GR - graphite satin finish (similar to RAL 7022)
Variant color	DN - embossed white RAL 9003, AL - aluminum grey (similar to RAL 7040), CO - Corten
Environments	hallway, residential lighting

### PHYSICAL :

Installation type	wall recessed wall mounted
Mounting type	surface with rough-in housing
Painting	Polyester powder coating, with a pluri-processed against corrosion (passed the exposure of over 1500 hours in a saline mist environment).
Body	Corrosion resistant die-cast aluminium body.

### DIMENSIONS:

A: Total width device (mm)	46
L: Total length device (mm)	240
H: Total height device (mm)	221
Weight (kg)	2,1

### OPTICAL SYSTEMS:

Emission	single emission
Opening beam	asymmetric
Optical System	Safety tempered glass.

### ENERGY SAVING:

This luminaire contains built-in LED lamps.  
The lamps cannot be changed in the luminaire.

### SOURCES :

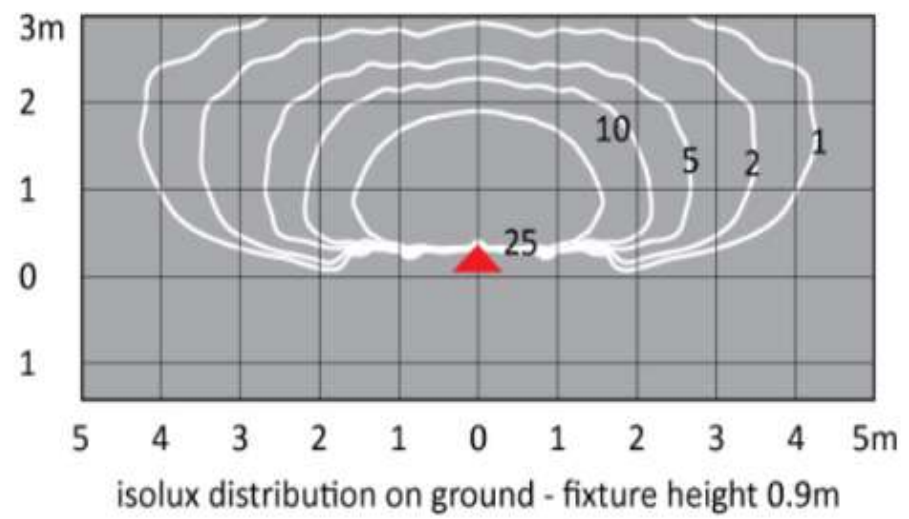
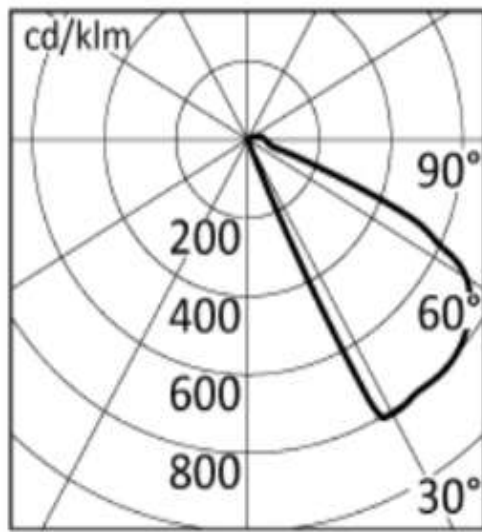
Source Type	LED
System Power	9,5 W
Sources Temperature Colour	4000K CRI>80
Output Flux	340 lm

**ELECTRICAL:**



Ballast type	Electronic with dimmer DALI
Mounting ballast type	Integral
Line input	Cable entry: predisposed for daisy chain wiring, internal derivation terminal block screws 5x2,5mm <sup>2</sup> use only (EN 60598-1) cable type H07RN-F with diameter between 6 and 12 mm.
Voltage	110-277V
Frequency	50-60Hz

**PHOTOMETRICS:**

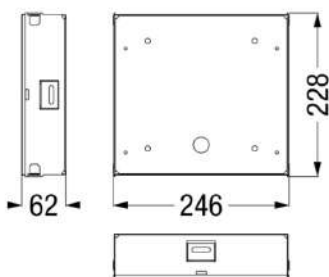


**OPTIONAL ACCESSORIES:**

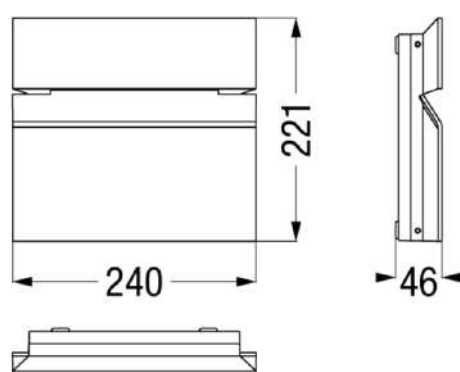
Rough-in housing



Accessory code	D68/P1-CI
Technical description	KEA pathway concrete rough-in housing.



## KEA pathway (D68/P1-93-DD-GR)



### GENERAL INFORMATION:

Item code	D68/P1-93-DD-GR
Place installation	outdoor
Standard color	GR - graphite satin finish (similar to RAL 7022)
Variant color	DN - embossed white RAL 9003, AL - aluminum grey (similar to RAL 7040), CO - Corten
Environments	hallway, residential lighting

### PHYSICAL :

Installation type	wall recessed, wall mounted
Mounting type	surface with rough-in housing
Painting	Polyester powder coating, with a pluri-processed against corrosion (passed the exposure of over 1500 hours in a saline mist environment).
Body	Corrosion resistant die-cast aluminium body.

### DIMENSIONS:

A: Total width device (mm)	46
L: Total length device (mm)	240
H: Total height device (mm)	221
Weight (kg)	2,1

### OPTICAL SYSTEMS:

Emission	single emission
Opening beam	asymmetric
Optical System	Safety tempered glass.

### ENERGY SAVING:

This luminaire contains builtin LED lamps.  
The lamps cannot be changed in the luminaire.

### SOURCES :

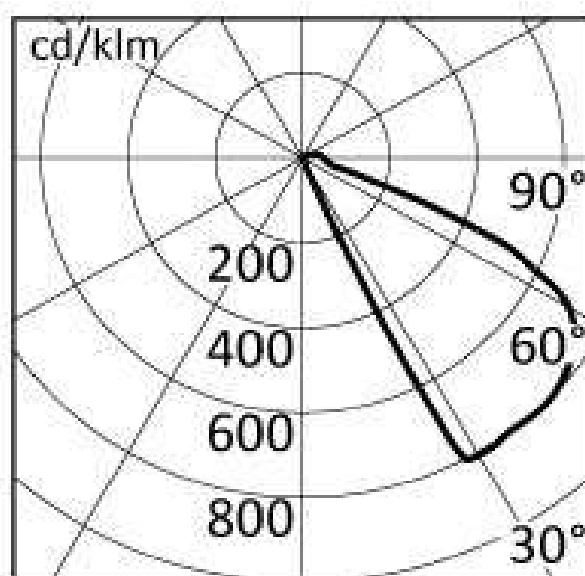
Source Type	LED
System Power	9,5 W
Sources Temperature Colour	3000K CRI>90
Output Flux	270 lm

**ELECTRICAL:**



Ballast type	Electronic with dimmer DALI
Mounting ballast type	Integral
Line input	Cable entry: predisposed for daisy chain wiring, internal derivation terminal block screws 5x2,5mm <sup>2</sup> use only (EN 60598-1) cable type H07RN-F with diameter between 6 and 12 mm.
Voltage	110-277V
Frequency	50-60Hz

**PHOTOMETRICS:**



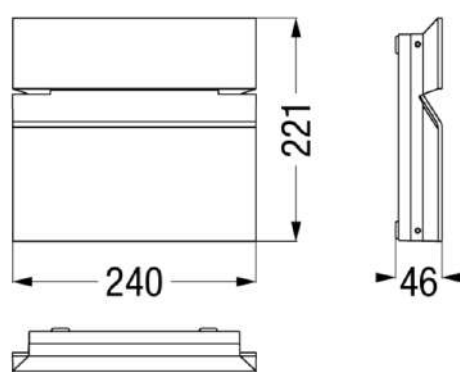
**OPTIONAL ACCESSORIES:**

Rough-in housing:



Accessory code	D68/P1-CI
Technical description	KEA pathway concrete rough-in housing.

## KEA pathway (D68/P1-84HP-DD-GR)



### GENERAL INFORMATION:

Item code	<b>D68/P1-84HP-DD-GR</b>
Place installation	outdoor
Standard color	GR - graphite satin finish (similar to RAL 7022)
Variant color	DN - embossed white RAL 9003, AL - aluminum grey (similar to RAL 7040), CO - Corten
Environments	hallway, residential lighting

### PHYSICAL :

Installation type	wall recessed, wall mounted
Mounting type	surface with rough-in housing
Painting	Polyester powder coating, with a pluri-processed against corrosion (passed the exposure of over 1500 hours in a saline mist environment).
Body	Corrosion resistant die-cast aluminium body.

### DIMENSIONS:

A: Total width device (mm)	46
L: Total length device (mm)	240
H: Total height device (mm)	221
Weight (kg)	2,1

### OPTICAL SYSTEMS:

Emission	single emission
Opening beam	asymmetric
Optical System	Safety tempered glass.

### ENERGY SAVING:

This luminaire contains builtin LED lamps.  
The lamps cannot be changed in the luminaire.

### SOURCES :

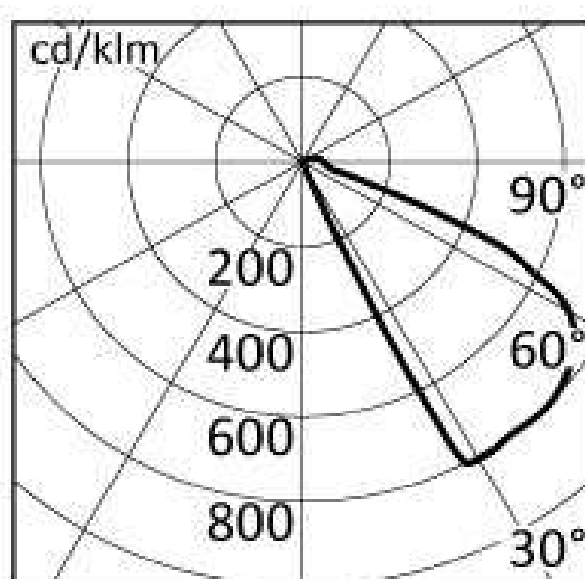
Source Type	LED
System Power	17,5 W
Sources Temperature Colour	4000K CRI>80
Output Flux	695 lm

**ELECTRICAL:**



Ballast type	Electronic with dimmer DALI
Mounting ballast type	Integral
Line input	Cable entry: predisposed for daisy chain wiring, internal derivation terminal block screws 5x2,5mm <sup>2</sup> use only (EN 60598-1) cable type H07RN-F with diameter between 6 and 12 mm.
Voltage	110-277V
Frequency	50-60Hz

**PHOTOMETRICS:**



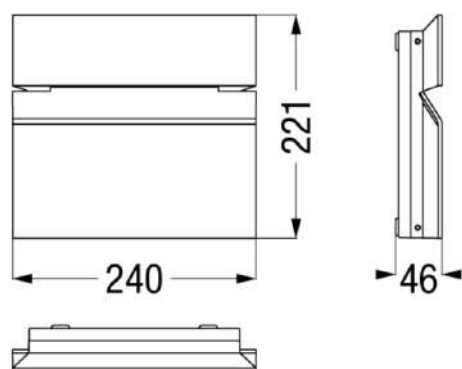
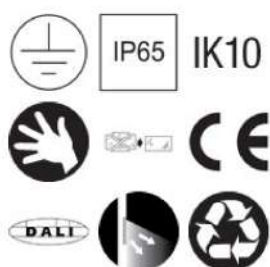
**OPTIONAL ACCESSORIES:**

Rough-in housing:



Accessory code	D68/P1-CI
Technical description	KEA pathway concrete rough-in housing.

## KEA pathway (D68/P1-93HP-DD-GR)



### GENERAL INFORMATION:

Item code	D68/P1-93HP-DD-GR
Place installation	outdoor
Standard color	GR - graphite satin finish (similar to RAL 7022)
Variant color	DN - embossed white RAL 9003, AL - aluminum grey (similar to RAL 7040), CO - Corten
Environments	hallway, residential lighting

### PHYSICAL :

Installation type	low pole/bollard
Mounting type	ground surface
Painting	Polyester powder coating, with a pluri-processed against corrosion (passed the exposure of over 1500 hours in a saline mist environment).
Body	Corrosion resistant die-cast aluminium body.

### DIMENSIONS:

A: Total width device (mm)	46
L: Total length device (mm)	240
H: Total height device (mm)	221
Weight (kg)	2,1

### OPTICAL SYSTEMS:

Emission	single emission
Opening beam	asymmetric
Optical System	Safety tempered glass.

### ENERGY SAVING:

This luminaire contains builtin LED lamps.  
The lamps cannot be changed in the luminaire.

### SOURCES :

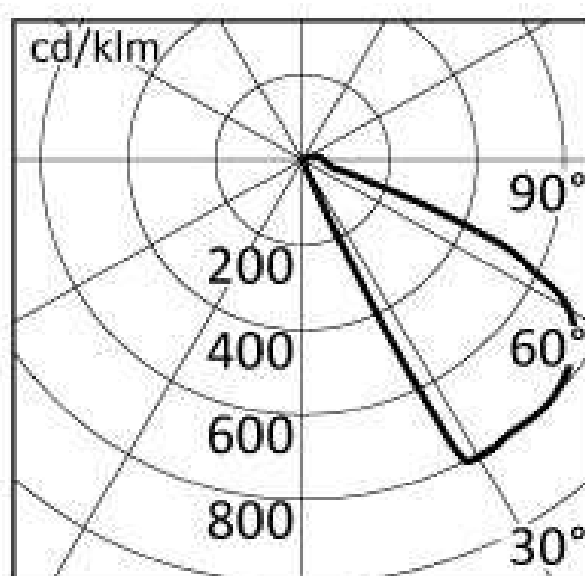
Source Type	LED
System Power	17,5 W
Sources Temperature Colour	3000K CRI>90
Output Flux	485 lm

**ELECTRICAL:**



Ballast type	Electronic with dimmer DALI
Mounting ballast type	Integral
Line input	Cable entry: predisposed for daisy chain wiring, internal derivation terminal block screws 5x2,5mm <sup>2</sup> use only (EN 60598-1) cable type H07RN-F with diameter between 6 and 12 mm.
Voltage	110-277V
Frequency	50-60Hz

**PHOTOMETRICS:**



**OPTIONAL ACCESSORIES:**

Rough-in housing:



Accessory code	D68/P1-CI
Technical description	KEA pathway concrete rough-in housing.