

H(m)	φ(m)	Lux Medi
5	30.3	0
4	24.2	0
3	18.2	0
2	12.1	0
1	6.1	0



IP 65 IK 10

### CONSTRUCTIVE & DIMENSIONAL:

Application field:	Landscaped areas, Driveways, Pathways
Construction material:	Stainless steel AISI 316L, Extruded aluminum EN AW-6060 T5 high resistance to oxidation
External screws:	Stainless steel A4-70 treated with highly antioxidant water-repellent lubricating solution
Diameter:	165mm(6,49")
Height:	2400mm(94,48")

### ELECTRICAL:

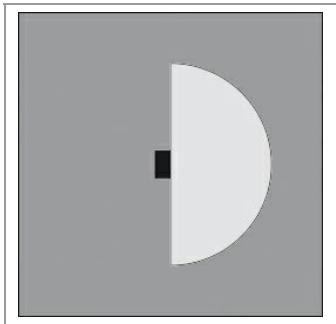
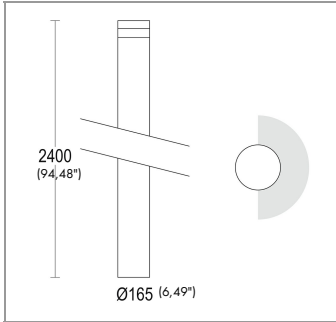
Description and Model Code:	GH1418.CGXT300EN GH1418.CGX.T	1 x 26 W LED 3000 K CRI>90 2967 lm
	GH1418.CGXT400EN GH1418.CHX.T	1 x 26 W LED 4000 K CRI>90 3012 lm
	GH1418.ECXT300EN GH1418.ECX.T	1 x 32 W LED 3000 K CRI>90 3725 lm
	GH1418.ECXT400EN GH1418.EDX.T	1 x 32 W LED 4000 K CRI>90 3781 lm
Operating Power	110-277 V / 50-60 Hz	
Number of heads	1	
Number of circuits	1	
Driver positioning	Integral	
Control gear type	Electronic	
Cable entry	Fixture supplied with pre-wired cable H05RN-F	
Emergency kit	Not available	

### OPTICAL:

Beam type	Bollard [180° emission]
Beam angle [°]	180°
Light distribution	Symmetric
Beam directionability	Fixed
Diffuser material	Polycarbonate
Diffuser finish	Clear
Reflector material	Thermopolymer with high vacuum deposited aluminium

### LIGHTING SOURCE for model GH1418.CGXT300EN GH1418.CGX.T

Light source	LED
Power [W]	26 W
LED voltage range [V]	31.2-36.8V
Courrent	700 mA
ZVEI - Led Type	COB
Color temperature	3000 K
Binning	Step MacAdam 3
Color rendering index	CRI>90
Nominal LED emission [Lm]	2967 lm
Light source	Included
Ambient temperature operating range [°C]	-20 °C ÷ +35 °C



H(m)	φ(m)	Lux Medi
5	30.3	0
4	24.2	0
3	18.2	0
2	12.1	0
1	6.1	0



IP 65 IK 10

### LIGHTINGSOURCE formodel GH1418.CGXT400EN GH1418.CHX.T

Light source	LED
Power [W]	26 W
LED voltage range [V]	31.2-36.8V
Courrent	700 mA
ZVEI - Led Type	COB
Color temperature	4000 K
Binning	Step MacAdam 3
Color rendering index	CRI>90
Nominal LED emission [Lm]	3012 lm
Light source	Included
Ambient temperature operating range [°C]	-20 °C ÷ +35 °C

### LIGHTINGSOURCE formodel GH1418.ECXT300EN GH1418.ECX.T

Light source	LED
Power [W]	32 W
LED voltage range [V]	31.2-36.8V
Courrent	900 mA
ZVEI - Led Type	COB
Color temperature	3000 K
Binning	Step MacAdam 3
Color rendering index	CRI>90
Nominal LED emission [Lm]	3725 lm
Light source	Included
Ambient temperature operating range [°C]	-20 °C ÷ +35 °C

### LIGHTINGSOURCE formodel GH1418.ECXT400EN GH1418.EDX.T

Light source	LED
Power [W]	32 W
LED voltage range [V]	31.2-36.8V
Courrent	900 mA
ZVEI - Led Type	COB
Color temperature	4000 K
Binning	Step MacAdam 3
Color rendering index	CRI>90
Nominal LED emission [Lm]	3781 lm
Light source	Included
Ambient temperature operating range [°C]	-20 °C ÷ +35 °C

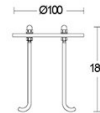
### ACCESSORIES:



IP 68 connector for through wiring AC279

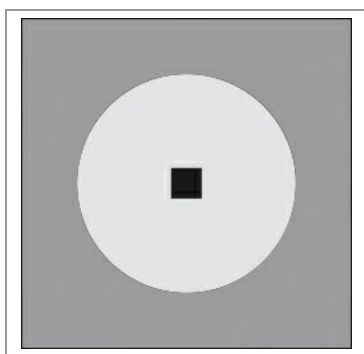
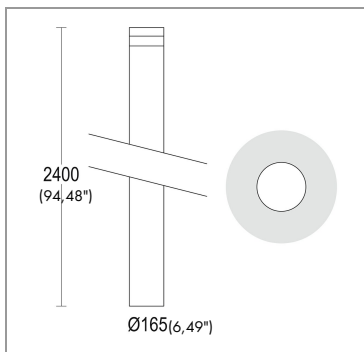


IP 68 fast connector Small AC204



plated steel anchorage Maxitondo / Maxiquadro AC254





H(m)	φ(m)	Lux Medi
5	63.1	0
4	50.5	0
3	37.9	0
2	25.3	1
1	12.6	3


**CONSTRUCTIVE & DIMENSIONAL:**

Application field:	Landscaped areas, Driveways, Pathways
Construction material:	Stainless steel AISI 316L, Extruded aluminum EN AW-6060 T5 high resistance to oxidation
External screws:	Stainless steel A4-70 treated with highly antioxidant water-repellent lubricating solution
Diameter:	165mm(6,49")
Height:	2400mm(94,48")

**ELECTRICAL:**

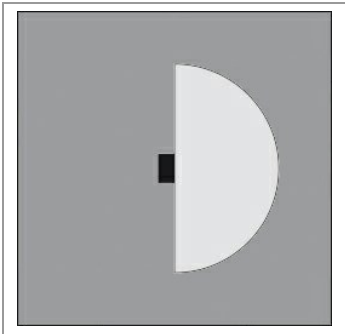
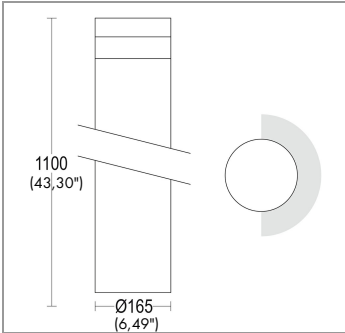
Description and Model Code:	GH1419.CGXT300EN GH1419.CGX.T	1 x 26 W LED 3000 K CRI>90 2967 lm
	GH1419.CGXT400EN GH1419.CHX.T	1 x 26 W LED 4000 K CRI>90 3012 lm
	GH1419.ECXT300EN GH1419.ECX.T	1 x 32 W LED 3000 K CRI>90 3725 lm
	GH1419.ECXT400EN GH1419.EDX.T	1 x 32 W LED 4000 K CRI>90 3781 lm
Operating Power	210-277 V / 50-60 Hz	
Number of heads	1	
Number of circuits	1	
Driver positioning	Integral	
Control gear type	Electronic	
Cable entry	Fixture supplied with pre-wired cable H05RN-F	
Emergency kit	Not available	

**OPTICAL:**

Beam type	Bollard [360° emission]
Beam angle [°]	360°
Light distribution	Symmetric
Beam directionability	Fixed
Diffuser material	Polycarbonate
Diffuser finish	Clear
Reflector material	Thermopolymer with high vacuum deposited aluminium

**LIGHTING SOURCE for model GH1419.CGXT300EN GH1419.CGX.T**

Light source	LED
Power [W]	26 W
LED voltage range [V]	31.2-36.8V
Current	700 mA
ZVEI - Led Type	COB
Color temperature	3000 K
Binning	Step MacAdam 3
Color rendering index	CRI>90
Nominal LED emission [Lm]	2967 lm
Light source	Included
Ambient temperature operating range [°C]	-20 °C ÷ +35 °C



H(m)	φ(m)	Lux Medi
5	30.3	0
4	24.2	0
3	18.2	0
2	12.1	0
1	6.1	0



IP 65 IK 10

FOR MODELS: GH1200.FAXT300EN 1200.GNX.T  
GH1200.FAXT400EN GH1200.GPX.T

### LIGHTING SOURCE for model GH1419.CGXT400EN GH1419.CHX.T

Light source	LED
Power [W]	26 W
LED voltage range [V]	31.2-36.8V
Current	700 mA
ZVEI - Led Type	COB
Color temperature	4000 K
Binning	Step MacAdam 3
Color rendering index	CRI>90
Nominal LED emission [Lm]	3012 lm
Light source	Included
Ambient temperature operating range [°C]	-20 °C ÷ +35 °C

### LIGHTING SOURCE for model GH1419.ECXT300EN GH1419.ECX.T

Light source	LED
Power [W]	32 W
LED voltage range [V]	31.2-36.8V
Current	900 mA
ZVEI - Led Type	COB
Color temperature	3000 K
Binning	Step MacAdam 3
Color rendering index	CRI>90
Nominal LED emission [Lm]	3725 lm
Light source	Included
Ambient temperature operating range [°C]	-20 °C ÷ +35 °C

### LIGHTING SOURCE for model GH1419.ECXT400EN GH1419.EDX.T

Light source	LED
Power [W]	32 W
LED voltage range [V]	31.2-36.8V
Current	900 mA
ZVEI - Led Type	COB
Color temperature	4000 K
Binning	Step MacAdam 3
Color rendering index	CRI>90
Nominal LED emission [Lm]	3781 lm
Light source	Included
Ambient temperature operating range [°C]	-20 °C ÷ +35 °C

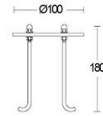
### ACCESSORIES:



IP 68 connector for through wiring AC279



IP 68 fast connector Small AC204

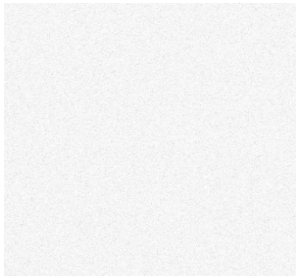


plated steel anchorage Maxitondo / Maxiquadro AC254





**FINISH CODE:**



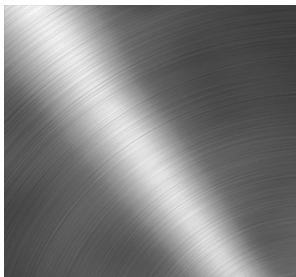
**.01 WHITE**



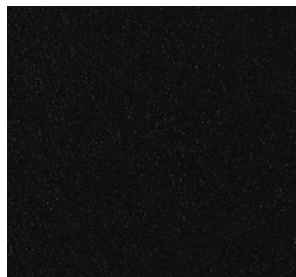
**.05 ANTHRACITE GREY**



**.19 LIGHT GREY**



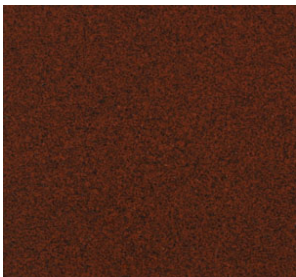
**.15 STAINLESS STEEL**



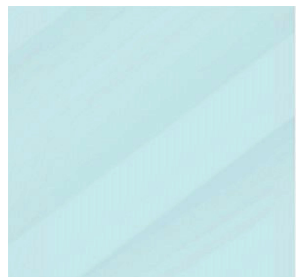
**.02 BLACK**



**.32 OAK EFFECT**



**.45 RUST**



**.34 GLASS**



**.43 CONCRETE EFFECT**