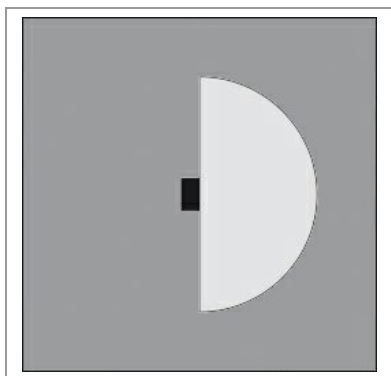
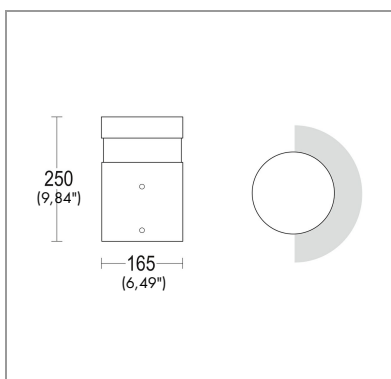




CONSTRUCTIVE & DIMENSIONAL:

Application field:	Landscaped areas, Pathways, Driveways
Construction material:	Stainless steel AISI 316L, Extruded aluminum EN AW-6060 T5 high resistance to oxidation
External screws:	Stainless steel A4-70 treated with highly antioxidant water-repellent lubricating solution
Diameter:	165mm(6,49")
Height:	250mm(9,84")
Cord length [m]	0.5



ELECTRICAL:

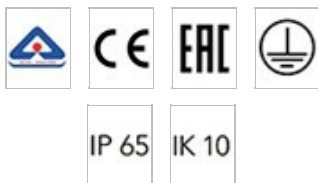
Description and Model Code:	GH1202.CGXT300EN GH1202.CGX.T	1 x 26 W LED 3000 K CRI>90 2967 lm
	GH1202.CGXT400EN GH1202.CHX.T	1 x 26 W LED 4000 K CRI>90 3012 lm
	GH1202.FAXT300EN GH1202.GNX.T	1 x 15 W LED 3000 K CRI>85 1350lm
	GH1202.FAXT400EN GH1202.GPX.T	1 x 15 W LED 4000 K CRI>85 1425 lm
Operating Power	110-277 V / 50-60 Hz	
Number of heads	1	
Number of circuits	1	
Driver positioning	Integral	
Control gear type	Electronic	
Cable entry	Fixture supplied with pre-wired cable H05RN-F	
Emergency kit	Not available	

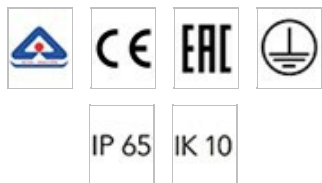
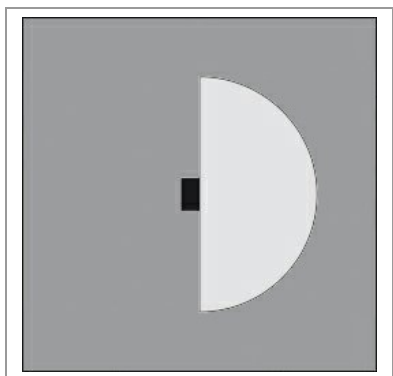
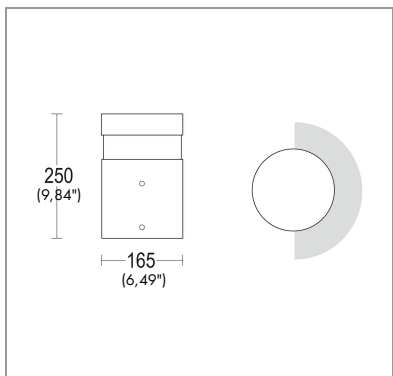
OPTICAL:

Beam type	Bollard [180° emission]
Beam angle [°]	180°
Light distribution	Symmetric
Beam directionability	Fixed
Diffuser material	Polycarbonate
Diffuser finish	Clear
Reflector material	Thermopolymer with high vacuum deposited aluminium

LIGHTING SOURCE for model GH1202.CGXT300EN GH1202.CGX.T

Light source	LED
Power [W]	26 W
LED voltage range [V]	31.2-36.8V
Current	700 mA
ZVEI - Led Type	COB
Color temperature	3000 K
Binning	Step MacAdam 3
Color rendering index	CRI>90
Nominal LED emission [lm]	2967 lm
Light source	Included
Ambient temperature operating range [°C]	-20 °C ÷ +35 °C





LIGHTING SOURCE for model GH1202.CGXT400EN GH1202.CHX.T

Light source	LED
Power [W]	26 W
LED voltage range [V]	31.2-36.8V
Current	700 mA
ZVEI - Led Type	COB
Color temperature	4000 K
Binning	Step MacAdam 3
Color rendering index	CRI>90
Nominal LED emission [Lm]	3012 lm
Light source	Included
Ambient temperature operating range [°C]	-20 °C ÷ +35 °C

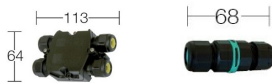
LIGHTING SOURCE for model GH1202.FAXT300EN GH1202.GNX.T

Light source	LED
Power [W]	15 W
ZVEI - Led Type	DOB
Color temperature	3000 K
Binning	CRI>85
Nominal LED emission [Lm]	1350 lm
Light source	Included
Ambient temperature operating range [°C]	-20 °C ÷ +35 °C

LIGHTING SOURCE for model GH1202.FAXT400EN GH1202.GPX.T

Light source	LED
Power [W]	15 W
ZVEI - Led Type	DOB
Color temperature	4000 K
Binning	CRI>85
Nominal LED emission [Lm]	1425 lm
Light source	Included
Ambient temperature operating range [°C]	-20 °C ÷ +35 °C

ACCESSORIES:



IP 68 connector for through wiring AC279 IP 68 fast connector Small AC204

FINISH CODE:

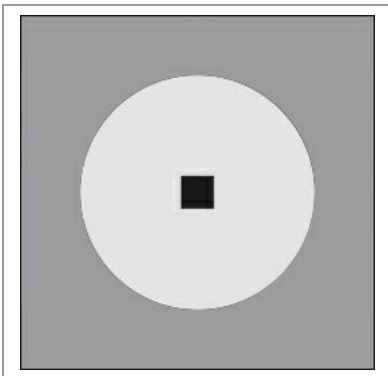
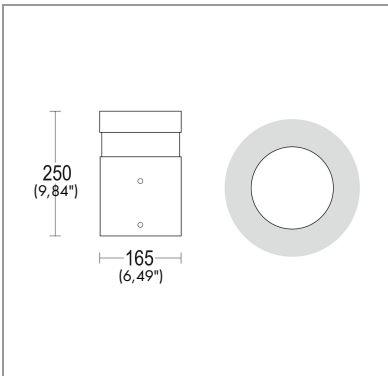
■ .05 Dark grey (matt) ■ .19 Light Grey





CONSTRUCTIVE & DIMENSIONAL:

Application field:	Landscaped areas, Pathways, Driveways
Construction material:	Stainless steel AISI 316L, Extruded aluminum EN AW-6060 T5 high resistance to oxidation
External screws:	Stainless steel A4-70 treated with highly antioxidant water-repellent lubricating solution
Diameter:	165mm(6,49")
Height:	250mm(9,84")



ELECTRICAL:

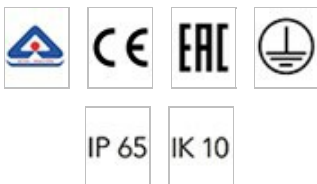
Description and Model Code:	GH1203.CGXT300EN GH1203.CGX.T	1 x 26 W LED 3000 K CRI>90 2967 lm
	GH1203.CGXT400EN GH1203.CHX.T	1 x 26 W LED 4000 K CRI>90 3012 lm
	GH1203.FAXT300EN GH1203.GNX.T	1 x 15 W LED 3000 K CRI>85 1350 lm
	GH1203.FAXT400EN GH1203.GPX.T	1 x 15 W LED 4000 K CRI>85 1425 lm
Operating Power	110-277 V / 50-60 Hz	
Number of heads	1	
Number of circuits	1	
Driver positioning	Integral	
Control gear type	Electronic	
Cable entry	Fixture supplied with pre-wired cable H05RN-F	
Emergency kit	Not available	

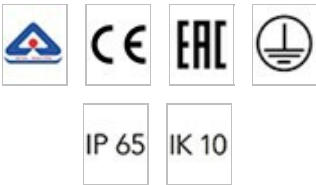
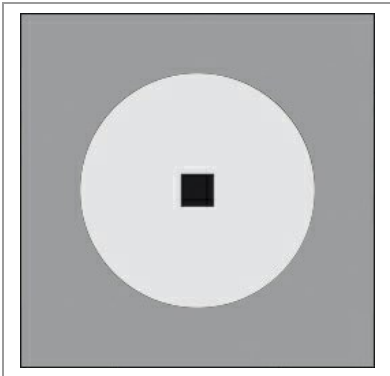
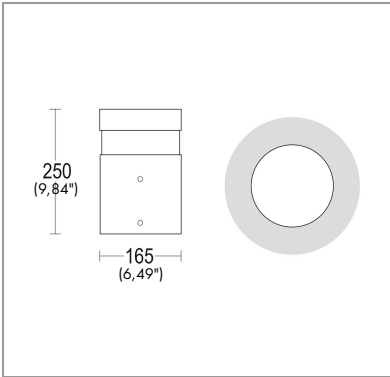
OPTICAL:

Beam type	Bollard [360° emission]
Beam angle [°]	360°
Light distribution	Symmetric
Beam directionability	Fixed
Diffuser material	Polycarbonate
Diffuser finish	Clear
Reflector material	Thermopolymer with high vacuum deposited aluminium

LIGHTING SOURCE for model GH1203.CGXT300EN ; $\theta = 7^\circ$; L'H

Light source	LED
Power [W]	26 W
LED voltage range [V]	31.2-36.8V
Current	700 mA
ZVEI - Led Type	COB
Color temperature	3000 K
Binning	Step MacAdam 3
Color rendering index	CRI>90
Nominal LED emission [Lm]	2967 lm
Light source	Included
Ambient temperature operating range [°C]	-20 °C ÷ +35 °C





LIGHTINGSOURCE formodel GH1203.CGXT400EN GH1203.CHX.T

Light source	LED
Power [W]	26 W
LED voltage range [V]	31.2-36.8V
Courrent	700 mA
ZVEI - Led Type	COB
Color temperature	4000 K
Binning	Step MacAdam 3
Color rendering index	CRI>90
Nominal LED emission [Lm]	3012 lm
Light source	Included
Ambient temperature operating range [°C]	-20 °C ÷ +35 °C

LIGHTINGSOURCE formodel GH1203.FAXT300EN GH1203.GNX.T

Light source	LED
Power [W]	15 W
ZVEI - Led Type	DOB
Color temperature	3000 K
Binning	CRI>85
Nominal LED emission [Lm]	1350 lm
Light source	Included
Ambient temperature operating range [°C]	-20 °C ÷ +35 °C

LIGHTINGSOURCE formodel GH1203.FAXT400EN GH1203.GPX.T

Light source	LED
Power [W]	15 W
ZVEI - Led Type	DOB
Color temperature	4000 K
Binning	CRI>85
Nominal LED emission [Lm]	1425 lm
Light source	Included
Ambient temperature operating range [°C]	-20 °C ÷ +35 °C

ACCESSORIES:



IP 68 connector for through wiring AC279

IP 68 fast connector Small AC204

FINISH CODE:

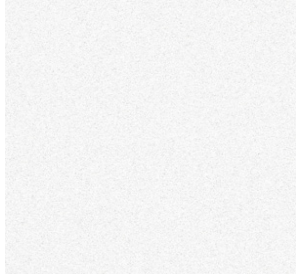
.05 Dark grey (matt)

.19 Light Grey

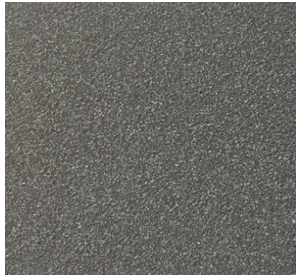




FINISH CODE:



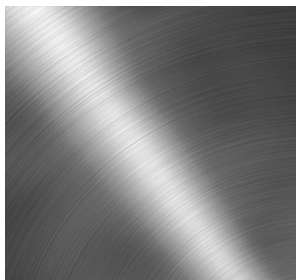
.01 WHITE



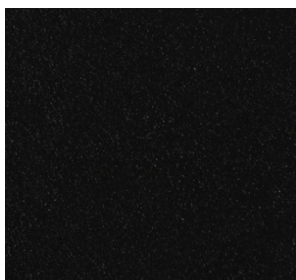
.05 ANTHRACITE GREY



.19 LIGHT GREY



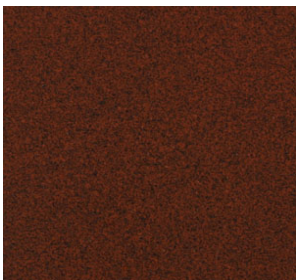
.15 STAINLESS STEEL



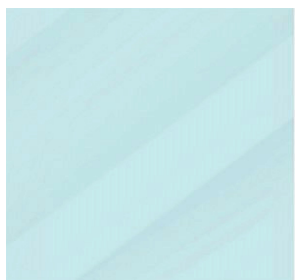
.02 BLACK



.32 OAK EFFECT



.45 RUST



.34 GLASS



.43 CONCRETE EFFECT