



## PRODUCT CODE:

GH1198.BRFT300EN  
1198.BRF.T

## CONSTRUCTIVE & DIMENSIONAL:

Application field: Walkways and driveways, Passageways, Cycle paths, Gardens, Squares  
 Construction material: Die-cast aluminum EN AB 44100 highly resistant to oxidation  
 External screws: Stainless steel A4-70 treated with highly antioxidant water-repellent lubricating solution  
 Length: 120mm(4,72")  
 Width: 120mm(4,72")  
 Height: 121mm(4,76")

## ELECTRICAL:

Description: 1 x 12 W LED 3000 K CRI>90 1469 lm  
 Operating Power: 110-277 V / 50-60 Hz  
 Number of heads: 1  
 Number of Circuits: 1  
 Driver positioning: Integral  
 Control gear type: Electronic  
 Cable entry: Fixture supplied with pre-wired cable H07RN8-F with plastic cable gland M20 Ø 7/13 mm  
 Second cable entry: Available

## OPTICAL:

Beam type: Bollard 1 light  
 Beam angle: 36°  
 Light distribution: Symmetric  
 Beam directionability: Fixed  
 Diffuser material: Sodium calcium tempered glass 3mm  
 Diffuser finish: Clear

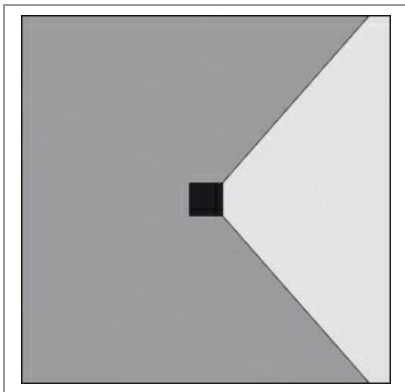
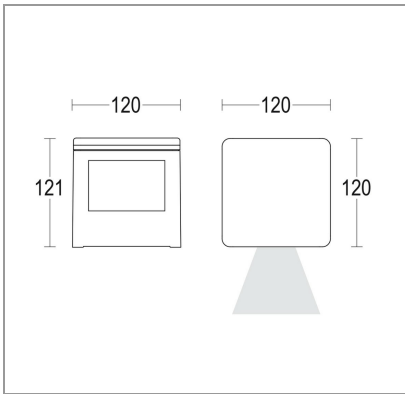
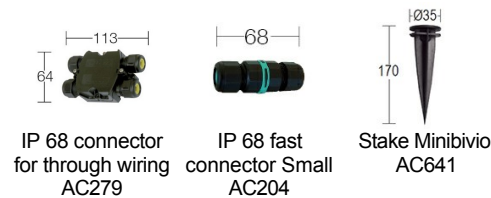
## LIGHTING SOURCE:

Light source: LED  
 Power: 12 W  
 LED voltage range: 31.2-36.8V  
 Courrent: 350 mA  
 ZVEI - Led Type: LED  
 Color temperature: 3000 K  
 Binning: Step MacAdam 3  
 Color rendering index: CRI>90  
 Nominal LED emission: 1469 lm  
 Light source: Included  
 Ambient temperature operating range: -20 °C ÷ +35 °C

## FINISH CODE:

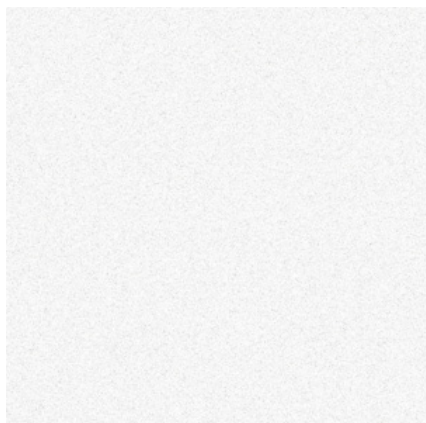
.05 Dark grey (matt)      .19 Light Grey

## ACCESSORIES:



H(m)	φ(m)	Lux Medi
5	2.9	62
4	2.3	97
3	1.7	173
2	1.1	389
1	0.6	1555





**.01 WHITE**



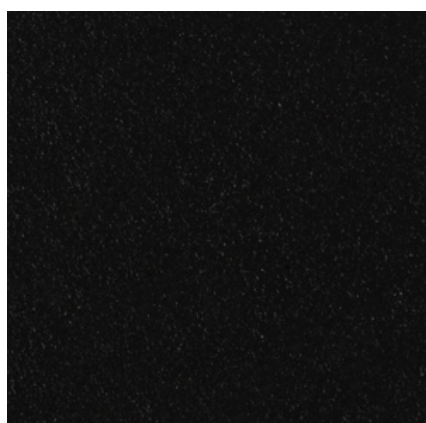
**.05 ANTHRACITE GREY**



**.19 LIGHT GREY**



**.15 STAINLESS STEEL**



**.02 BLACK**



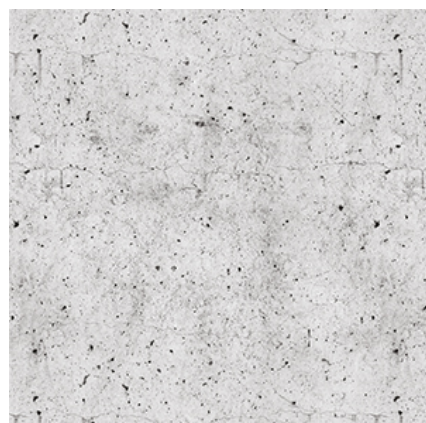
**.32 OAK EFFECT**



**.45 RUST**



**.34 GLASS**



**.43 CONCRETE EFFECT**