



PRODUCT CODE:

GH1198.BRFT400EN
1198.BSFT

CONSTRUCTIVE & DIMENSIONAL:

Application field: Walkways and driveways, Passageways, Cycle paths, Gardens, Squares
 Construction material: Die-cast aluminum EN AB 44100 highly resistant to oxidation
 External screws: Stainless steel A4-70 treated with highly antioxidant water-repellent lubricating solution
 Length: 120mm(4,72")
 Width: 120mm(4,72")
 Height: 121mm(4,76")

ELECTRICAL:

Description: 1 x 12 W LED 4000 K CRI>90 1492 lm
 Operating Power: 110-277 V / 50-60 Hz
 Number of heads: 1
 Number of Circuits: 1
 Driver positioning: Integral
 Control gear type: Electronic
 Cable entry: Fixture supplied with pre-wired cable H07RN8-F with plastic cable gland M20 Ø 7/13 mm
 Second cable entry: Available

OPTICAL:

Beam type: Bollard 1 light
 Beam angle: 36°
 Light distribution: Symmetric
 Beam directionability: Fixed
 Diffuser material: Sodium calcium tempered glass 3mm
 Diffuser finish: Clear

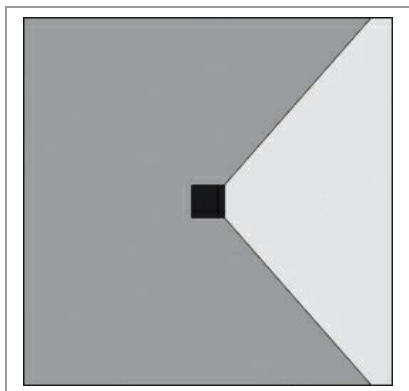
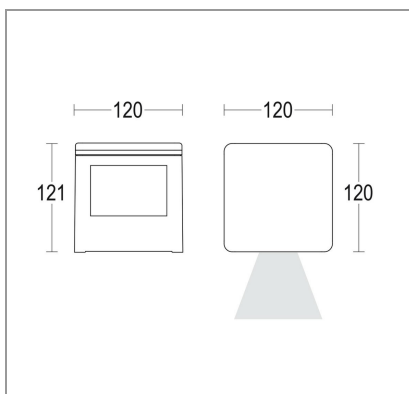
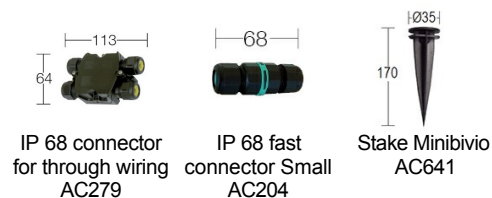
LIGHTING SOURCE:

Light source: LED
 Power: 12 W
 LED voltage range: 31.2-36.8V
 Courrent: 350 mA
 ZVEI - Led Type: LED
 Color temperature: 4000 K
 Binning: Step MacAdam 3
 Color rendering index: CRI>90
 Nominal LED emission: 1492 lm
 Light source: Included
 Ambient temperature operating range: -20 °C ÷ +35 °C

FINISH CODE:

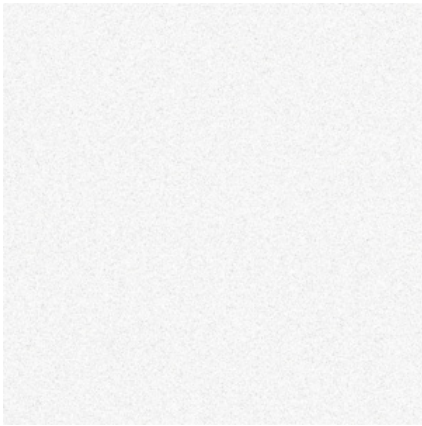
.05 Dark grey (matt) .19 Light Grey

ACCESSORIES:



H(m)	φ(m)	Lux Medi
5	2.9	63
4	2.3	99
3	1.7	176
2	1.1	395
1	0.6	1580





.01 WHITE



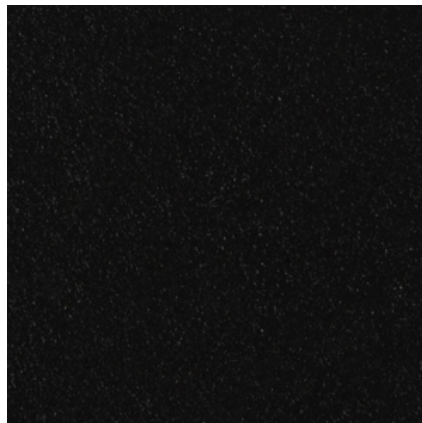
.05 ANTHRACITE GREY



.19 LIGHT GREY



.15 STAINLESS STEEL



.02 BLACK



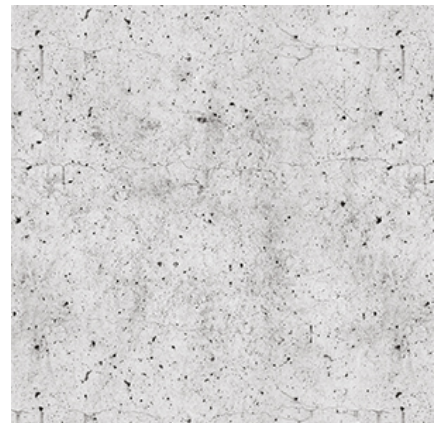
.32 OAK EFFECT



.45 RUST



.34 GLASS



.43 CONCRETE EFFECT