

H(m)	φ(m)	Lux Medi
5	16.3	0
4	13.1	0
3	9.8	0
2	6.5	0
1	3.3	0



CONSTRUCTIVE & DIMENSIONAL:

Application field: Walkways and driveways, Passageways, Cycle paths, Gardens, Squares
 Construction material: Stainless steel AISI 316L, Extruded aluminum EN AW-6060 T5 high resistance to oxidation
 External screws: Stainless steel A4-70 treated with highly antioxidant water-repellent lubricating solution
 Diameter: 100mm(3,93")
 Height: 900mm(35,43")

ELECTRICAL FOR MODEL:

GH1450.LVXT300EN
1450.LVX.T

Description: 1 x 8 W LED 3000 K CRI>85 650 lm
 Operating Power: 110-277 V / 50-60 Hz
 Number of heads: 1
 Number of Circuits: 1
 Driver positioning: Integral
 Control gear type: Electronic
 Cable entry: Fixture supplied with pre-wired cable H05RN-F
 Emergency kit: Not available

ELECTRICAL FOR MODEL:

GH1450.LVXT400EN
1450.LZX.T

Description: 1 x 8 W LED 4000 K CRI>85 690 lm
 Operating Power: 110-277 V / 50-60 Hz
 Number of heads: 1
 Number of Circuits: 1
 Driver positioning: Integral
 Control gear type: Electronic
 Cable entry: Fixture supplied with pre-wired cable H05RN-F 0.5m
 Emergency kit: Not available

OPTICAL:

Beam type: Bollard [180° emission]
 Beam angle [°]: 180°
 Light distribution: Symmetric
 Beam directionability: Fixed
 Diffuser material: Polycarbonate
 Diffuser finish: Clear
 Reflector material: Thermopolymer with high vacuum deposited aluminium

LIGHTING SOURCE:

Light source: LED
 Power: 8 W
 ZVEI - Led Type: DOB
 Color temperature: 3000K for model GH1450.LVXT300EN 1450.LVX.T
 4000K for model GH1450.LVXT400EN 1450.LZX.T
 Color rendering index: CRI>85
 Nominal LED emission: 650 lm for model GH1450.LVXT300EN 1450.LVX.T
 690 lm for model GH1450.LVXT400EN 1450.LZX.T
 Light source: Included
 Ambient temperature operating range: -20 °C ÷ +35 °C

FINISH CODE:

.05 Dark grey (matt) .19 Light Grey

ACCESSORIES:



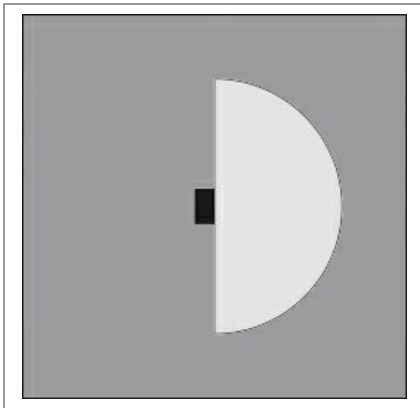
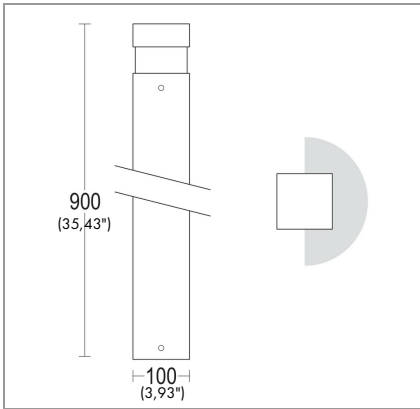
IP 68 connector for through wiring
AC279



IP 68 fast connector Small
AC204



plated steel anchorage
Quadro / Tondo / Rettangolo
AC251



H(m)	φ(m)	Lux Medi
5	16.3	0
4	13.1	0
3	9.8	0
2	6.5	0
1	3.3	0



CONSTRUCTIVE & DIMENSIONAL:

Application field: Walkways and driveways, Passageways, Cycle paths, Gardens, Squares
 Construction material: Stainless steel AISI 316L, Extruded aluminum EN AW-6060 T5 high resistance to oxidation
 External screws: Stainless steel A4-70 treated with highly antioxidant water-repellent lubricating solution
 Diameter: 100mm(3,93")
 Height: 900mm(35,43")

ELECTRICAL FOR MODEL:

GH1450.BRXT300EN
1450.BRX.T

Description: 1 x 12 W LED 3000 K CRI>90 1469 lm
 Operating Power: 110-277 V / 50-60 Hz
 Number of heads: 1
 Number of Circuits: 1
 Driver positioning: Integral
 Control gear type: Electronic
 Cable entry: Fixture supplied with pre-wired cable H05RN-F
 Emergency kit: Not available

ELECTRICAL FOR MODEL:

GH1450.BRXT400EN
1450.BSX.T

Description: 1 x 12 W LED 4000 K CRI>90 1492 lm
 Operating Power: 110-277 V / 50-60 Hz
 Number of heads: 1
 Number of Circuits: 1
 Driver positioning: Integral
 Control gear type: Electronic
 Cable entry: Fixture supplied with pre-wired cable H05RN-F 0.5m
 Emergency kit: Not available

OPTICAL:

Beam type: Bollard [180° emission]
 Beam angle [°] Light: 180°
 distribution: Beam: Symmetric
 directionability: Fixed
 Diffuser material: Polycarbonate
 Diffuser finish: Clear
 Reflector material: Thermopolymer with high vacuum deposited aluminium

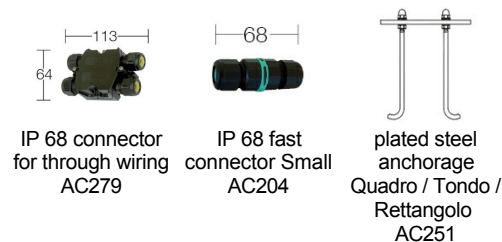
LIGHTING SOURCE:

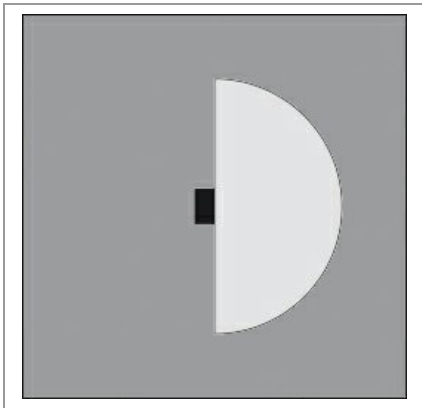
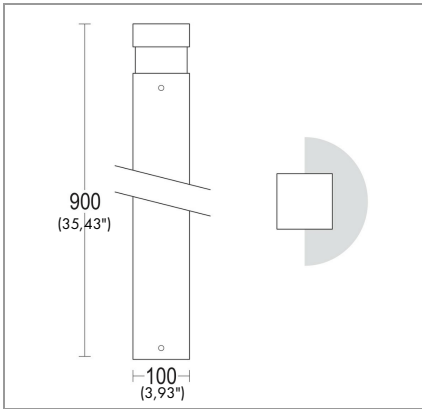
Light source: LED
 Power: 12 W
 LED voltage range [V]: 31.2-36.8V
 Courrent: 350 mA
 ZVEI - Led Type: LED
 Binning: Step MacAdam 3
 Color temperature: 3000K for model GH1450.BRXT300EN 1450.BRX.T
 4000K for model GH1450.BRXT400EN 1450.BSX.T
 Color rendering index: CRI>90
 Nominal LED emission: 1469 lm for model GH1450.BRXT300EN 1450.BRX.T
 1492 lm for model GH1450.BRXT400EN 1450.BSX.T
 Light source: Included
 Ambient temperature operating range: -20 °C ÷ +35 °C

FINISH CODE:

■ .05 Dark grey (matt) ■ .19 Light Grey

ACCESSORIES:





H(m)	φ(m)	Lux Medi
5	16.3	0
4	13.1	0
3	9.8	0
2	6.5	0
1	3.3	0



CONSTRUCTIVE & DIMENSIONAL:

Application field: Walkways and driveways, Passageways, Cycle paths, Gardens, Squares
 Construction material: Stainless steel AISI 316L, Extruded aluminum EN AW-6060 T5 high resistance to oxidation
 External screws: Stainless steel A4-70 treated with highly antioxidant water-repellent lubricating solution
 Diameter: 100mm(3,93")
 Height: 900mm(35,43")

ELECTRICAL FOR MODEL:

GH1450.CGXT300EN
1450.CGX.T

Description: 1 x 26 W LED 3000 K CRI>90 2712 lm
 Operating Power: 110-277 V / 50-60 Hz
 Number of heads: 1
 Number of Circuits: 1
 Driver positioning: Integral
 Control gear type: Electronic
 Cable entry: Fixture supplied with pre-wired cable H05RN-F
 Emergency kit: Not available

ELECTRICAL FOR MODEL:

GH1450.CGXT400EN
1450.CHX.T

Description: 1 x 26 W LED 4000 K CRI>90 2755 lm
 Operating Power: 110-277 V / 50-60 Hz
 Number of heads: 1
 Number of Circuits: 1
 Driver positioning: Integral
 Control gear type: Electronic
 Cable entry: Fixture supplied with pre-wired cable H05RN-F 0.5m
 Emergency kit: Not available

OPTICAL:

Beam type: Bollard [180° emission]
 Beam angle [°] Light: 180°
 distribution: Beam: Symmetric
 directionability: Fixed
 Diffuser material: Polycarbonate
 Diffuser finish: Clear
 Reflector material: Thermopolymer with high vacuum deposited aluminium

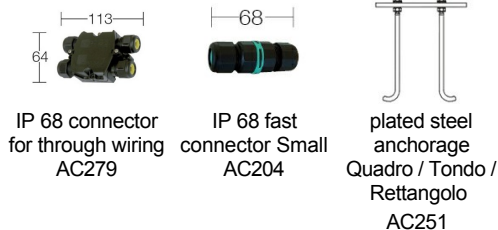
LIGHTING SOURCE:

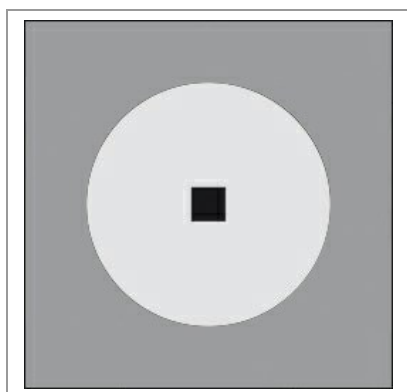
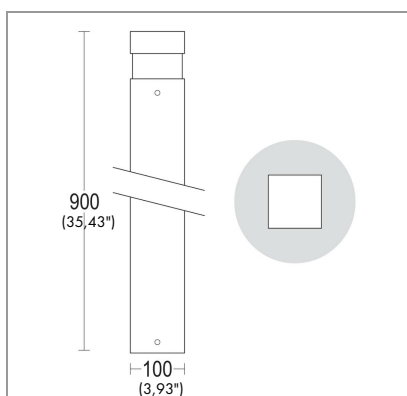
Light source: LED
 Power: 26 W
 LED voltage range [V]: 31.2-36.8V
 Courrent: 700 mA
 ZVEI - Led Type: LED
 Binning: Step MacAdam 3
 Color temperature: 3000K for model GH1450.CGXT300EN 1450.CGX.T
 4000K for model GH1450.CGXT400EN 1450.CHX.T
 CRI>90
 Color rendering index: 2712 lm for model GH1450.CGXT300EN 1450.CGX.T
 2755 lm for model GH1450.CGXT400EN 1450.CHX.T
 Light source: Included
 Ambient temperature operating range: -20 °C ÷ +35 °C

FINISH CODE:

■ .05 Dark grey (matt) ■ .19 Light Grey

ACCESSORIES:





H(m)	φ(m)	Lux Medi
5	58.8	0
4	47.0	0
3	35.3	0
2	23.5	0
1	11.8	1



CONSTRUCTIVE & DIMENSIONAL:

Application field: Walkways and driveways, Passageways, Cycle paths, Gardens, Squares
 Construction material: Stainless steel AISI 316L, Extruded aluminum EN AW-6060 T5 high resistance to oxidation
 External screws: Stainless steel A4-70 treated with highly antioxidant water-repellent lubricating solution
 Diameter: 100mm(3,93")
 Height: 900mm(35,43")

ELECTRICAL FOR MODEL: GH1369.LVXT300EN 1369.LVX.T

Description: 1 x 8 W LED 3000 K CRI>85 650 lm
 Operating Power: 110-277 V / 50-60 Hz
 Number of heads: 1
 Number of Circuits: 1
 Driver positioning: Integral
 Control gear type: Electronic
 Cable entry: Fixture supplied with pre-wired cable H05RN-F
 Emergency kit: Not available

ELECTRICAL FOR MODEL: GH1369.LVXT400EN 1369.LZX.T

Description: 1 x 8 W LED 4000 K CRI>85 690 lm
 Operating Power: 110-277 V / 50-60 Hz
 Number of heads: 1
 Number of Circuits: 1
 Driver positioning: Integral
 Control gear type: Electronic
 Cable entry: Fixture supplied with pre-wired cable H05RN-F 0.5m
 Emergency kit: Not available

OPTICAL:

Beam type: Bollard [360° emission]
 Beam angle [°]: 360°
 Light distribution: Symmetric
 Beam directionability: Fixed
 Diffuser material: Polycarbonate
 Diffuser finish: Clear
 Reflector material: Thermopolymer with high vacuum deposited aluminium

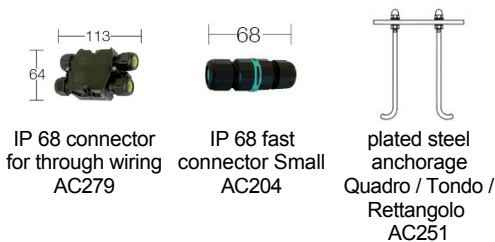
LIGHTING SOURCE:

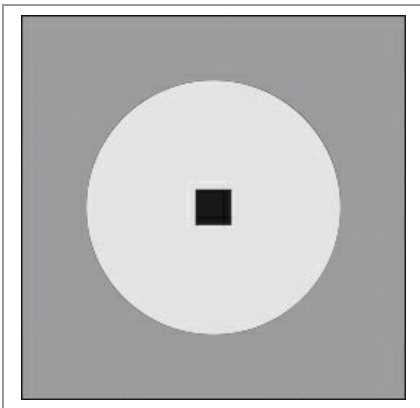
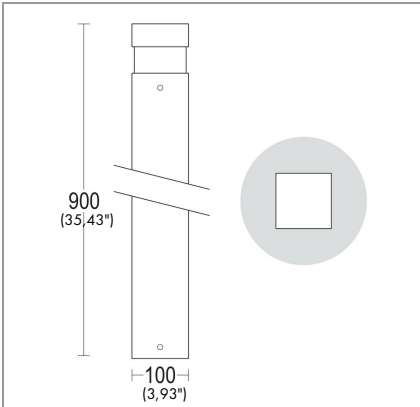
Light source: LED
 Power: 8 W
 ZVEI - Led Type: DOB
 Color temperature: 3000K for model GH1369.LVXT300EN 1369.LVX.T
 4000K for model GH1369.LVXT400EN 1369.LZX.T
 Color rendering index: CRI>85
 Nominal LED emission: 650 lm for model GH1369.LVXT300EN 1369.LVX.T
 690 lm for model GH1369.LVXT400EN 1369.LZX.T
 Light source: Included
 Ambient temperature operating range: -20 °C ÷ +35 °C

FINISH CODE:

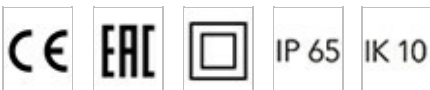
.05 Dark grey (matt) .19 Light Grey

ACCESSORIES:





H(m)	φ(m)	Lux Medi
5	58.8	0
4	47.0	0
3	35.3	0
2	23.5	0
1	11.8	2



CONSTRUCTIVE & DIMENSIONAL:

Application field: Walkways and driveways, Passageways, Cycle paths, Gardens, Squares
 Construction material: Stainless steel AISI 316L, Extruded aluminum EN AW-6060 T5 high resistance to oxidation
 External screws: Stainless steel A4-70 treated with highly antioxidant water-repellent lubricating solution
 Diameter: 100mm(3,93")
 Height: 900mm(35,43")

ELECTRICAL FOR MODEL:

**GH1369.BRXT300EN
1369.BRX.T**

Description: 1 x 12 W LED 3000 K CRI>90 1469 lm
 Operating Power: 110-277 V / 50-60 Hz
 Number of heads: 1
 Number of Circuits: 1
 Driver positioning: Integral
 Control gear type: Electronic
 Cable entry: Fixture supplied with pre-wired cable H05RN-F
 Emergency kit: Not available

ELECTRICAL FOR MODEL:

**GH1369.BRXT400EN
1369BSX.T**

Description: 1 x 12 W LED 4000 K CRI>90 1492 lm
 Operating Power: 110-277 V / 50-60 Hz
 Number of heads: 1
 Number of Circuits: 1
 Driver positioning: Integral
 Control gear type: Electronic
 Cable entry: Fixture supplied with pre-wired cable H05RN-F 0.5m
 Emergency kit: Not available

OPTICAL:

Beam type: Bollard [360° emission]
 Beam angle [°] Light distribution: 360°
 distribution: Symmetric
 directionability: Fixed
 Diffuser material: Polycarbonate
 Diffuser finish: Clear
 Reflector material: Thermopolymer with high vacuum deposited aluminium

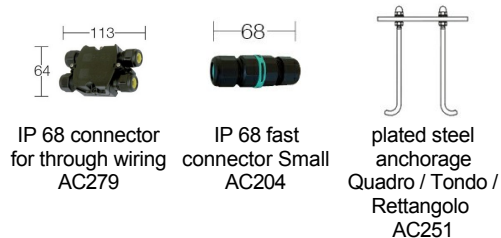
LIGHTING SOURCE:

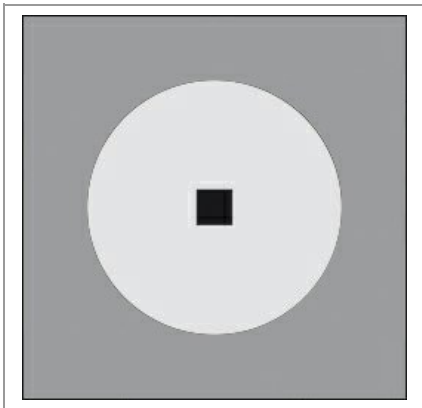
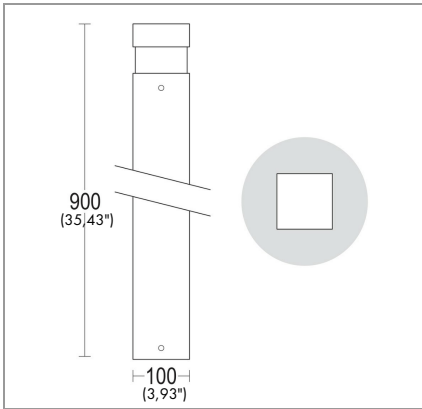
Light source: LED
 Power: 12 W
 LED voltage range [V]: 31.2-36.8V
 Courrent: 350 mA
 ZVEI - Led Type: LED
 Binning: Step MacAdam 3
 Color temperature: 3000K for model GH1369.BRXT300EN 1369.BRX.T
 4000K for model GH1369.BRXT400EN 1369BSX.T
 Color rendering index: CRI>90
 Nominal LED emission: 1469 lm for model GH1369.BRXT300EN 1369.BRX.T
 1492 lm for model GH1369.BRXT400EN 1369BSX.T
 Light source: Included
 Ambient temperature operating range: -20 °C ÷ +35 °C

FINISH CODE:

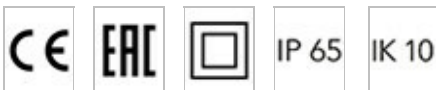
■ .05 Dark grey (matt) ■ .19 Light Grey

ACCESSORIES:





H(m)	φ(m)	Lux Medi
5	58.8	0
4	47.0	0
3	35.3	0
2	23.5	1
1	11.8	3



CONSTRUCTIVE & DIMENSIONAL:

Application field: Walkways and driveways, Passageways, Cycle paths, Gardens, Squares
 Construction material: Stainless steel AISI 316L, Extruded aluminum EN AW-6060 T5 high resistance to oxidation
 External screws: Stainless steel A4-70 treated with highly antioxidant water-repellent lubricating solution
 Diameter: 100mm(3,93")
 Height: 900mm(35,43")

ELECTRICAL FOR MODEL:

GH1369.CGXT300EN
1369.CGX.T

Description: 1 x 26 W LED 3000 K CRI>90 2712 lm
 Operating Power: 110-277 V / 50-60 Hz
 Number of heads: 1
 Number of Circuits: 1
 Driver positioning: Integral
 Control gear type: Electronic
 Cable entry: Fixture supplied with pre-wired cable H05RN-F
 Emergency kit: Not available

ELECTRICAL FOR MODEL:

GH1369.CGXT400EN
1369.CHX.T

Description: 1 x 26 W LED 4000 K CRI>90 2755 lm
 Operating Power: 110-277 V / 50-60 Hz
 Number of heads: 1
 Number of Circuits: 1
 Driver positioning: Integral
 Control gear type: Electronic
 Cable entry: Fixture supplied with pre-wired cable H05RN-F 0.5m
 Emergency kit: Not available

OPTICAL:

Beam type: Bollard [360° emission]
 Beam angle [°] Light: 360°
 distribution: Beam: Symmetric
 directionality: Fixed
 Diffuser material: Polycarbonate
 Diffuser finish: Clear
 Reflector material: Thermopolymer with high vacuum deposited aluminium

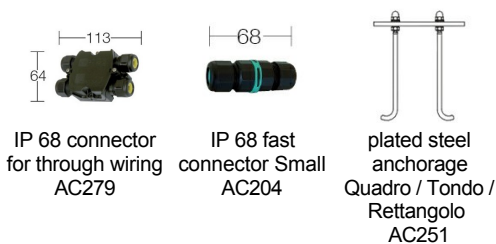
LIGHTING SOURCE:

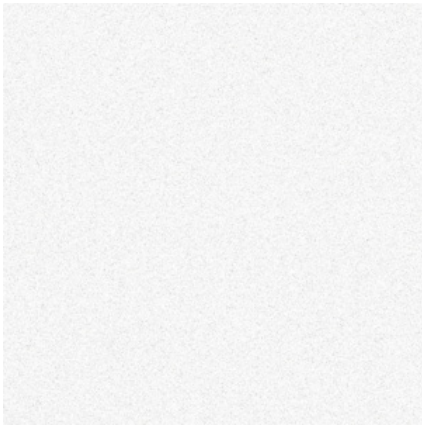
Light source: LED
 Power: 26 W
 LED voltage range [V]: 31.2-36.8V
 Current: 700 mA
 ZVEI - Led Type: LED
 Binning: Step MacAdam 3
 Color temperature: 3000K for model GH1369.CGXT300EN 1369.CGX.T
 4000K for model GH1369.CGXT400EN 1369.CHX.T
 Color rendering index: CRI>90
 Nominal LED emission: 2712 lm for model GH1369.CGXT300EN 1369.CGX.T
 2755 lm for model GH1369.CGXT400EN 1369.CHX.T
 Light source: Included
 Ambient temperature operating range: -20 °C ÷ +35 °C

FINISH CODE:

■ .05 Dark grey (matt) ■ .19 Light Grey

ACCESSORIES:





.01 WHITE



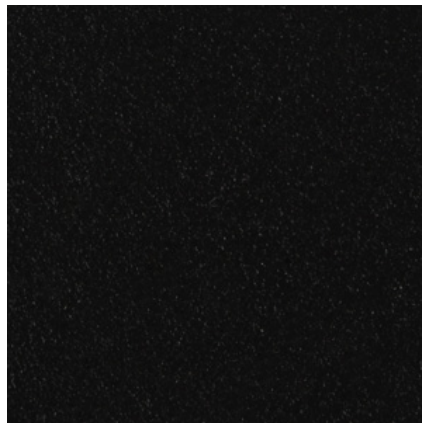
.05 ANTHRACITE GREY



.19 LIGHT GREY



.15 STAINLESS STEEL



.02 BLACK



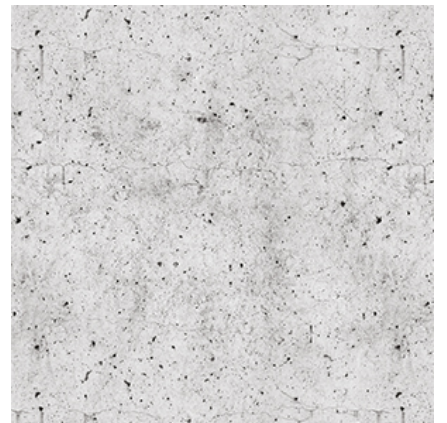
.32 OAK EFFECT



.45 RUST



.34 GLASS



.43 CONCRETE EFFECT