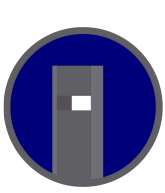
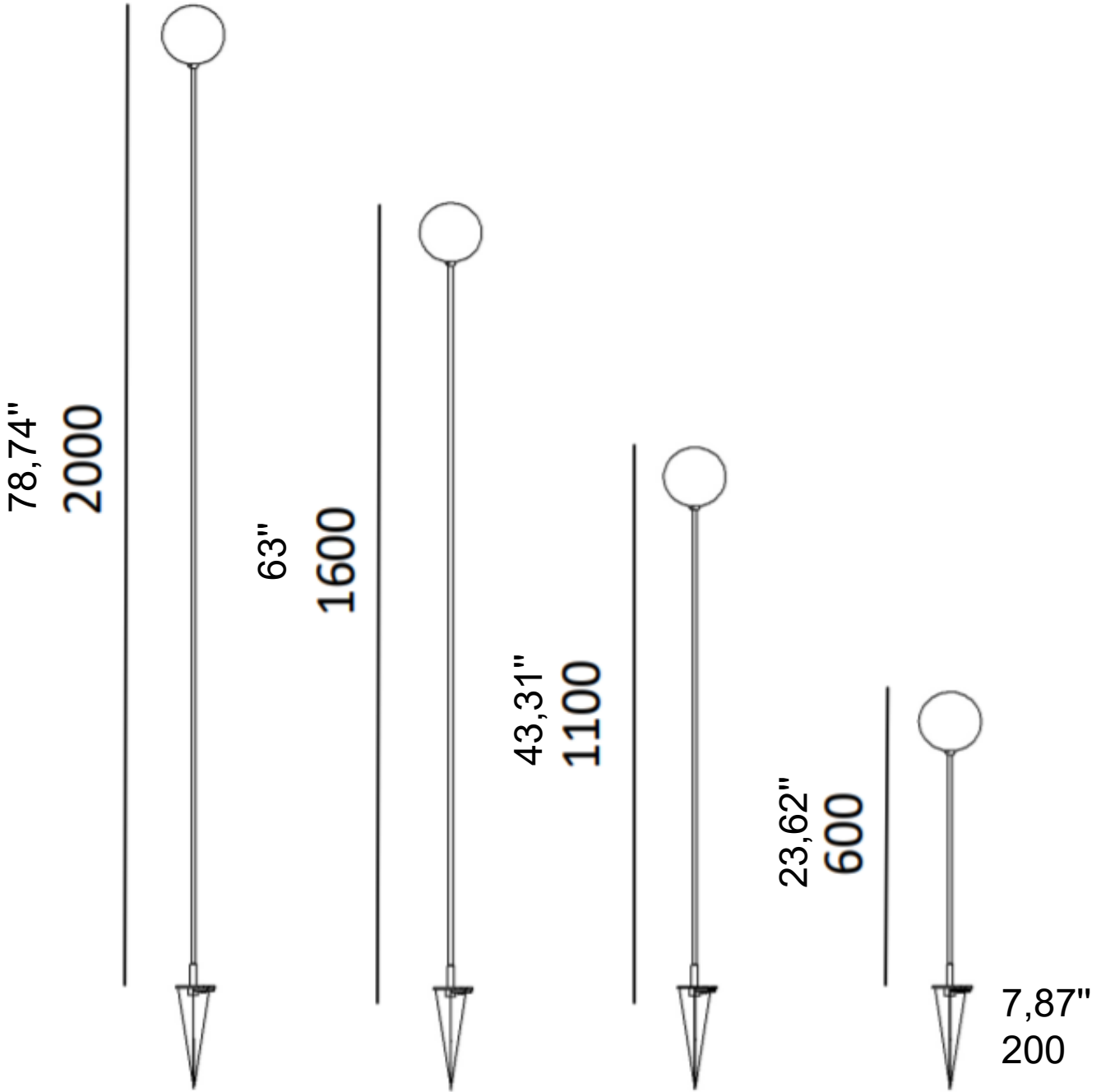


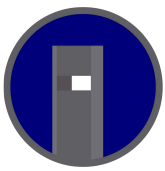


Soffione P3



Dimensions





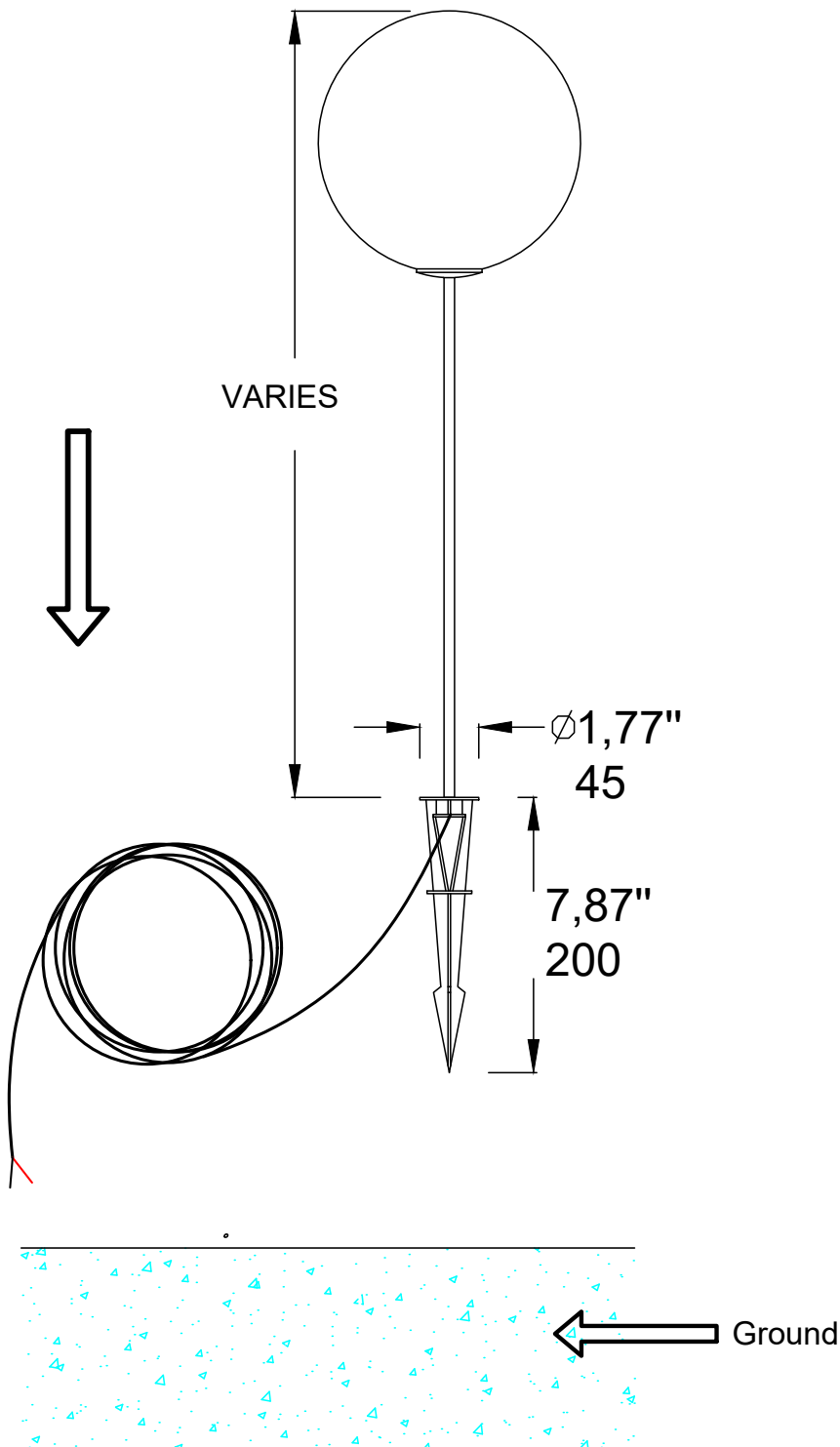
1. Decide on the positioning of the spike light

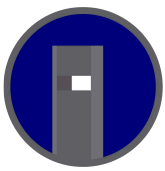
2. Locate the mains electrical supply (pre-installed cable).

3. Connect the fitting to the mains supply via a waterproof junction box or connector

4. Ensure all terminals of the connector block are secure with no stray wires and that the connection is watertight.

5. Once fully installed, turn on the mains power.





WARNING:

- The safety of this fixture is guaranteed only if you comply with these instructions.
- The appliance must not be tampered with or transformed and it must be installed and used as supplied and in compliance with the national rules on installations.
- Switch-off the power supply before carrying out any maintenance operations. hot plug-in is not allow and may cause damage to the luminaire.
- Installation and service must be performed by qualified service personnel.
- Any non-compliant installations will invalidate all forms of guarantee.