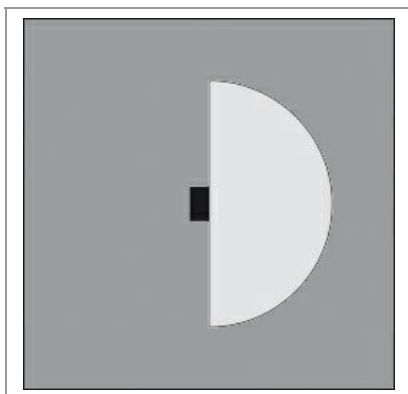


H(m)	φ(m)	Lux Medi
5	24.1	0
4	19.3	0
3	14.5	0
2	9.6	0
1	4.8	0



CONSTRUCTIVE & DIMENSIONAL:

Application field:	Walkways and driveways, Passageways, Cycle paths, Gardens, Squares
Construction material:	Stainless steel AISI 316L, Extruded aluminum EN AW-6060 T5 high resistance to oxidation
External screws:	Stainless steel A4-70 treated with highly antioxidant water-repellent lubricating solution
Diameter:	100mm(3,93")
Height:	600mm(23,62")

ELECTRICAL:

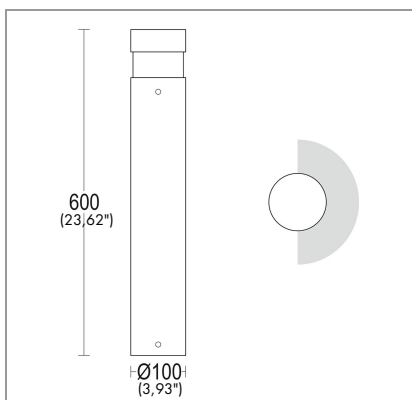
Description and Model Code:	GH1445.LVXT300EN 1445.LVX.T	1 x 8 W LED 3000 K CRI>85 650 lm
	GH1445.LVXT400EN 1445.LZX.T	1 x 8 W LED 4000 K CRI>85 690 lm
	GH1445.BRXT300EN 1445.BRX.T	1 x 12 W LED 3000 K CRI>90 1469 lm
	GH1445.BRXT400EN 1445.BSX.T	1 x 12 W LED 4000 K CRI>90 1492 lm
	GH1445.CGXT300EN 1445.CGX.T	1 x 26 W LED 3000 K CRI>90 2712 lm
	GH1445.CGXT400EN 1445.CHX.T	1 x 26 W LED 4000 K CRI>90 2755 lm
	GH1410.AHXT300EN	1 x 6 W LED 3000 K CRI>90 779 lm
	GH1410.AHXT400EN	1 x 6 W LED 4000 K CRI>90 832 lm
	Operating Power	110-277 V / 50-60 Hz
	Number of heads	1
	Number of Circuits:	1
	Driver positioning	Integral
Control gear type	Electronic	
Cable entry	Fixture supplied with pre-wired cable H05RN-F	
Emergency kit	Not available	

OPTICAL:

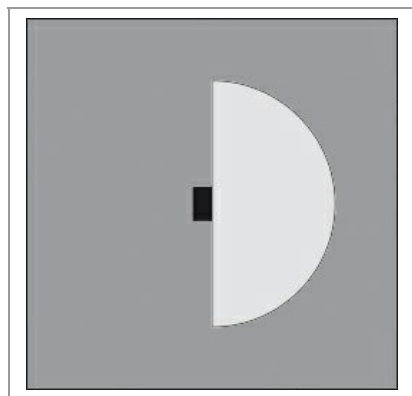
Beam type	Bollard [180° emission]
Beam angle [°]	180°
Light distribution	Symmetric
Beam directionability	Fixed
Diffuser material	Polycarbonate
Diffuser finish	Clear
Reflector material	Thermopolymer with high vacuum deposited aluminium

LIGHTING SOURCE for model GH1445.LVXT300EN 1445.LVX.T

Light source	LED
Power [W]	8 W
ZVEI - Led Type	DOB
Color temperature	3000 K
Color rendering index	CRI>85
Nominal LED emission [Lm]	650 lm
Light source	Included
Ambient temperature operating range [°C]	-20 °C ÷ +35 °C



H(m)	∅(m)	Lux Medi
5	24.1	0
4	19.3	0
3	14.5	0
2	9.6	0
1	4.8	0


LIGHTING SOURCE for model GH1445.LVXT400EN 1445.LZX.T

Light source	LED
Power [W]	8 W
ZVEI - Led Type	DOB
Color temperature	4000 K
Color rendering index	CRI>85
Nominal LED emission [Lm]	690 lm
Light source	Included
Ambient temperature operating range [°C]	-20 °C ÷ +35 °C

LIGHTING SOURCE for model GH1445.BRXT300EN 1445.BRX.T

Light source	LED
Power [W]	12 W
LED voltage range [V]	31.2-36.8V
Current	350 mA
ZVEI - Led Type	LED
Color temperature	3000 K
Binning	Step MacAdam 3
Color rendering index	CRI>90
Nominal LED emission [Lm]	1469 lm
Light source	Included
Ambient temperature operating range [°C]	-20 °C ÷ +35 °C

LIGHTING SOURCE for model GH1445.BRXT400EN 1445.BSX.T

Light source	LED
Power [W]	12 W
LED voltage range [V]	31.2-36.8V
Current	350 mA
ZVEI - Led Type	LED
Color temperature	4000 K
Binning	Step MacAdam 3
Color rendering index	CRI>90
Nominal LED emission [Lm]	1492 lm
Light source	Included
Ambient temperature operating range [°C]	-20 °C ÷ +35 °C

LIGHTING SOURCE for model GH1445.CGXT300EN 1445.CGX.T

Light source	LED
Power [W]	26 W
LED voltage range [V]	31.2-36.8V
Current	700 mA
ZVEI - Led Type	LED
Color temperature	3000 K
Binning	Step MacAdam 3
Color rendering index	CRI>90
Nominal LED emission [Lm]	2712 lm
Light source	Included
Ambient temperature operating range [°C]	-20 °C ÷ +35 °C


LIGHTING SOURCE for model GH1445.CGXT400EN 1445.CHX.T

Light source	LED
Power [W]	26 W
LED voltage range [V]	31.2-36.8V
Current	700 mA
ZVEI - Led Type	LED
Color temperature	4000 K
Binning	Step MacAdam 3
Color rendering index	CRI>90
Nominal LED emission [Lm]	2755 lm
Light source	Included
Ambient temperature operating range [°C]	-20 °C ÷ +35 °C

LIGHTING SOURCE for model GH1410.AHXT300EN

Light source	LED
Power [W]	6 W
LED voltage range [V]	12V
Current	500 mA
ZVEI - Led Type	LED
Color temperature	4000 K
Binning	Step MacAdam 3
Color rendering index	CRI>90
Nominal LED emission [Lm]	779 lm
Light source	Included
Ambient temperature operating range [°C]	-20 °C ÷ +35 °C

LIGHTING SOURCE for model GH1410.AHXT400EN

Light source	LED
Power [W]	6 W
LED voltage range [V]	12V
Current	500 mA
ZVEI - Led Type	LED module
Color temperature	3000 K
Binning	Step MacAdam 3
Color rendering index	CRI>90
Nominal LED emission [Lm]	832 lm
Light source	Included
Ambient temperature operating range [°C]	-20 °C ÷ +35 °C

ACCESSORIES:


IP 68 connector
for through wiring
AC279



IP 68 fast
connector Small
AC204

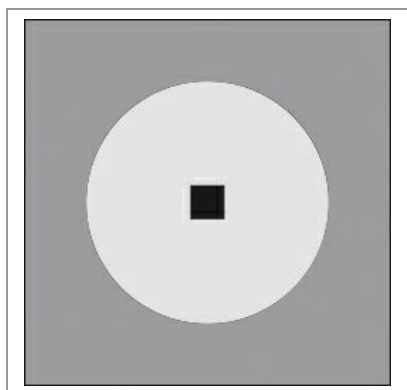
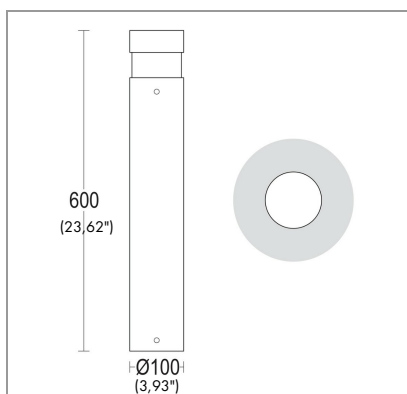


plated steel
anchorage
Quadro / Tondo /
Rettangolo
AC251

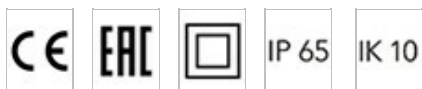
FINISH CODE:

■ .05 Dark grey (matt)

■ .19 Light Grey



H(m)	φ(m)	Lux Medi
5	67.6	0
4	54.1	0
3	40.6	0
2	27.1	1
1	13.5	2



CONSTRUCTIVE & DIMENSIONAL:

Application field:	Walkways and driveways, Passageways, Cycle paths, Gardens, Squares
Construction material:	Stainless steel AISI 316L, Extruded aluminum EN AW-6060 T5 high resistance to oxidation
External screws:	Stainless steel A4-70 treated with highly antioxidant water-repellent lubricating solution
Diameter:	100mm(3,93")
Height:	600mm(23,62")

ELECTRICAL:

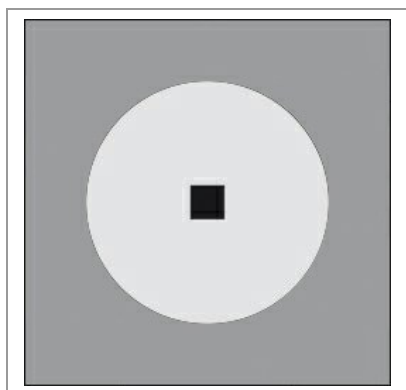
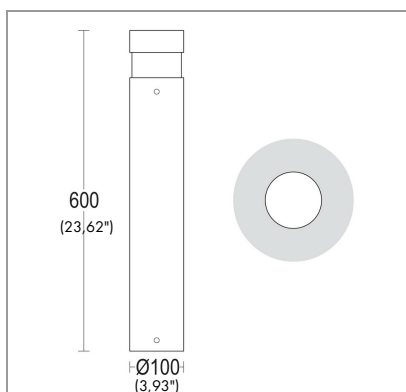
Description and Model Code:	GH1372.LVXT300EN 1372.LVX.T	1 x 8 W LED 3000 K CRI>85 650 lm
	GH1372.LVXT400EN 1372.LZX.T	1 x 8 W LED 4000 K CRI>85 690 lm
	GH1372.BRXT300EN 1372.BRX.T	1 x 12 W LED 3000 K CRI>90 1469 lm
	GH1372.BRXT400EN 1372.BSX.T	1 x 12 W LED 4000 K CRI>90 1492 lm
	GH1372.CGXT300EN 1372.CGX.T	1 x 26 W LED 3000 K CRI>90 2712 lm
	GH1372.CGXT400EN 1372.CHX.T	1 x 26 W LED 4000 K CRI>90 2755 lm
	GH1407.BRXT300EN	1 x 12 W LED 3000 K CRI>90 1558 lm
	GH1407.BRXT400EN	1 x 12 W LED 4000 K CRI>90 1663 lm
	Operating Power	110-277 V / 50-60 Hz
	Number of heads	1
Number of Circuits:	1	
Driver positioning	Integral	
Control gear type	Electronic	
Cable entry	Fixture supplied with pre-wired cable H05RN-F	
Emergency kit	Not available	

OPTICAL:

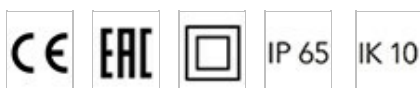
Beam type	Bollard [360° emission]
Beam angle [°]	360°
Light distribution	Symmetric
Beam directionability	Fixed
Diffuser material	Polycarbonate
Diffuser finish	Clear
Reflector material	Thermopolymer with high vacuum deposited aluminium

LIGHTING SOURCE for model GH1372.LVXT300EN 1372.LVX.T

Light source	LED
Power [W]	8 W
ZVEI - Led Type	DOB
Color temperature	3000 K
Color rendering index	CRI>85
Nominal LED emission [Lm]	650 lm
Light source	Included
Ambient temperature operating range [°C]	-20 °C ÷ +35 °C



H(m)	φ(m)	Lux Medi
5	67.6	0
4	54.1	0
3	40.6	0
2	27.1	1
1	13.5	2


LIGHTING SOURCE for model GH1372.LVXT400EN 1372.LZX.T

Light source	LED
Power [W]	8 W
ZVEI - Led Type	DOB
Color temperature	4000 K
Color rendering index	CRI>85
Nominal LED emission [Lm]	690 lm
Light source	Included
Ambient temperature operating range [°C]	-20 °C ÷ +35 °C

LIGHTING SOURCE for model GH1372.BRXT300EN 1372.BRX.T

Light source	LED
Power [W]	12 W
LED voltage range [V]	31.2-36.8V
Current	350 mA
ZVEI - Led Type	LED
Color temperature	3000 K
Binning	Step MacAdam 3
Color rendering index	CRI>90
Nominal LED emission [Lm]	1469 lm
Light source	Included
Ambient temperature operating range [°C]	-20 °C ÷ +35 °C

LIGHTING SOURCE for model GH1372.BRXT400EN 1372.BSX.T

Light source	LED
Power [W]	12 W
LED voltage range [V]	31.2-36.8V
Current	350 mA
ZVEI - Led Type	LED
Color temperature	4000 K
Binning	Step MacAdam 3
Color rendering index	CRI>90
Nominal LED emission [Lm]	1492 lm
Light source	Included
Ambient temperature operating range [°C]	-20 °C ÷ +35 °C

LIGHTING SOURCE for model GH1372.CGXT300EN 1372.CGX.T

Light source	LED
Power [W]	26 W
LED voltage range [V]	31.2-36.8V
Current	700 mA
ZVEI - Led Type	LED
Color temperature	3000 K
Binning	Step MacAdam 3
Color rendering index	CRI>90
Nominal LED emission [Lm]	2712 lm
Light source	Included
Ambient temperature operating range [°C]	-20 °C ÷ +35 °C


LIGHTING SOURCE for model GH1372.CGXT400EN 1372.CHX.T

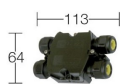
Light source	LED
Power [W]	26 W
LED voltage range [V]	31.2-36.8V
Current	700 mA
ZVEI - Led Type	LED
Color temperature	4000 K
Binning	Step MacAdam 3
Color rendering index	CRI>90
Nominal LED emission [Lm]	2755 lm
Light source	Included
Ambient temperature operating range [°C]	-20 °C ÷ +35 °C

LIGHTING SOURCE for model GH1407.BRXT300EN

Light source	LED
Power [W]	12 W
LED voltage range [V]	24V
Current	500 mA
ZVEI - Led Type	LED module
Color temperature	4000 K
Binning	Step MacAdam 3
Color rendering index	CRI>90
Nominal LED emission [Lm]	1558 lm
Light source	Included
Ambient temperature operating range [°C]	-20 °C ÷ +35 °C

LIGHTING SOURCE for model GH1407.BRXT400EN

Light source	LED
Power [W]	12 W
LED voltage range [V]	24V
Current	500 mA
ZVEI - Led Type	LED module
Color temperature	4000 K
Binning	Step MacAdam 3
Color rendering index	CRI>90
Nominal LED emission [Lm]	1663 lm
Light source	Included
Ambient temperature operating range [°C]	-20 °C ÷ +35 °C

ACCESSORIES:


IP 68 connector
for through wiring
AC279



IP 68 fast
connector Small
AC204



plated steel
anchorage
Quadro / Tondo /
Rettangolo
AC251

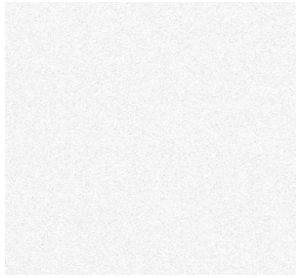
FINISH CODE:

■ .05 Dark grey (matt)

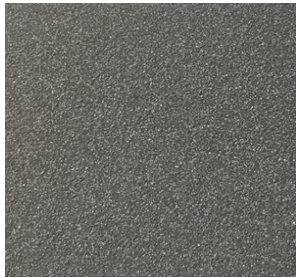
■ .19 Light Grey



FINISH CODE:



.01 WHITE



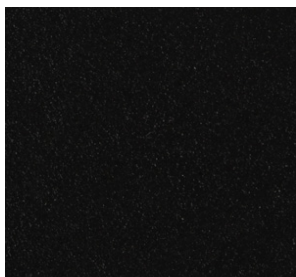
.05 ANTHRACITE GREY



.19 LIGHT GREY



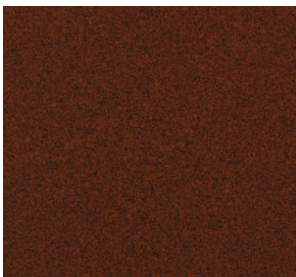
.15 STAINLESS STEEL



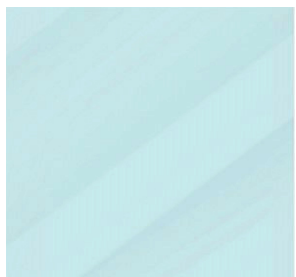
.02 BLACK



.32 OAK EFFECT



.45 RUST



.34 GLASS



.43 CONCRETE EFFECT