



## IONA BENCH PLANTER



### BODY:

Iona Benches are made from 100% recycled plastic. They are weather and rot-resistant, heavy-duty yet easy to install. The Iona Planters are maintenance-free and resistant to oils, brines, acids, and saltwater. They are comparatively lightweight, meaning no heavy equipment is required for installation. A bench between planters is nothing new - but a bench that connects planters? That's new. Our attractive modular system is designed to be adaptable. Base and add-on elements can be combined to form whatever ideas you can throw at it – corners, squares or zig-zags, get creative with Iona!



### DIMENSIONS:

Base element:	
3 bench planks:	150 x 10 x 4.7 cm
2 Planters:	Iberis 1: 70 x 70 x 47 cm
Extension element:	
3 bench planks:	150 x 10 x 4.7 cm
1 Planters:	Iberis 1: 70 x 70 x 47 cm
Seat height:	47 cm
Multiple combination options	

## HOW TO ORDER:

NAME OF THE PLANTER:

SIZE:

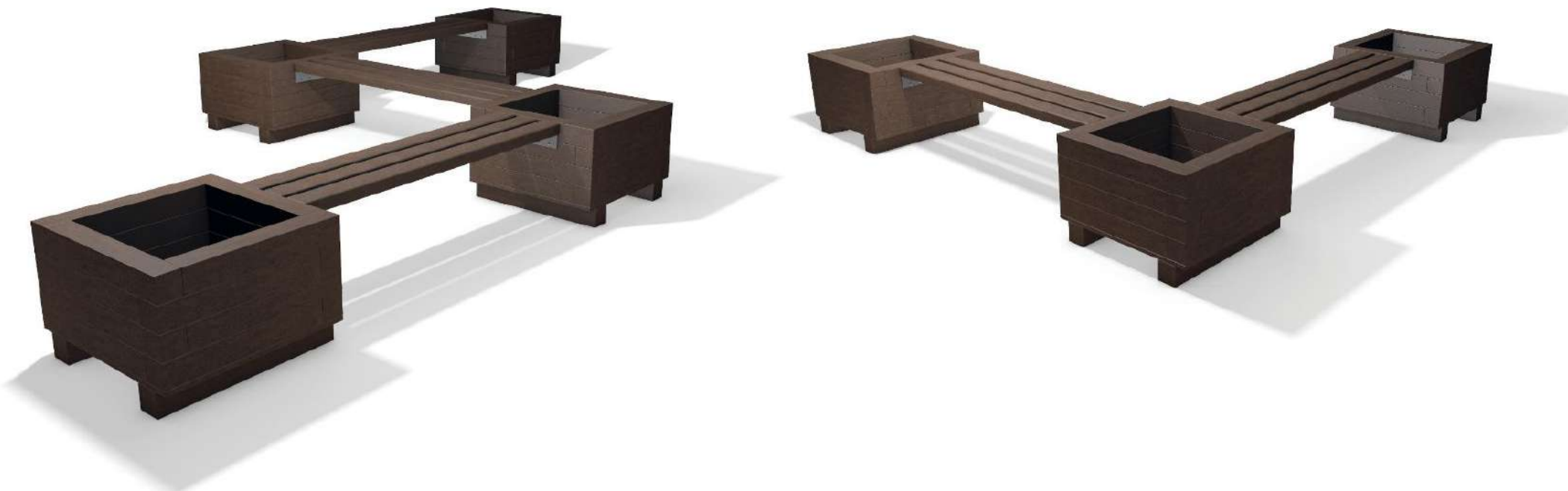
NAME OF THE LIGHT:

QUANTITY OF LIGHTS:

POSITIONING OF LIGHT:

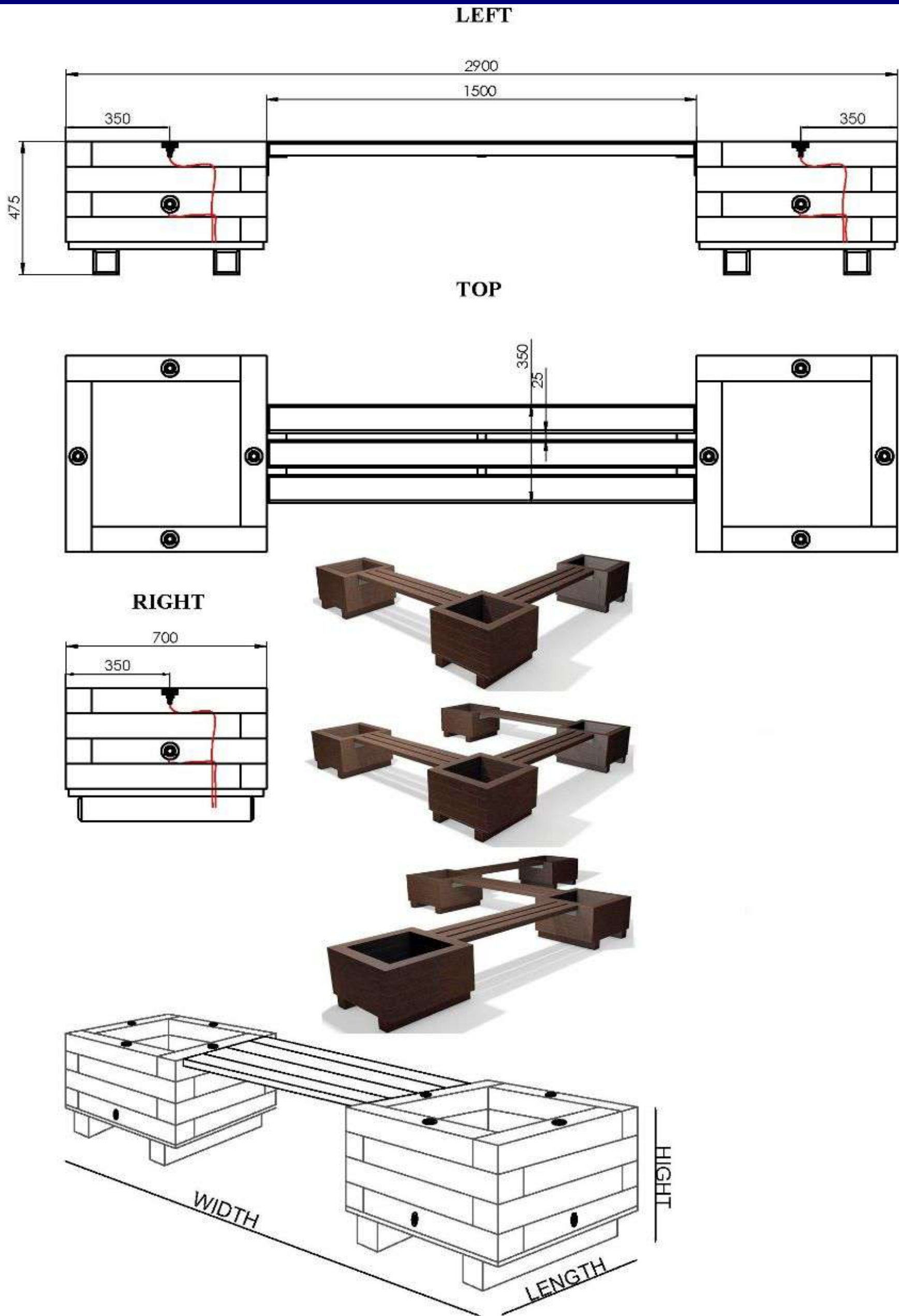
**FOR EXAMPLE:** Iona Bench planter / 3 bench planks + 4 planters/ KROSS light / 12 lights / 2 lights on each side of the planter + 4 at the top

**NOTE:** On the next pages the description of the lights and positioning of them is given.



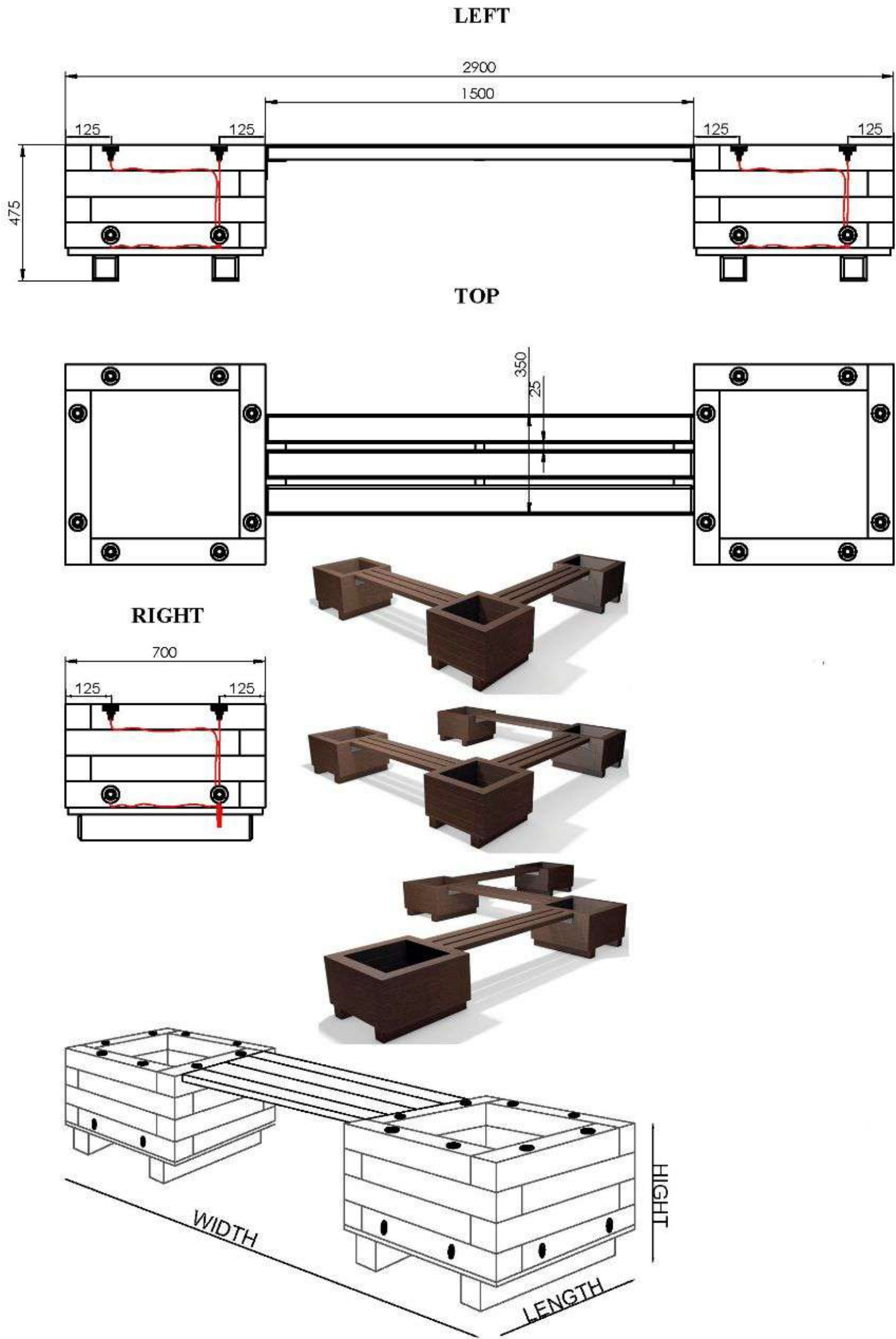


**EXAMPLES OF POSITIONING OF LIGHTS:**



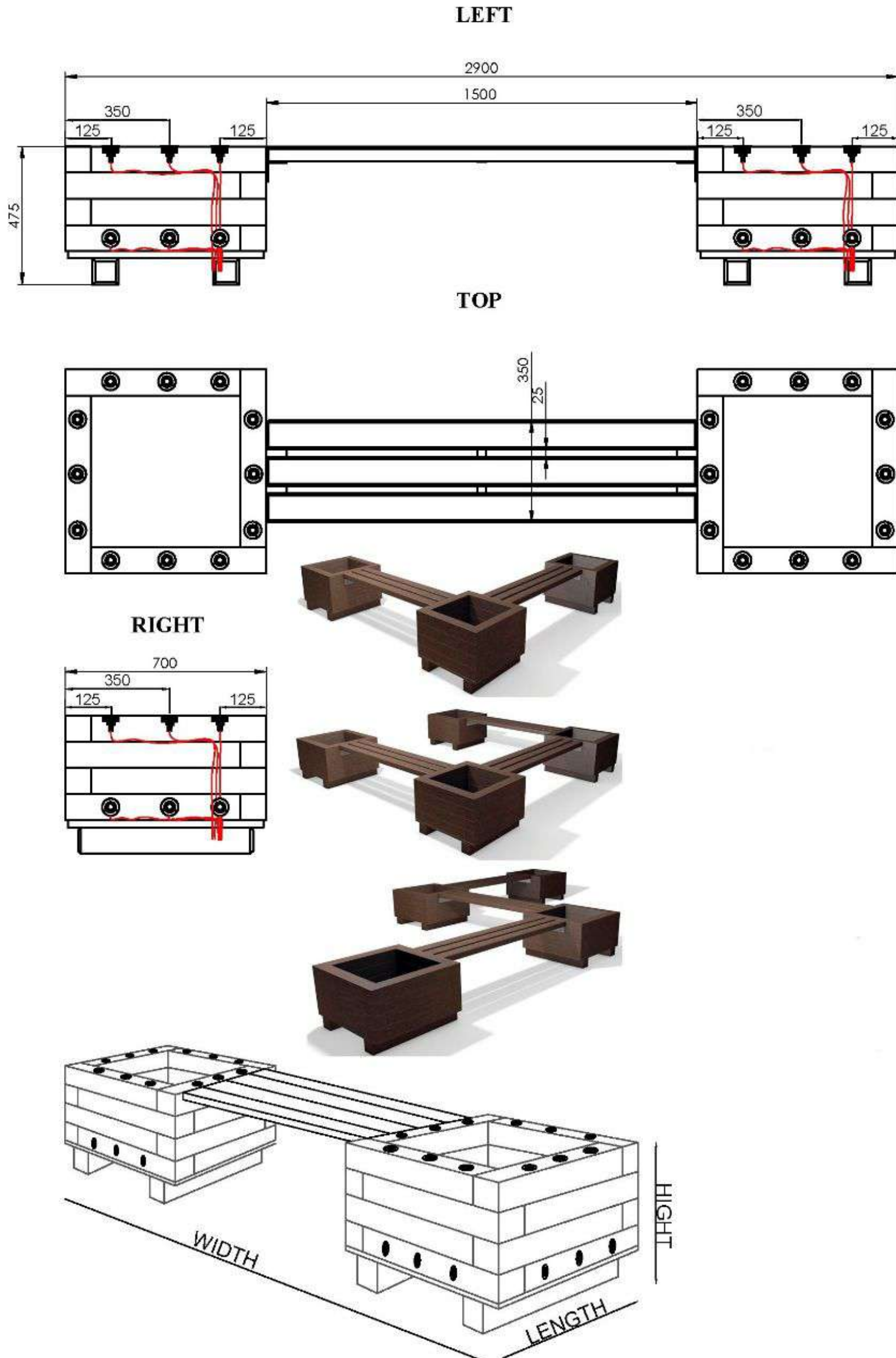


**EXAMPLES OF POSITIONING OF LIGHTS:**



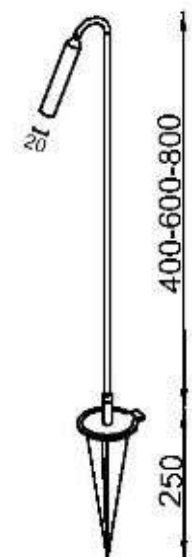
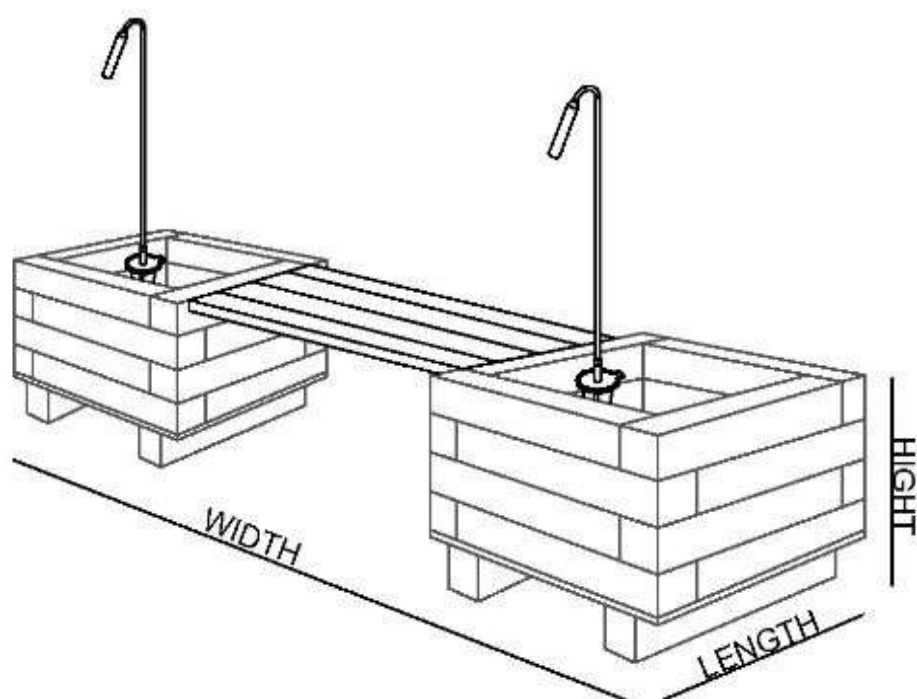
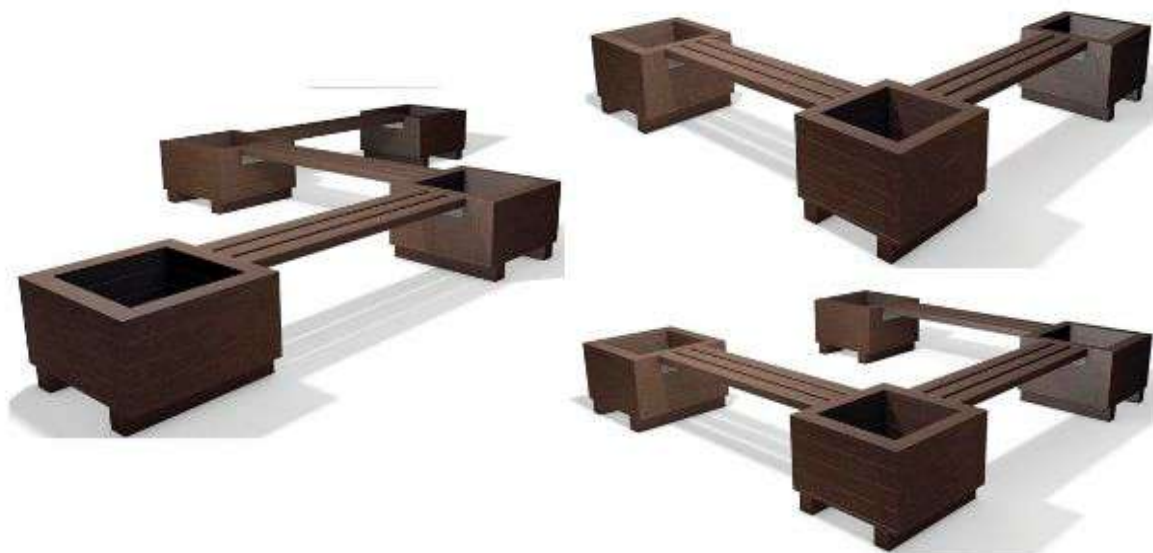
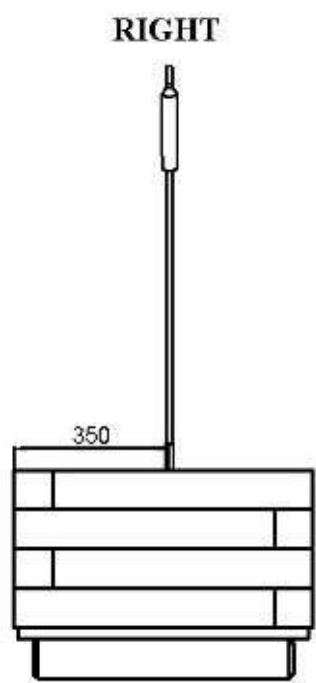
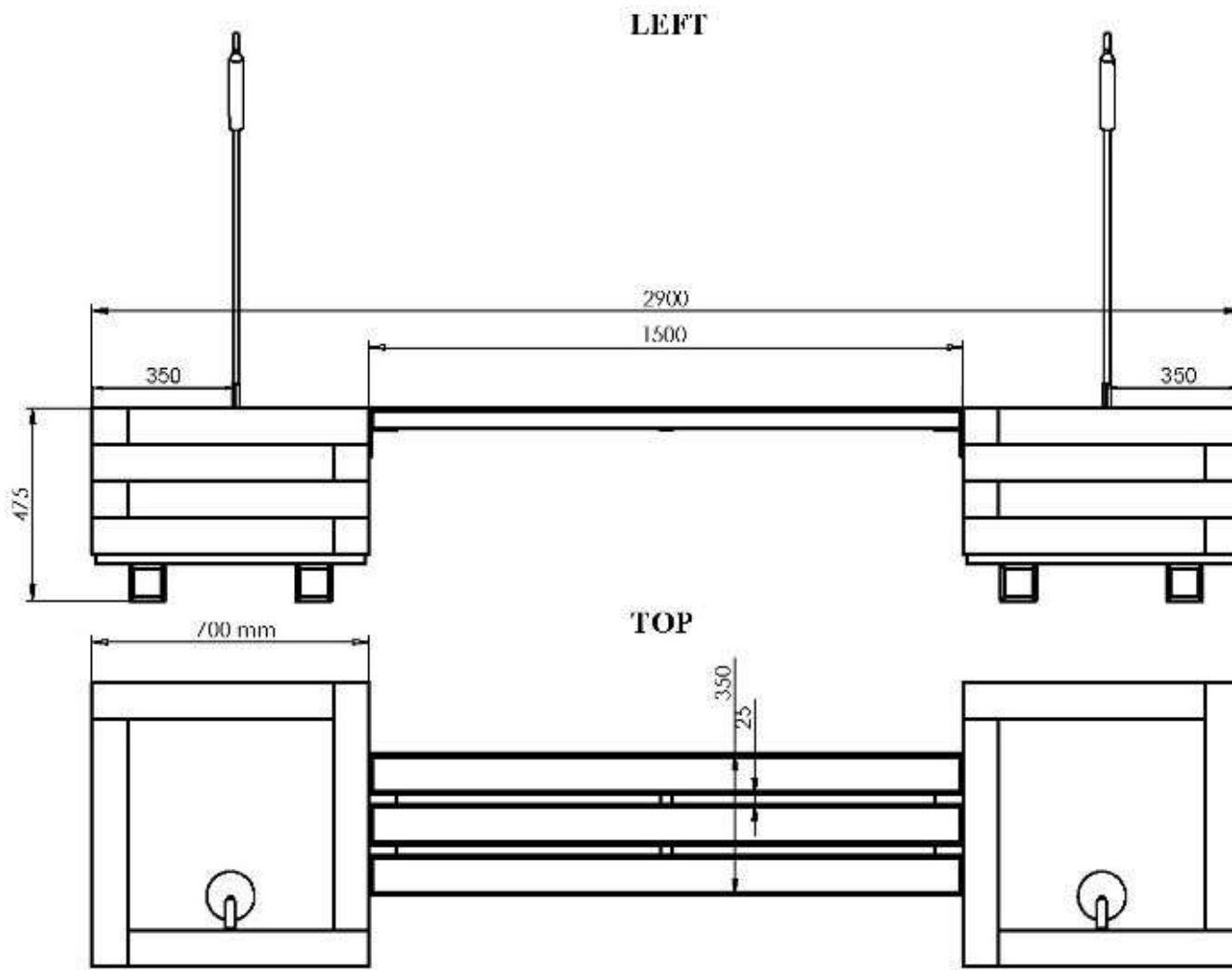


**EXAMPLES OF POSITIONING OF LIGHTS:**



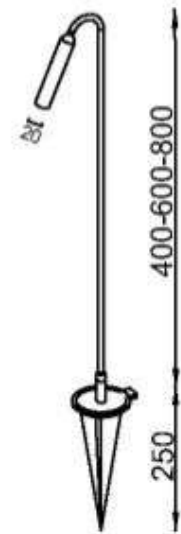
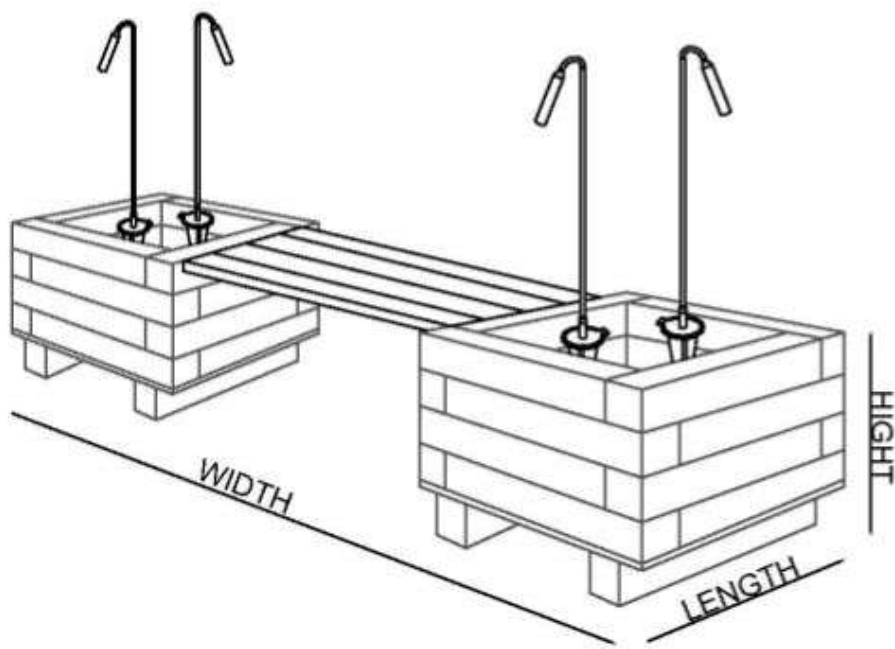
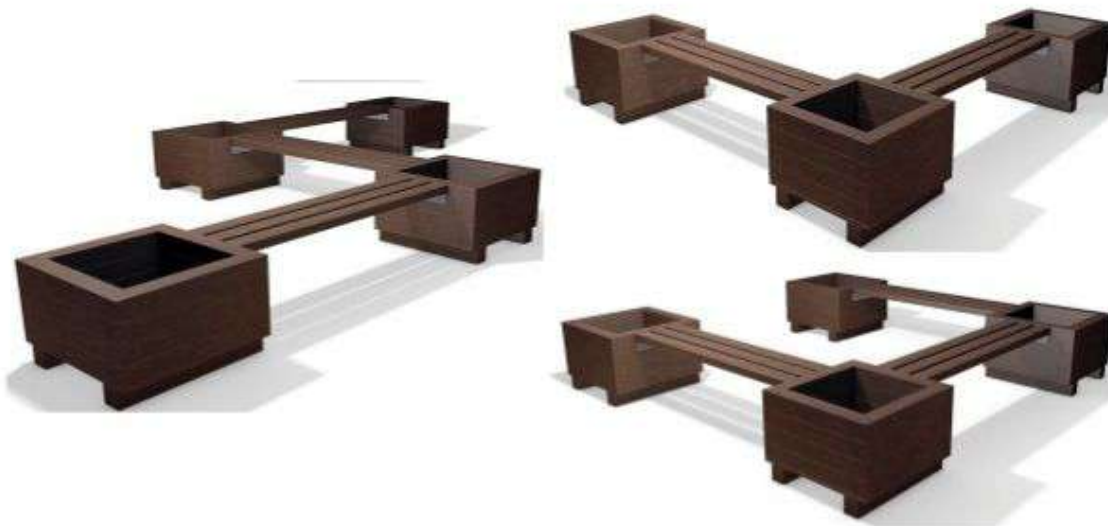
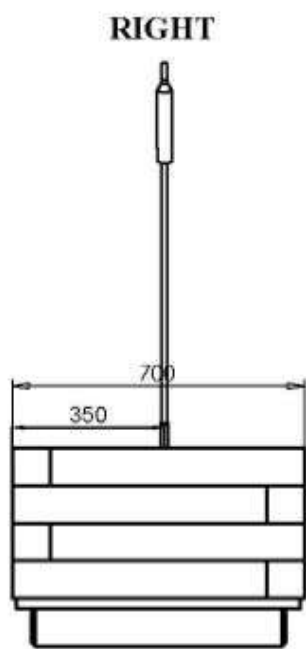
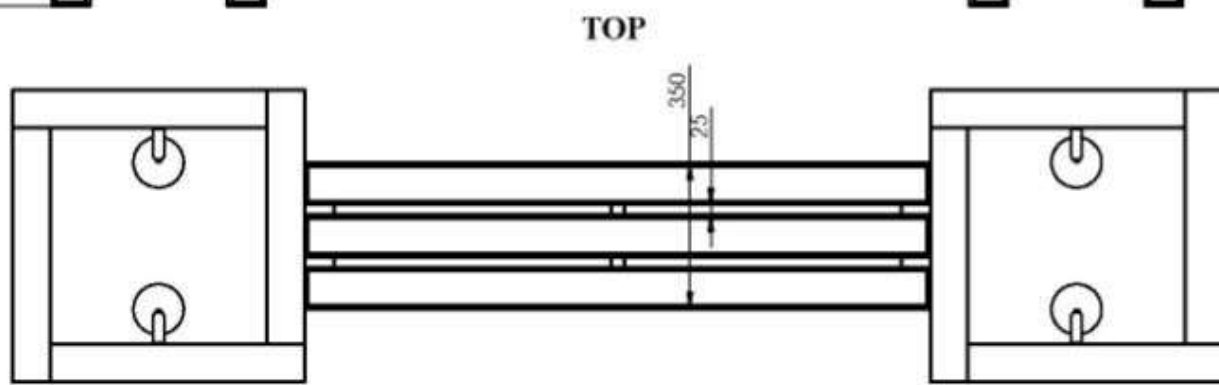
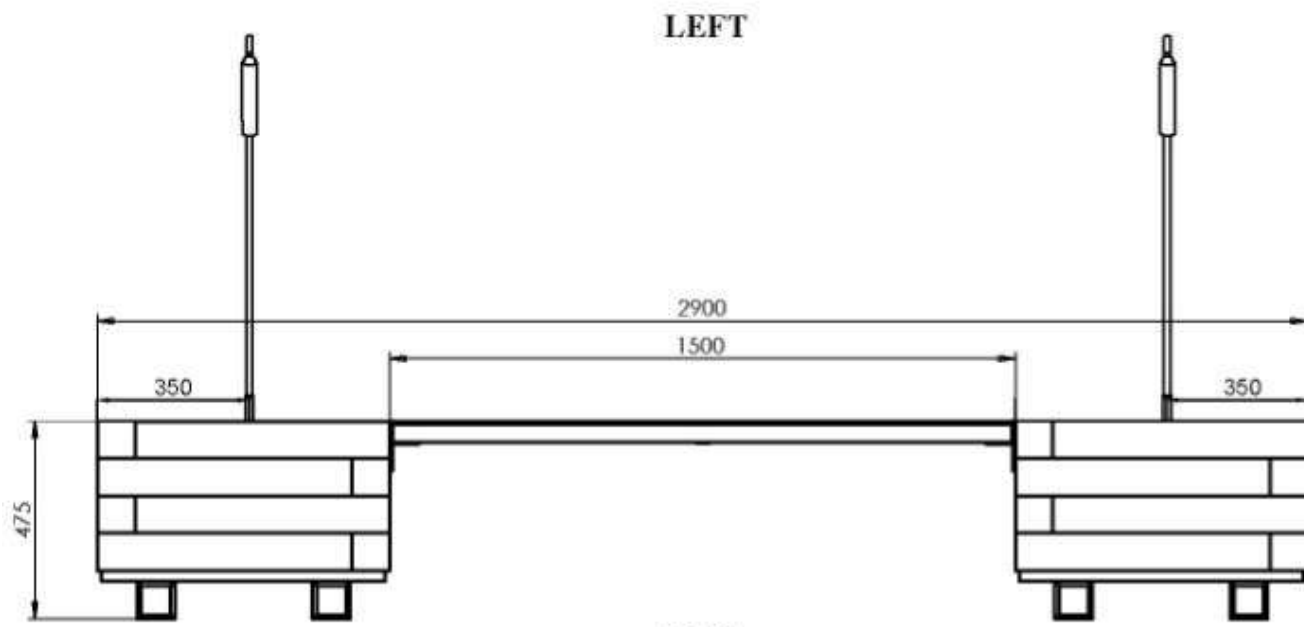


**EXAMPLES OF POSITIONING OF LIGHTS:**



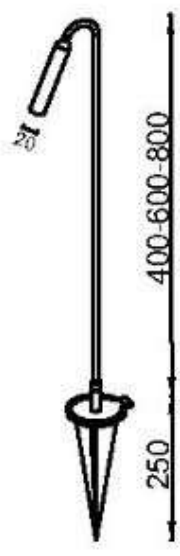
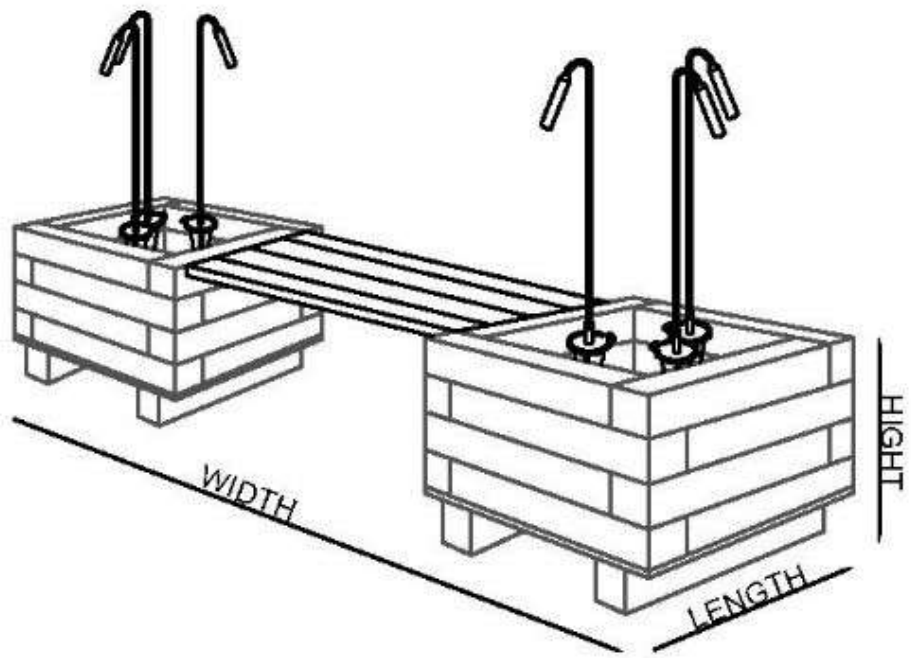
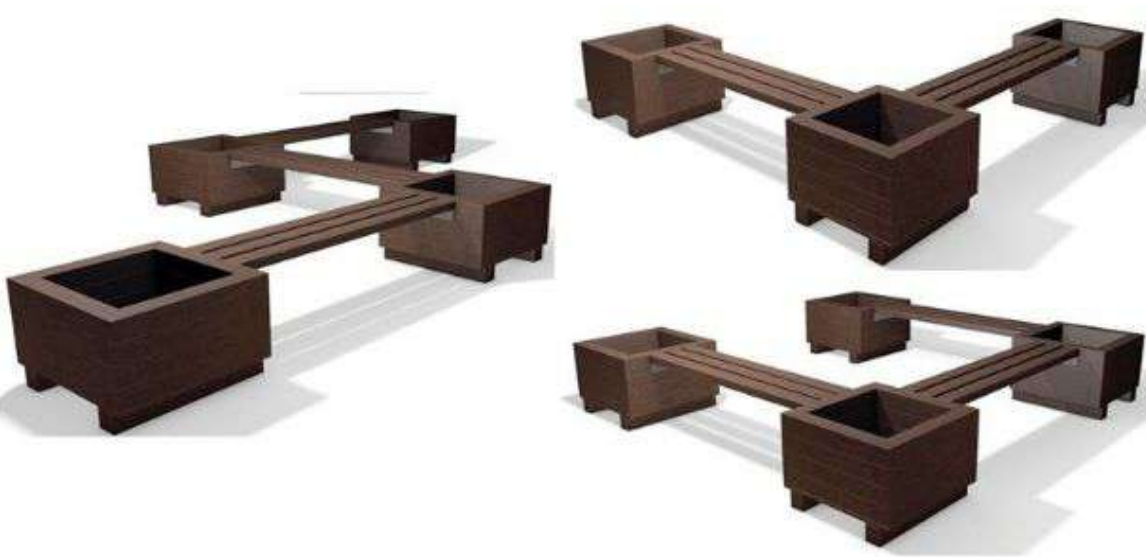
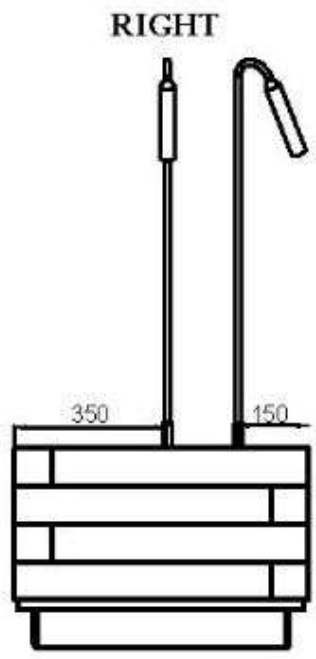
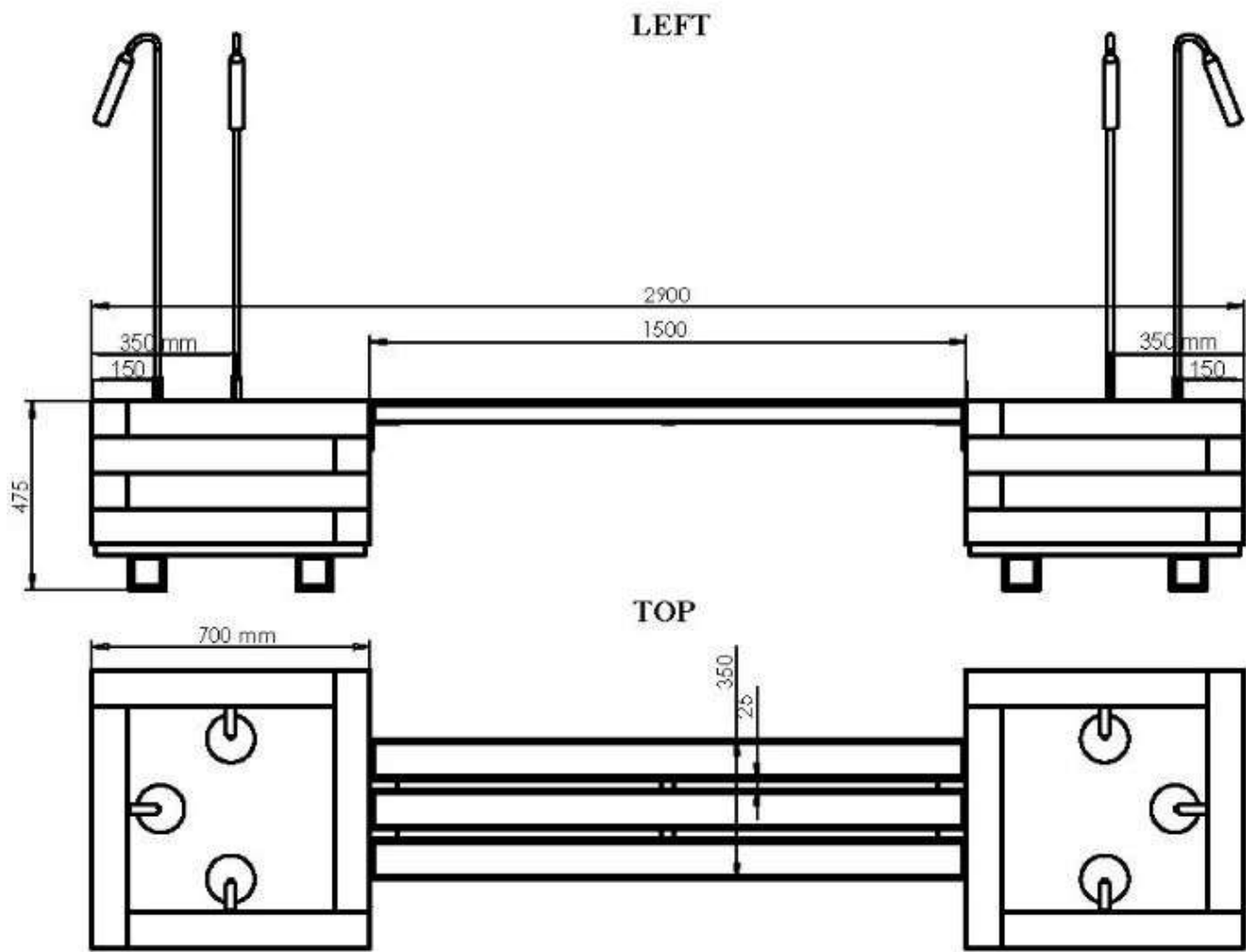


**EXAMPLES OF POSITIONING OF LIGHTS:**



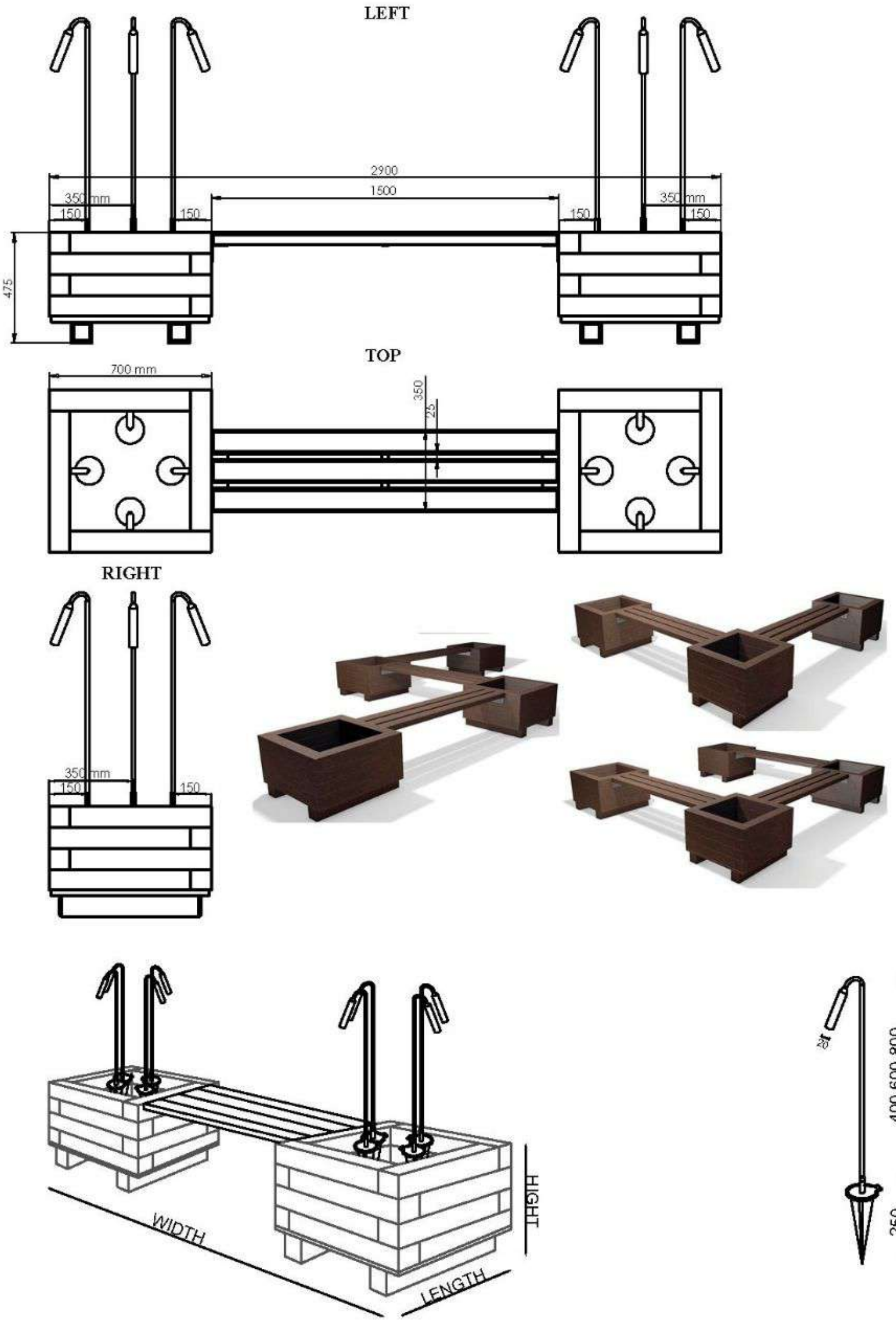


**EXAMPLES OF POSITIONING OF LIGHTS:**





**EXAMPLES OF POSITIONING OF LIGHTS:**





## CERCHIO LIGHT:

### CODE:

6389

### TPOLOGY:

walkover recessed spot

### MATERIALS:

stainless steel AISI 316L

### LIGHTS:

LED

### BULBS:

/W - LED max 2W 500 mA 209lm 4000K

/WW - LED max 2W 500 mA 199lm 3000K

### IP GRADE:

IP 67

### NET WEIGHT:

0,20 Kg

### FINISHING:

.33 MATT STEEL



33. W

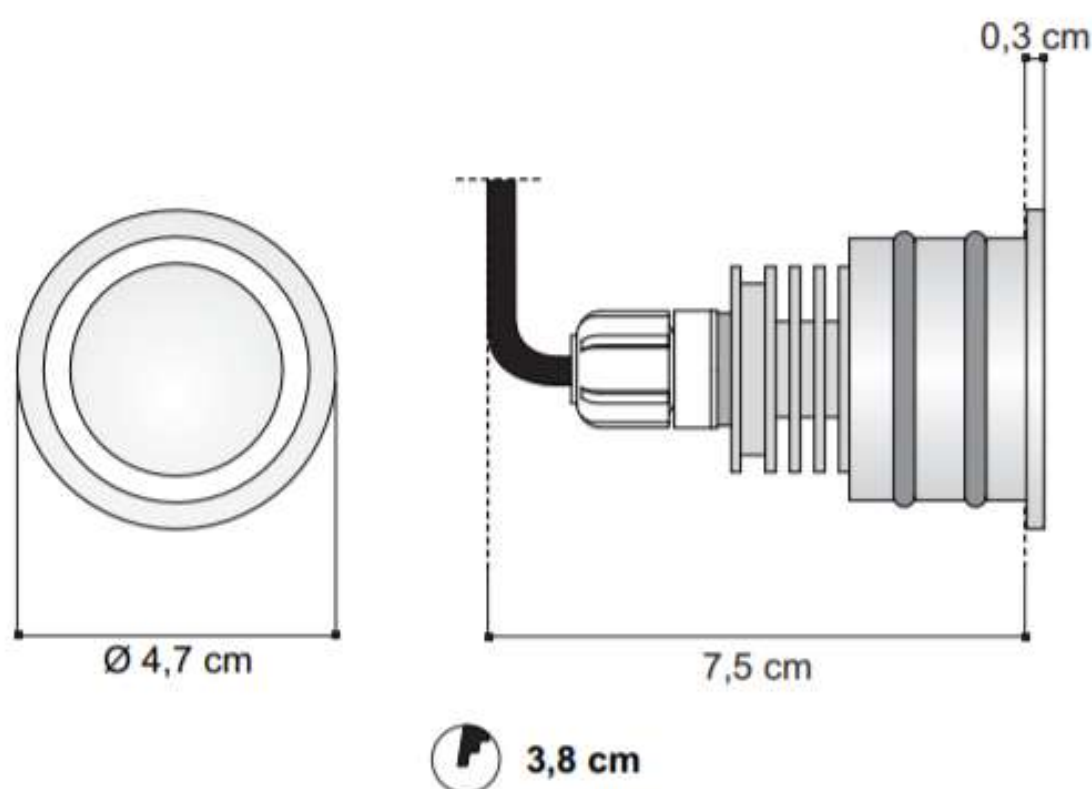


33. B

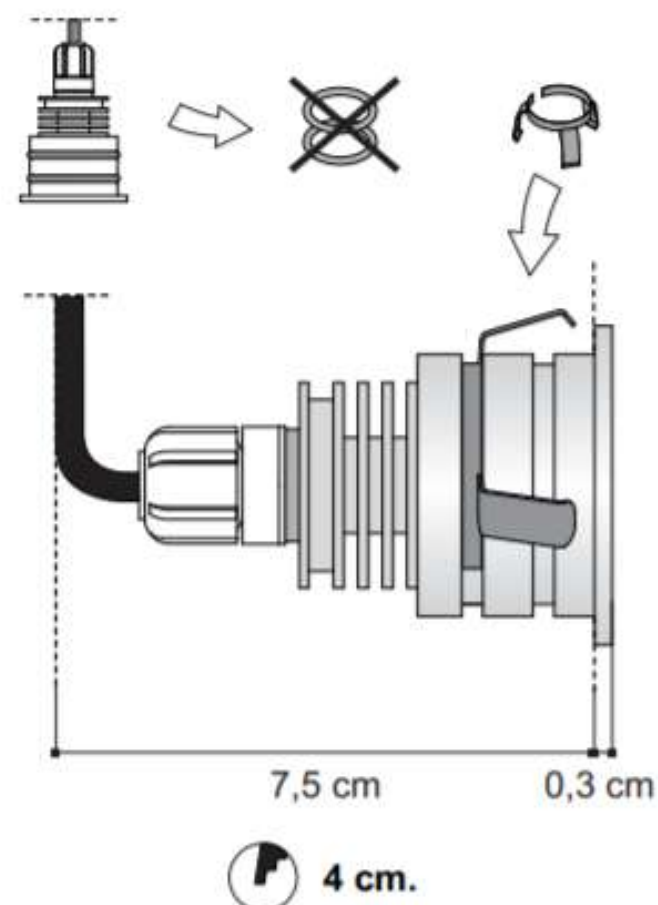


## DIMENSIONS:

Installation in junction box



Installation on plasterboard



## KROSS LIGHT:



### CODE:

6361

### TYPOLOGY:

recessed lamp trampleable

### MATERIALS:

stainless steel AISI 316L

### LIGHT:

marks of light

### BULBS:

/W - LED max 2W 500 mA 209lm 4000K

/WW - LED max 2W 500 mA 199lm 3000K

### IP GRADE:

IP 67

### NET WEIGHT:


0,10 Kg

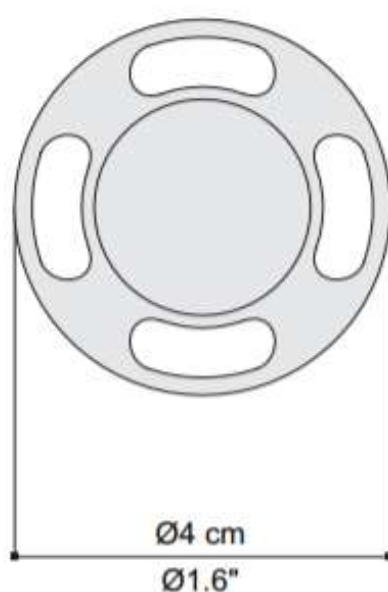
### FINISHING:

.33 matt steel

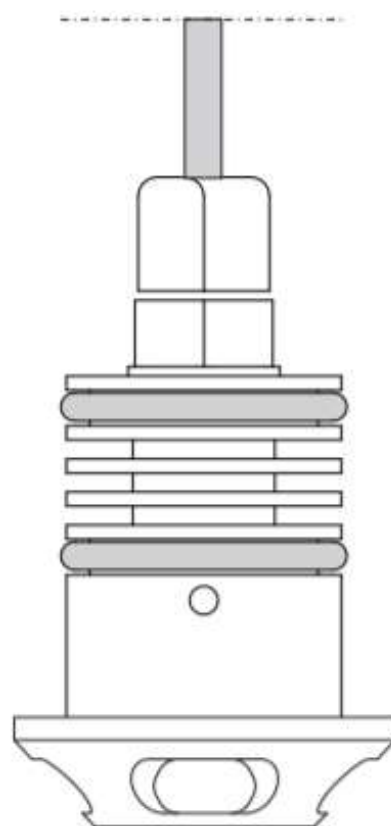
.33/B matt steel - blue led

## DIMENSIONS:

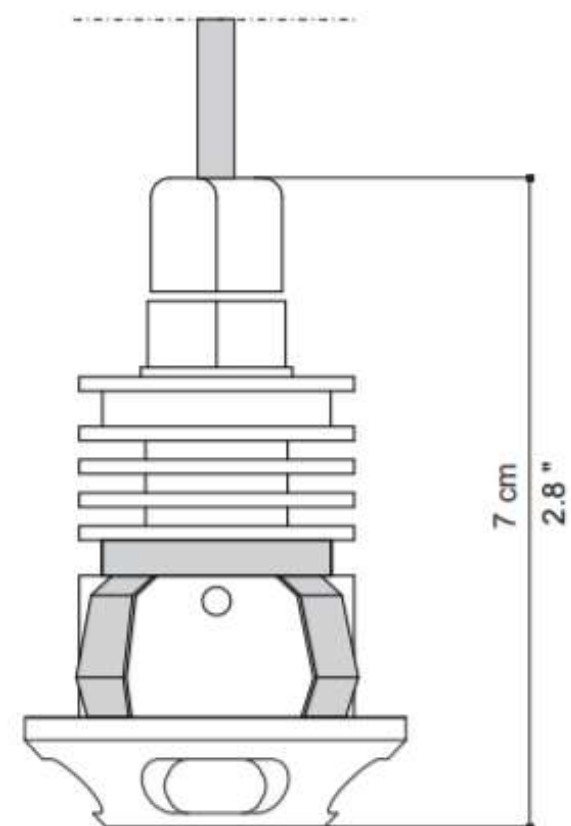
dimensions  
 3 cm.  
 Ø1.2"




**ONLY SERIAL CONNECTION**



Installation in draining junction box  
(IP 67) - art. 0220



Installation on plasterboard

 3,2 cm.  
Ø1.3"

## ZEPPELIN ORIENTABLE LIGHT:



### CODE:

6411

### TPOLOGY:

adjustable walkover spotlight

### MATERIALS:

stainless steel AISI 316L

### LIGHT:

LED

### BULBS:

/W - 11/25/45(OPTIC degree) LED max 2W 500mA 199lm 3000K

/WW - 11/25/45(OPTIC degree) LED max 2W 500mA 209lm 4000K

### IP GRADE:

IP 67

### NET WEIGHT:

0,22 Kg

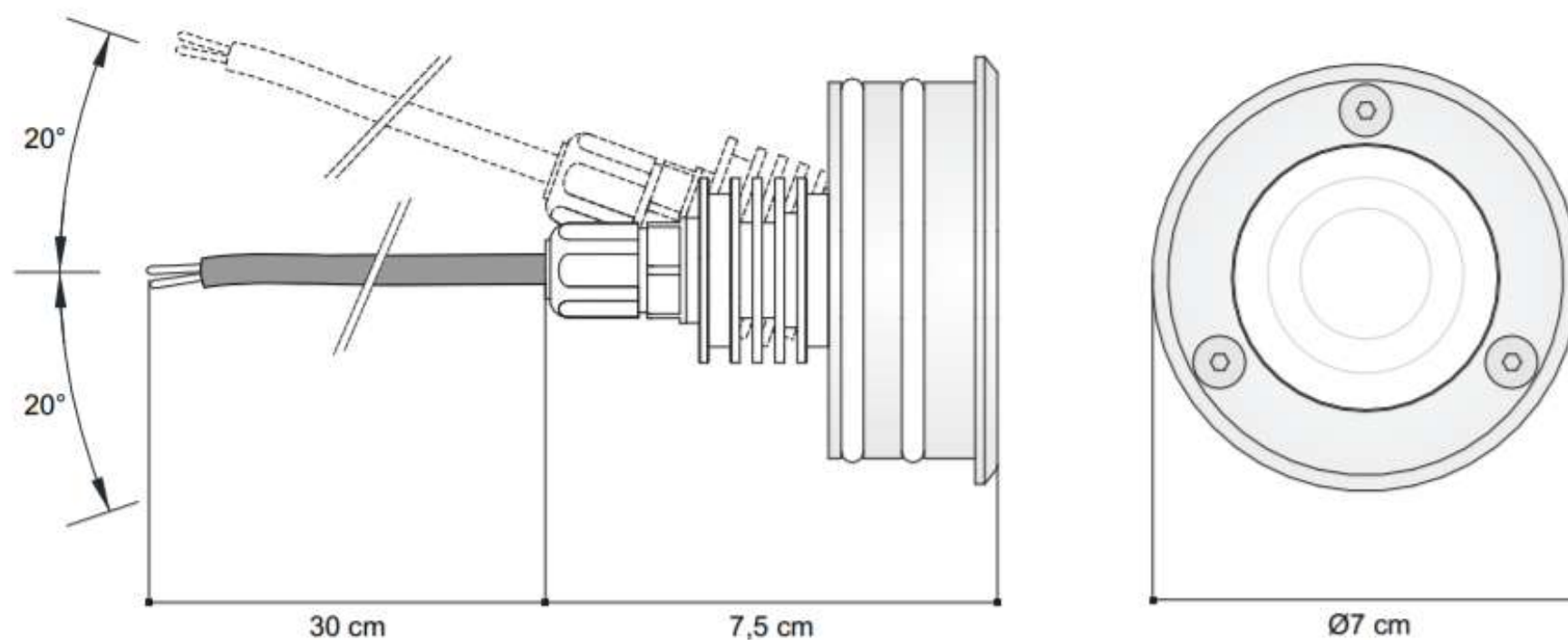
### FINISHING:

.33 matt steel

## DIMENSIONS:



dimensions



**ONLY SERIAL CONNECTION**

## ZEPPELIN 25 PLUS QUADRO LIGHT:



### CODE:

6394

### TPOLOGY:

recessed lamp trampleable

### MATERIALS:

stainless steel AISI 316L

### LIGHT:

direct

### BULBS:

/W - 11/25/45 (OPTIC degree) LED max 2W 500 mA 199lm 3000K

/WW - 11/25/45 (OPTIC degree) LED max 2W 500 mA 209lm 4000K

### IP GRADE:

IP 67

### NET WEIGHT:

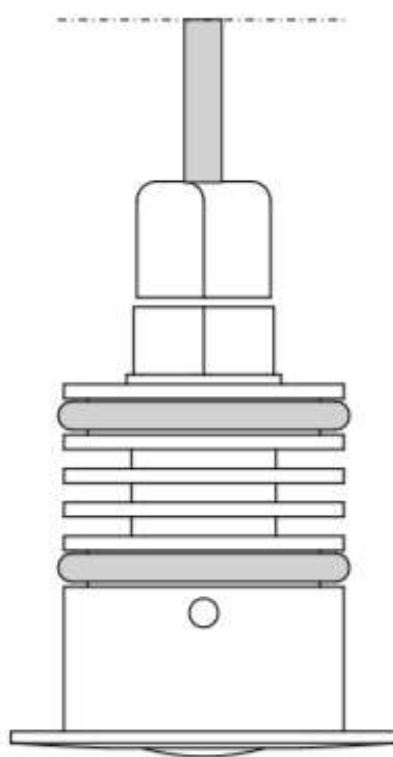
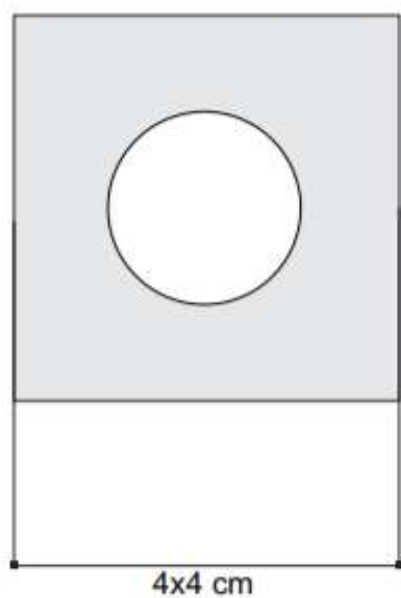
0,10 Kg

### FINISHING:

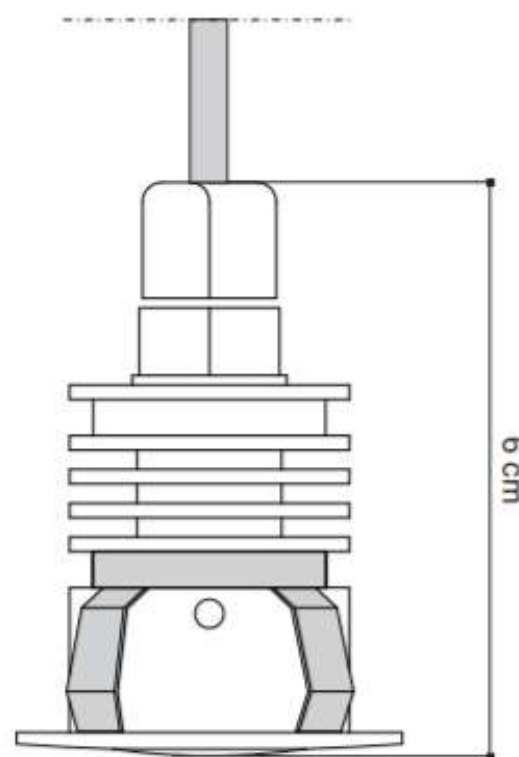
.33 matt steel

## DIMENSIONS:

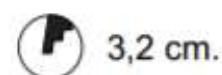
dimensions



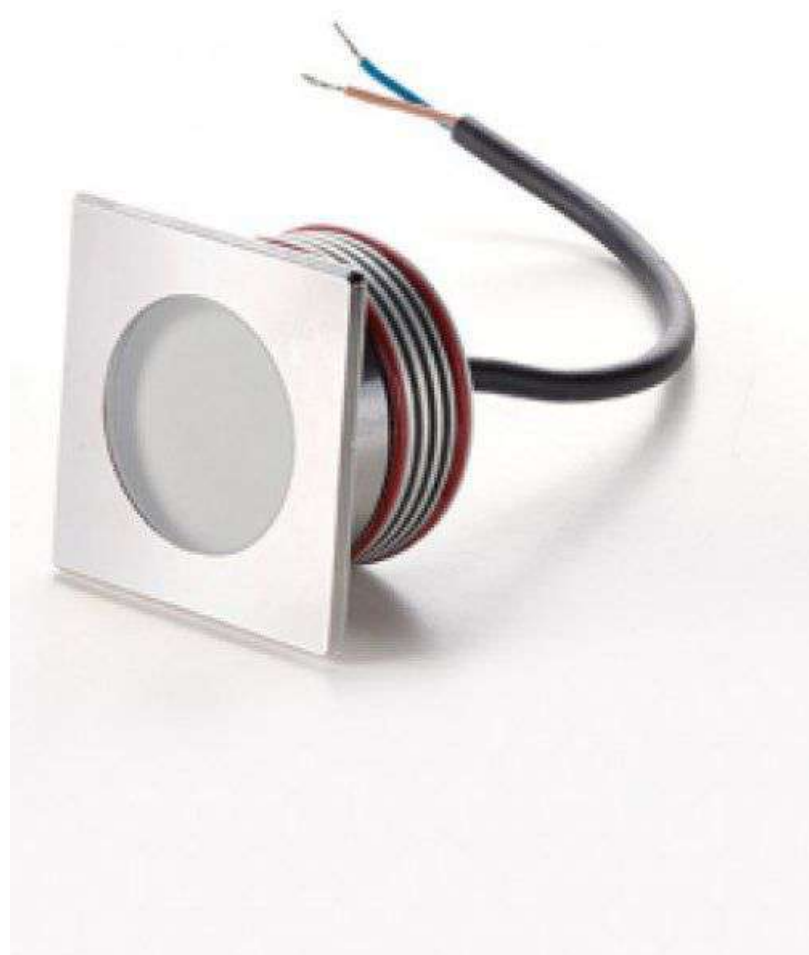
Installation in draining junction box  
(IP 67) - art. 0220



Installation on plasterboard



## ZEPPELIN MAXI QUADRO:



**CODE:**

6383

**TPOLOGY:**

recessed lamp walkover

**MATERIALS:**

stainless steel AISI 316L

**LIGHT:**

diffuse

**BULBS:**

/W - LED max 3x1 W 350mA 453lm 4000K

/WW - LED max 3x1 W 350mA 429lm 3000K

**IP GRADE:**

IP 67

**NET WEIGHT:**

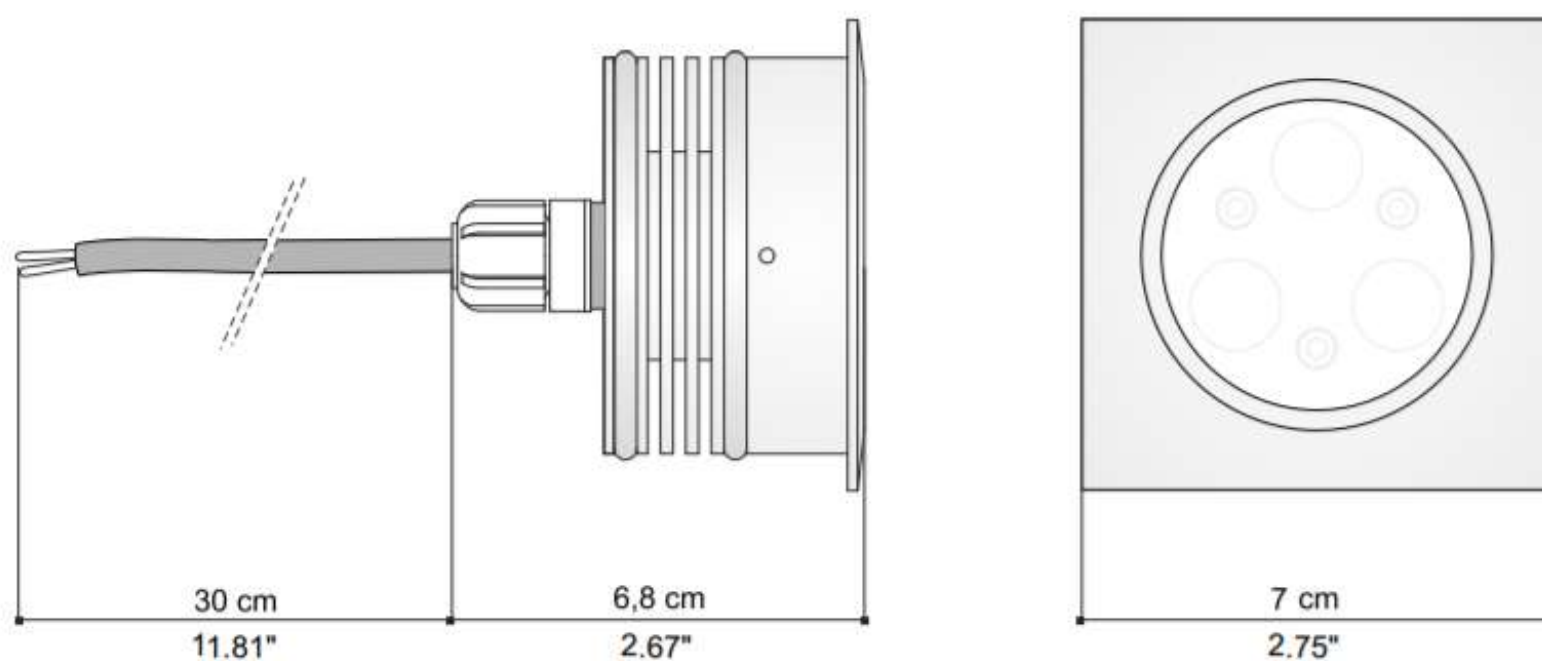
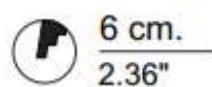
0,40 Kg

**FINISHING:**

.33 matt steel

**DIMENSIONS:**

dimensions



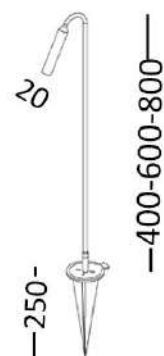
**ONLY SERIAL CONNECTION**

## DRAGONFLY



IP 65

IK 07



### MODEL:

Code	NOP1H
Product family	Outdoor Lighting

### TECHNICAL DETAILS:

Installation	into the ground with the supplied spike
Class	III
Power	2 W
Luminous flux	200 lm
LED color	2700K, 3000K
Resistance to breakage	IK 07
Protection degree	IP 65
Material	stainless steel AISI 316L
Weight	1, 1,5, 1,7 kg
Optics	30°
Driver	not included
Cables	wired with 3 m H05RNF
Diffuser	transparent
Optional accessories	drivers 500 mA
Supply	500mA

It respects the laws against lighting pollution  
Spike fixing to be put into the ground

### COLORS:



.IN

Inox



.BT

Browntech



.NB

Natural Black