

SCILLA PLANTER



BODY:

Scilla Planters are made from 100% recycled plastic. They are weather and rot-resistant, heavy-duty yet easy to install. The Scilla Planters are maintenance-free and resistant to oils, brines, acids, and saltwater. They are comparatively lightweight, meaning no heavy equipment is required for installation. The Scilla is a popular planter that's available in five different sizes – three square and two rectangular. The protruding corners give the Scilla a rustic, log cabin-like feel but this popular planter is equally at home in urban surroundings. Height can be increased with a 12 cm add-on layer.



DIMENSIONS:

Square sizes:	70 x 70 cm, 110 x 110 cm, 140 x 140 cm
Rectangular sizes:	110 x 140 x 110 cm, 70 x 140 x 110 cm
Height:	44 cm; 56 cm with a 12 cm add-on-ring
Many possible variations.	
Completely assembled.	
Measurements are outside dimensions.	
Other sizes are available on request.	
Side profile:	6 x 12 cm.
Base:	2 cm thick.
Plinth height:	6 cm.

HOW TO ORDER:

NAME OF THE PLANTER:

SIZE:

NAME OF THE LIGHT:

QUANTITY OF LIGHTS:

POSITIONING OF LIGHT:

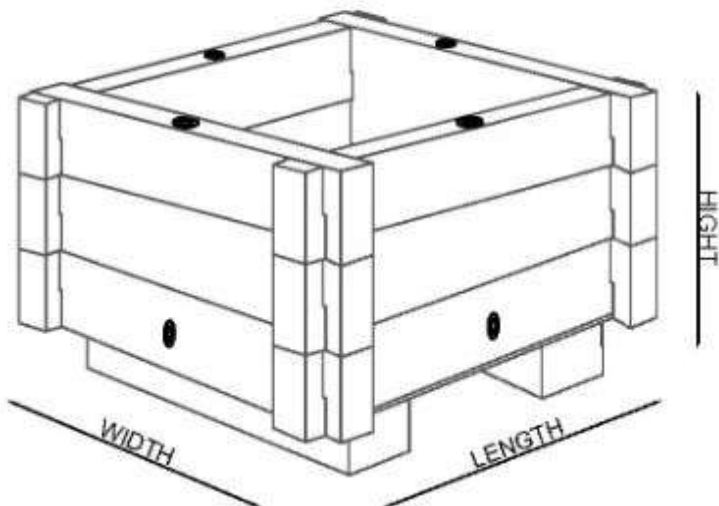
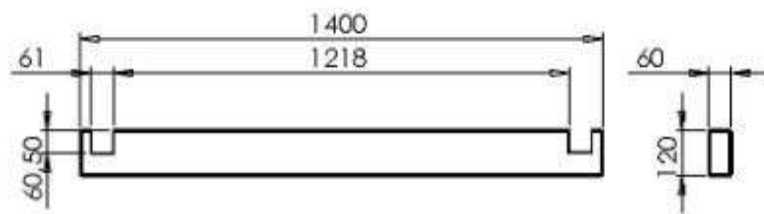
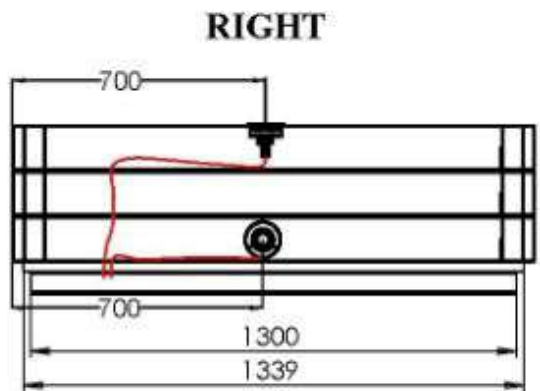
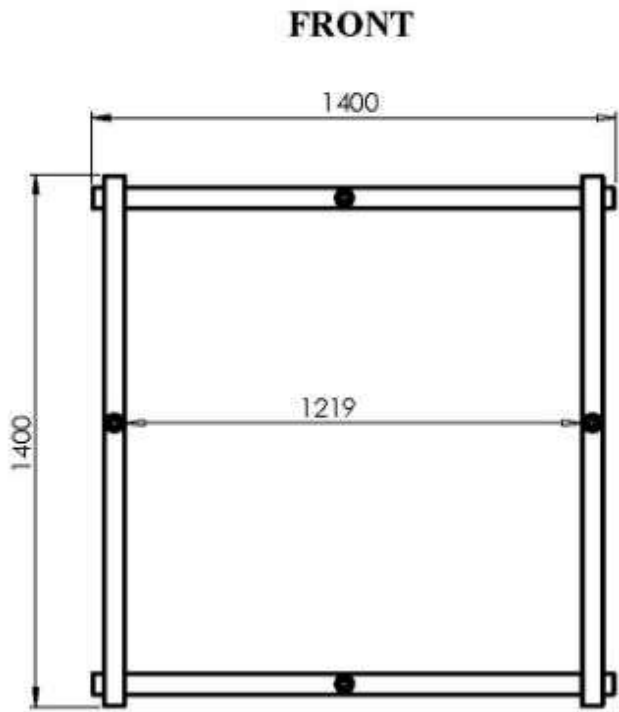
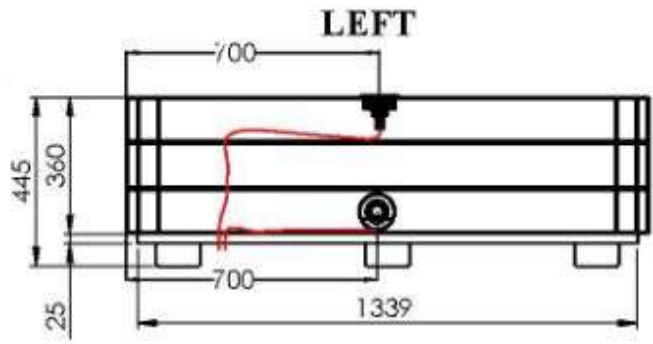
FOR EXAMPLE: Scilla planter / Square: 70x70cm, height 56cm / KROSS light / 8 lights / 1 light on each side of the planter + 4 at the top

NOTE: On the next pages the description of the lights and positioning of them is given.



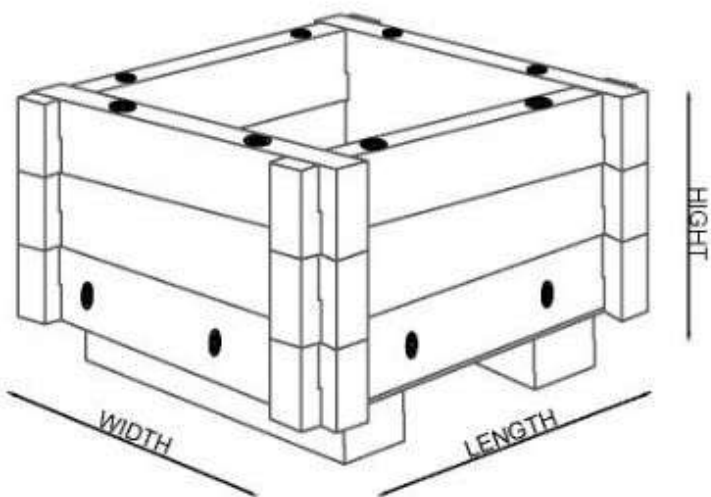
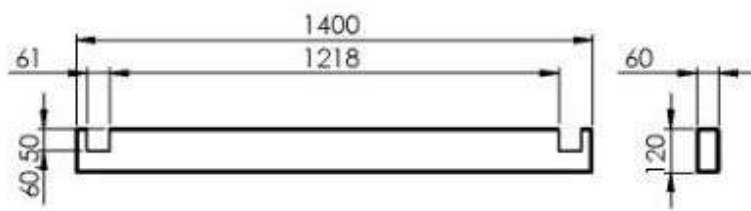
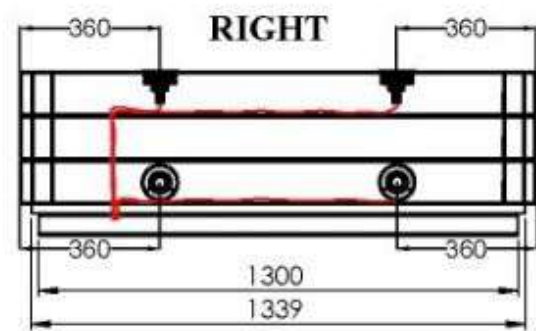
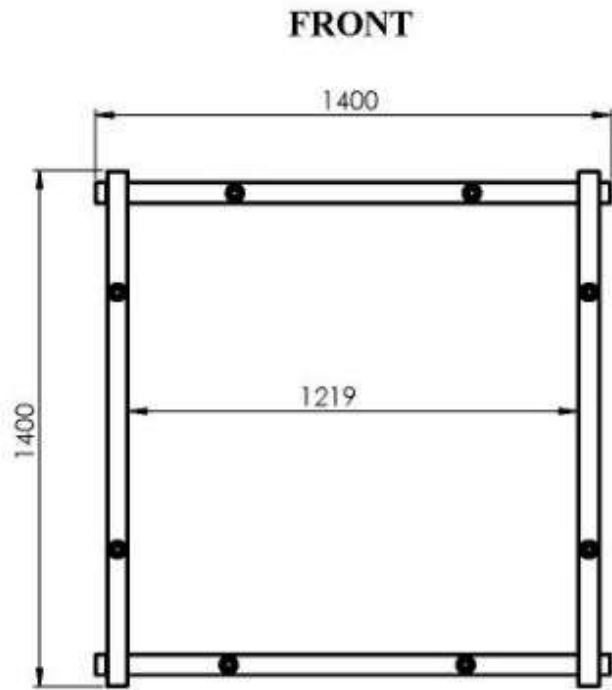
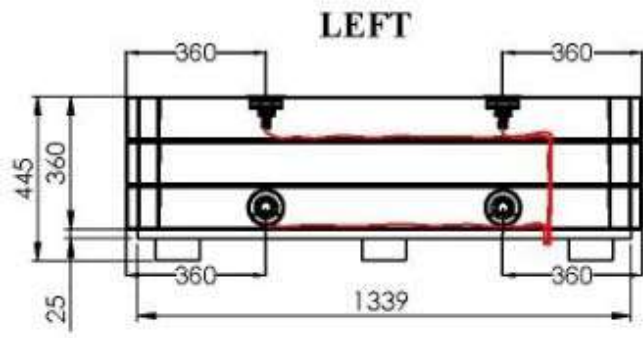


EXAMPLES OF POSITIONING OF LIGHTS:



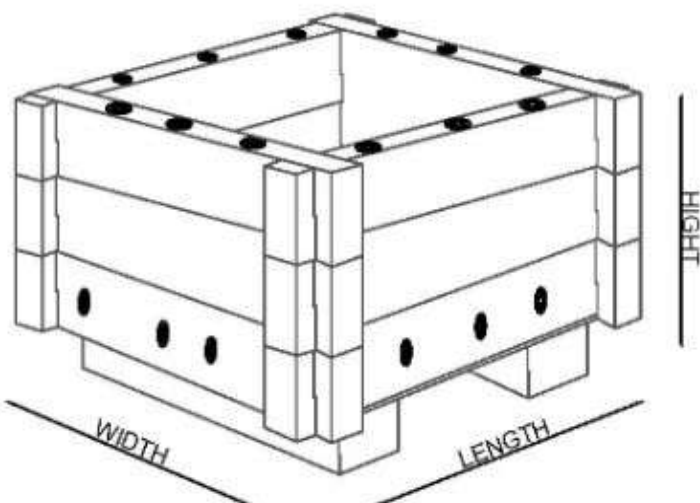
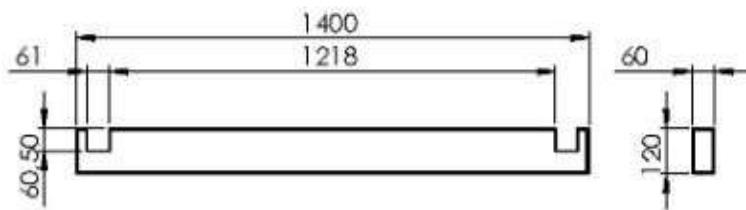
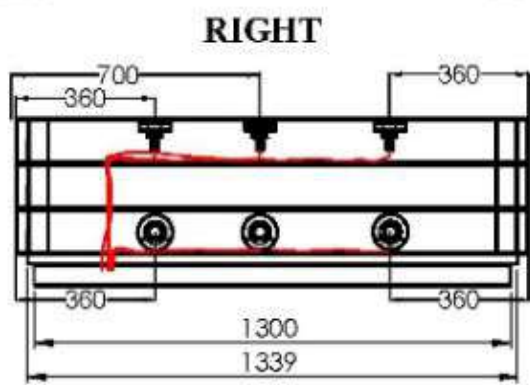
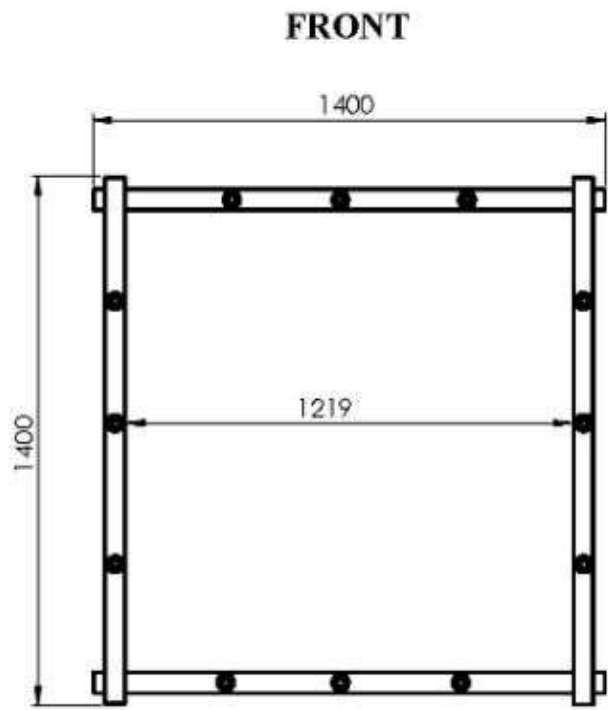
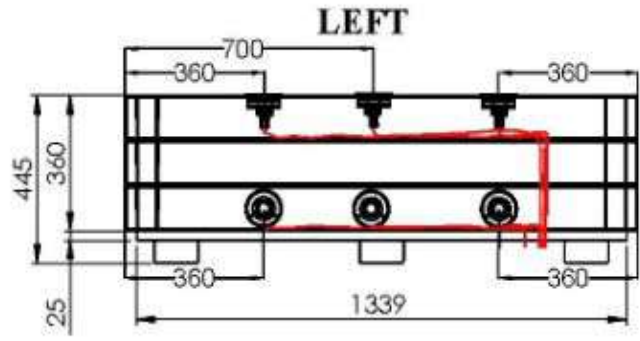


EXAMPLES OF POSITIONING OF LIGHTS:



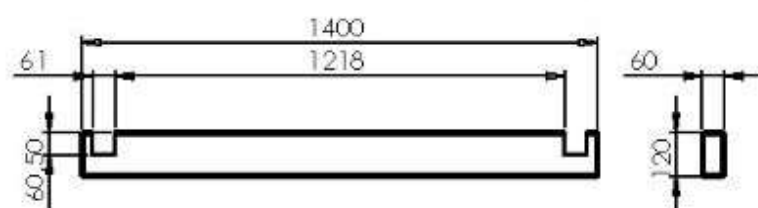
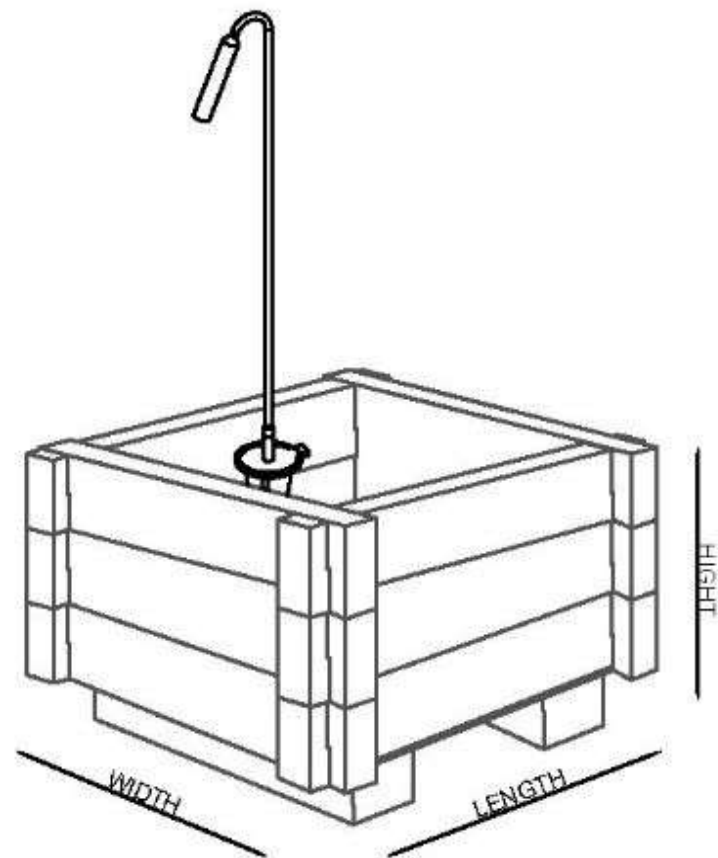
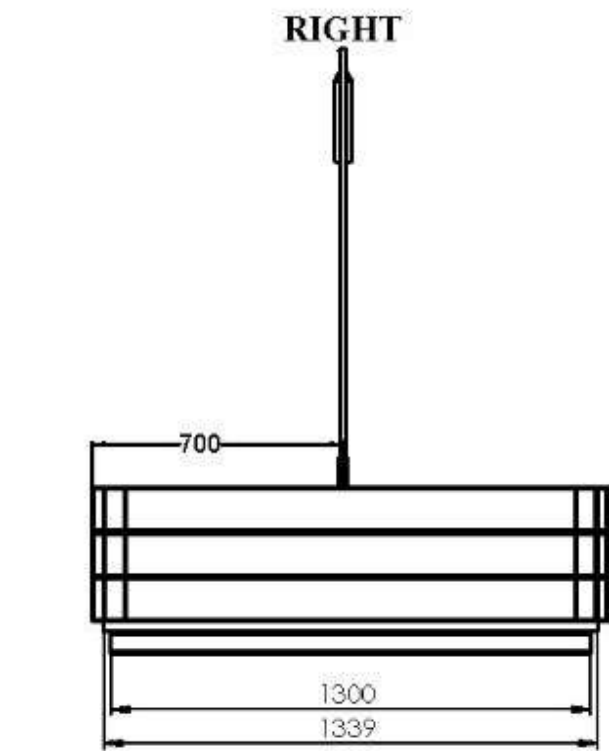
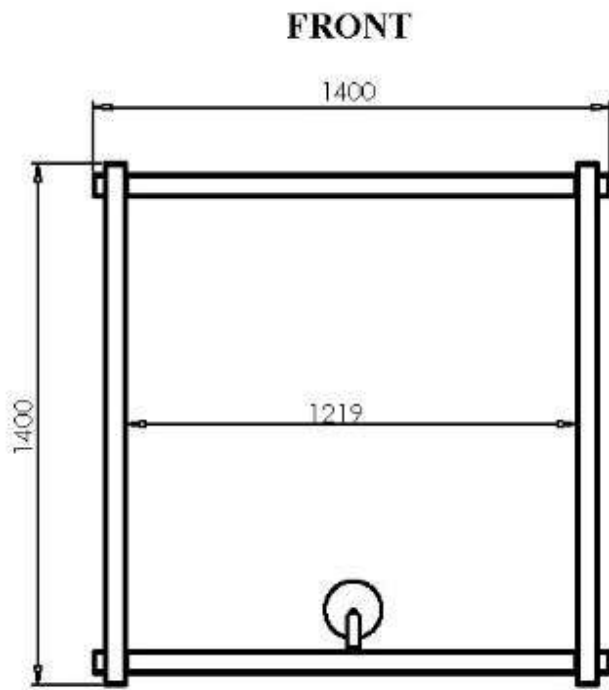
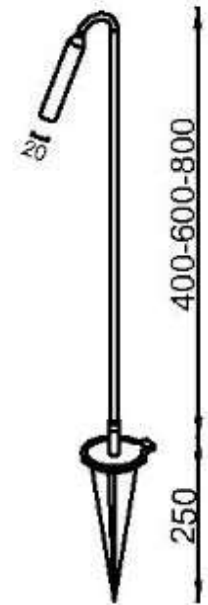
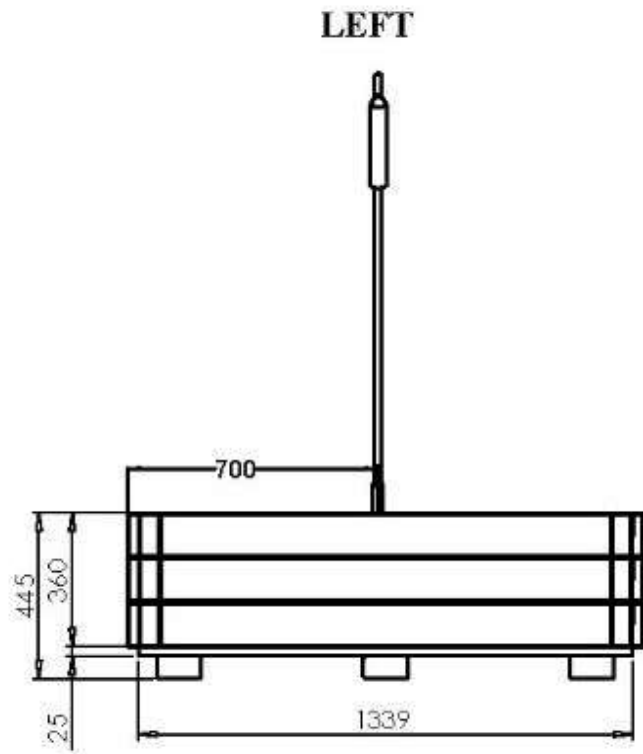


EXAMPLES OF POSITIONING OF LIGHTS:



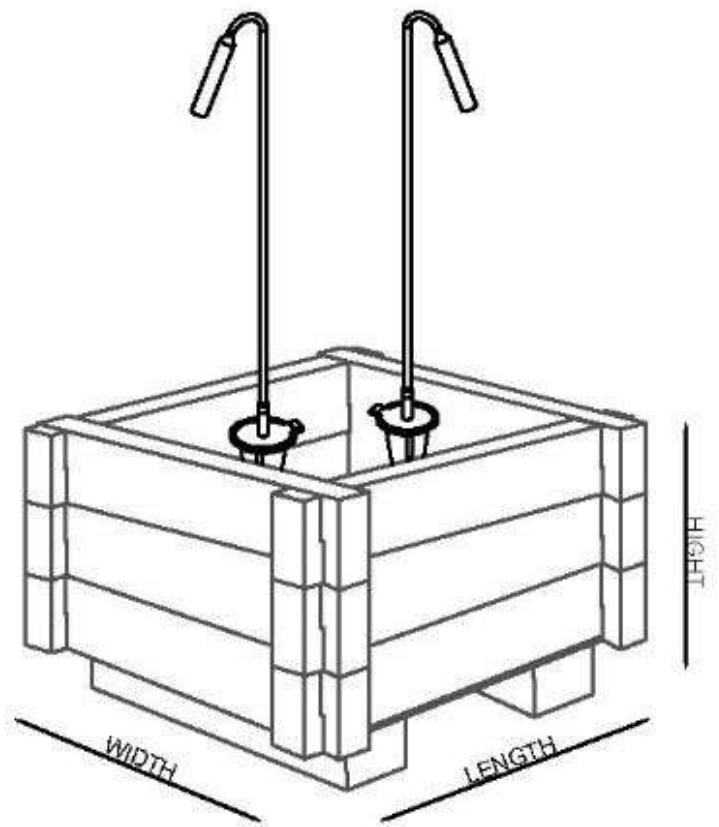
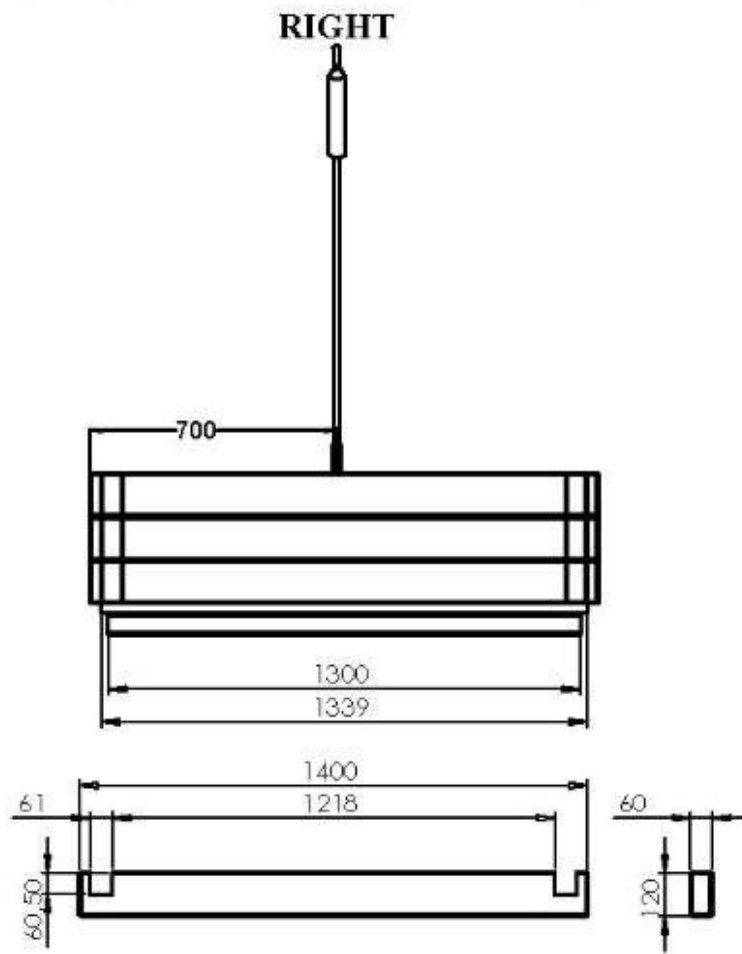
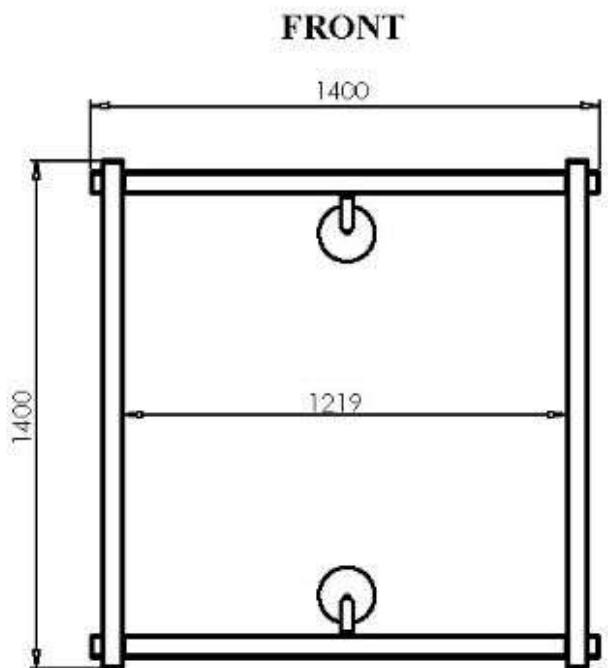
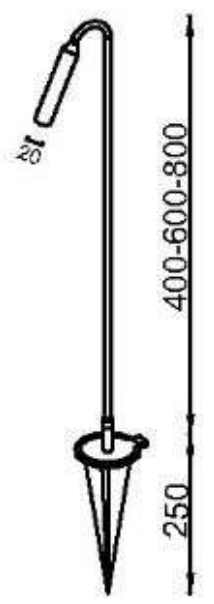
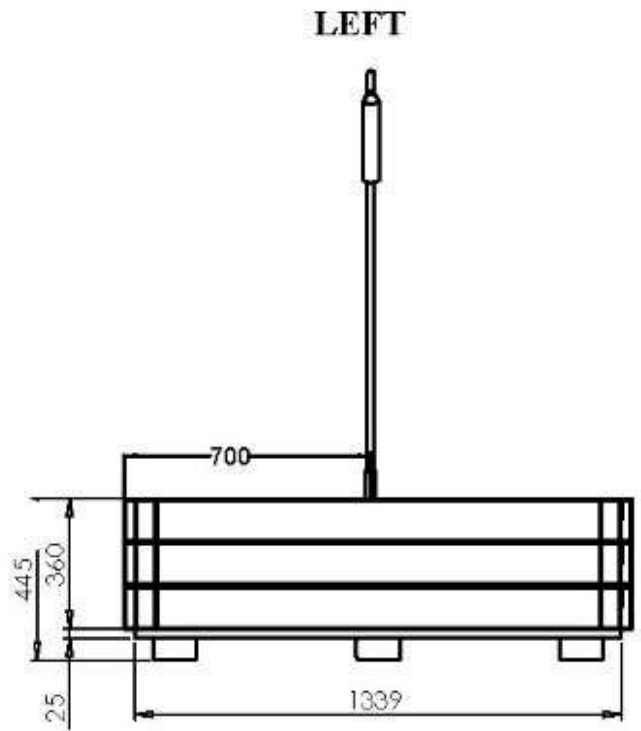


EXAMPLES OF POSITIONING OF LIGHTS:



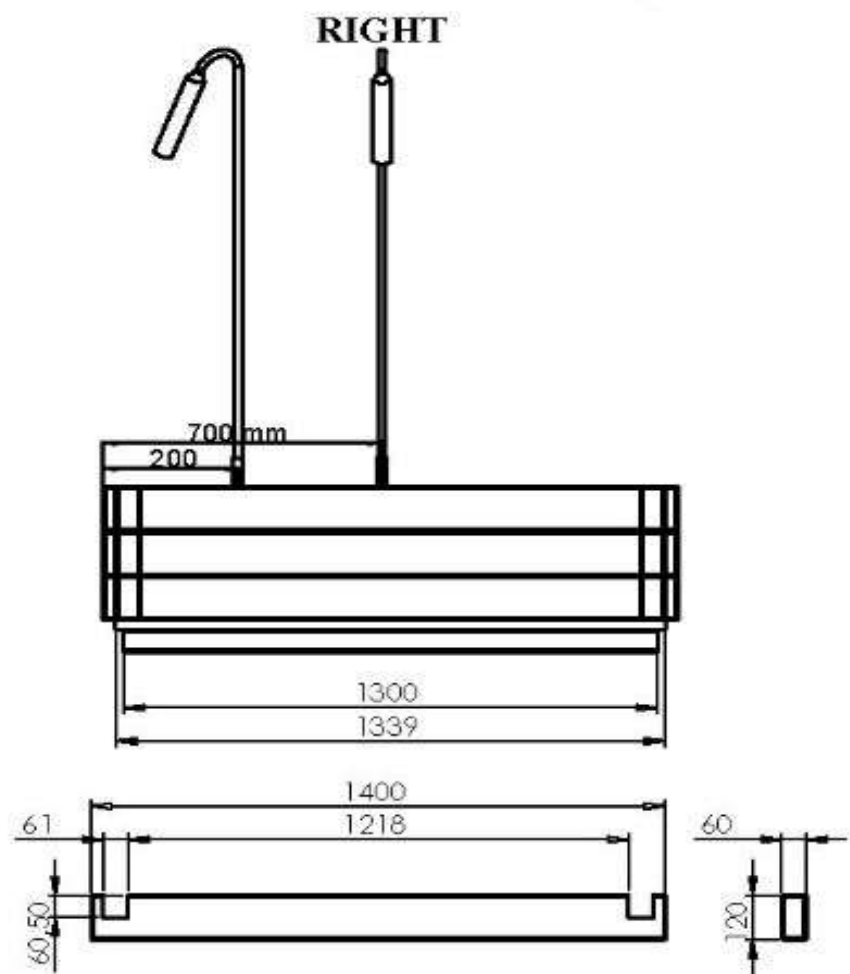
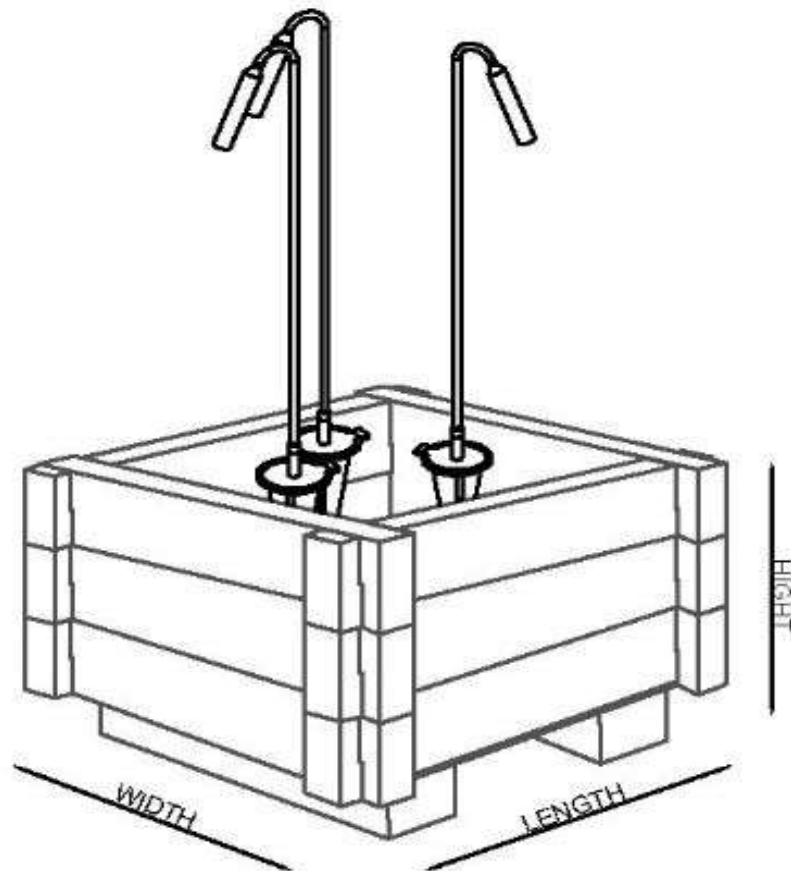
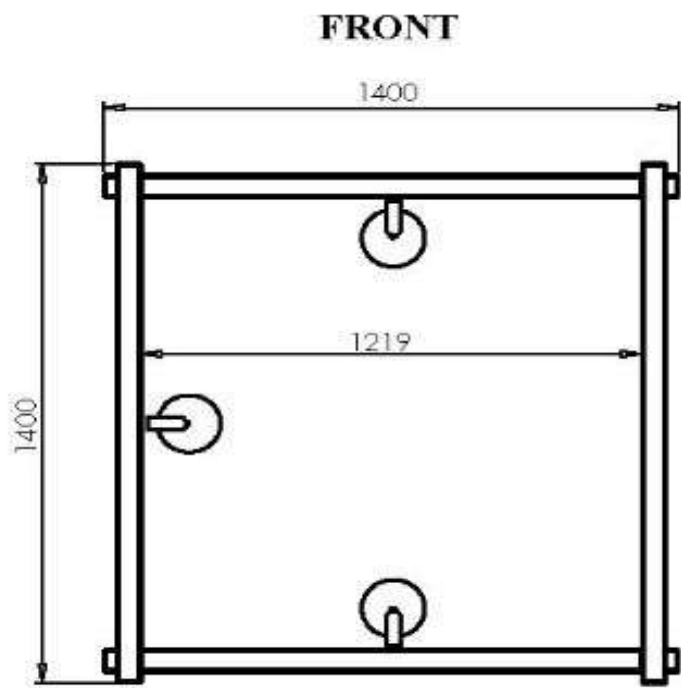
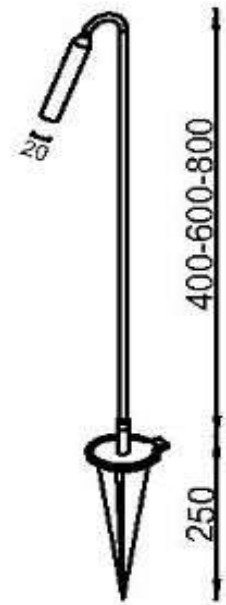
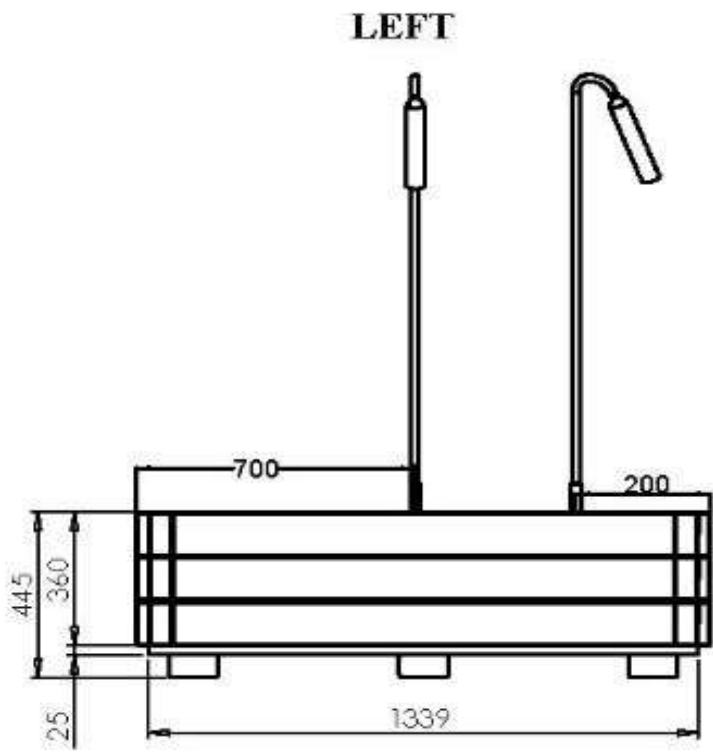


EXAMPLES OF POSITIONING OF LIGHTS:



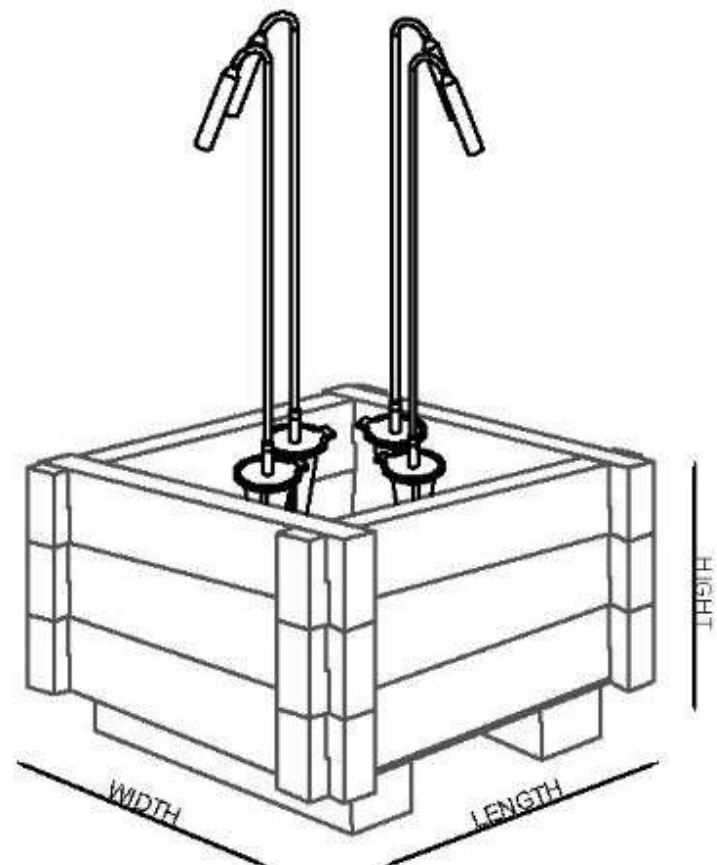
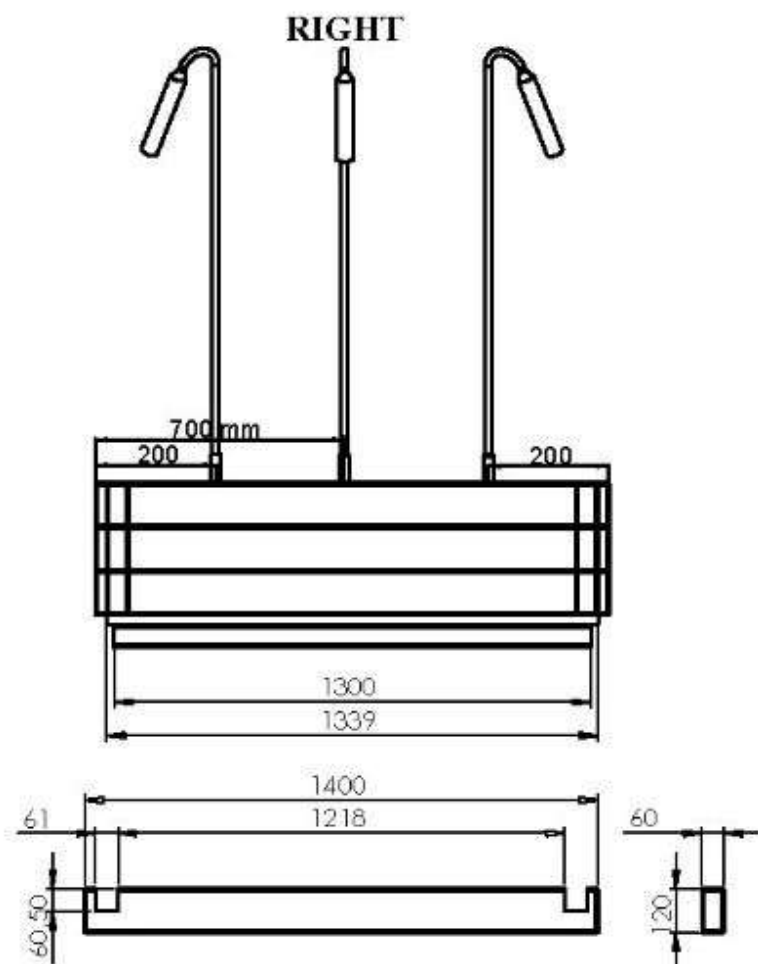
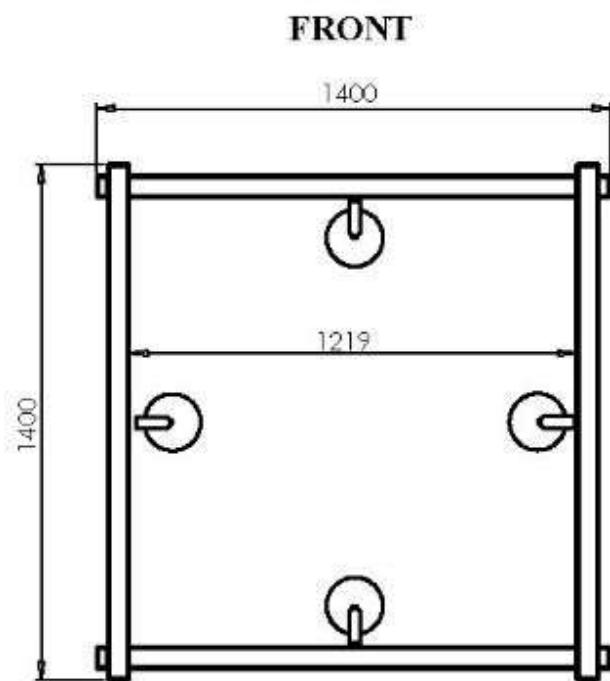
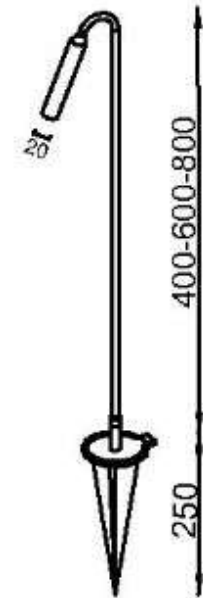
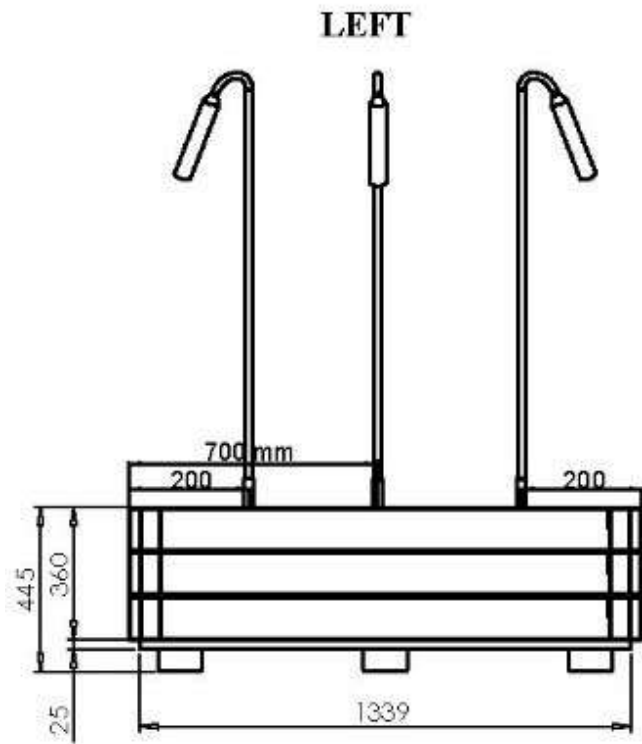


EXAMPLES OF POSITIONING OF LIGHTS:





EXAMPLES OF POSITIONING OF LIGHTS:



CERCHIO LIGHT:

CODE:

6389

TPOLOGY:

walkover recessed spot

MATERIALS:

stainless steel AISI 316L

LIGHTS:

LED

BULBS:

/W - LED max 2W 500 mA 209lm 4000K

/WW - LED max 2W 500 mA 199lm 3000K

IP GRADE:

IP 67

NET WEIGHT:

0,20 Kg

FINISHING:

.33 MATT STEEL



33. W

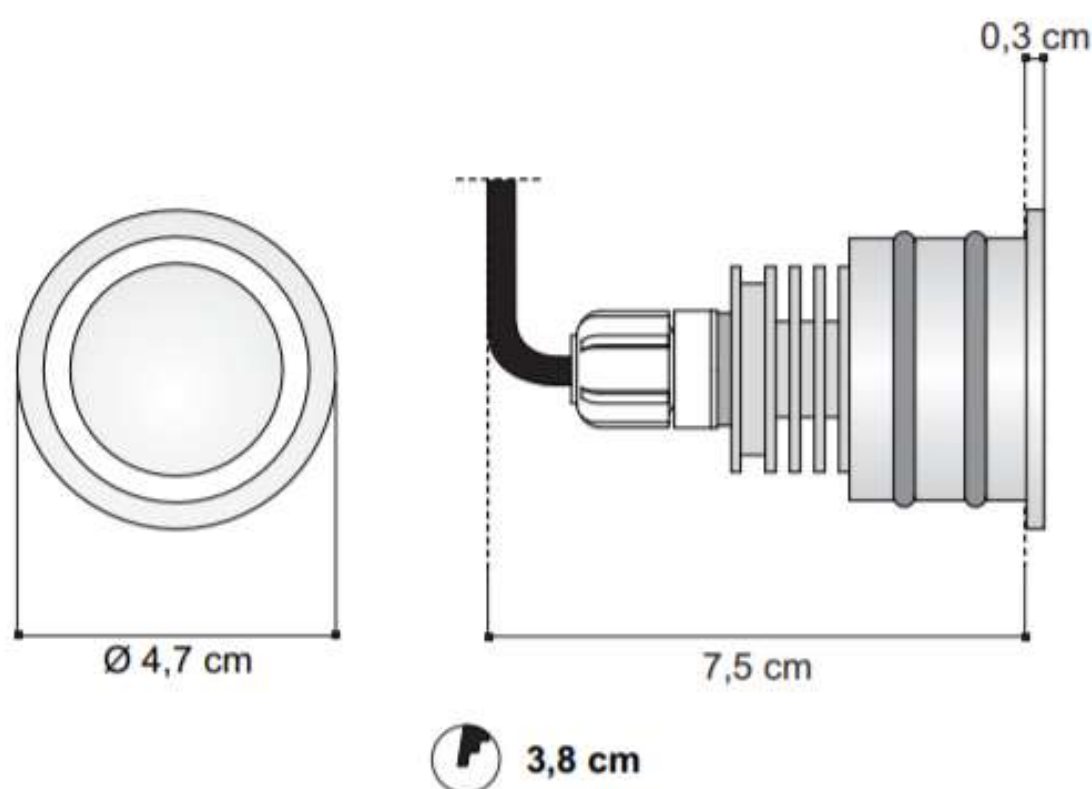


33. B

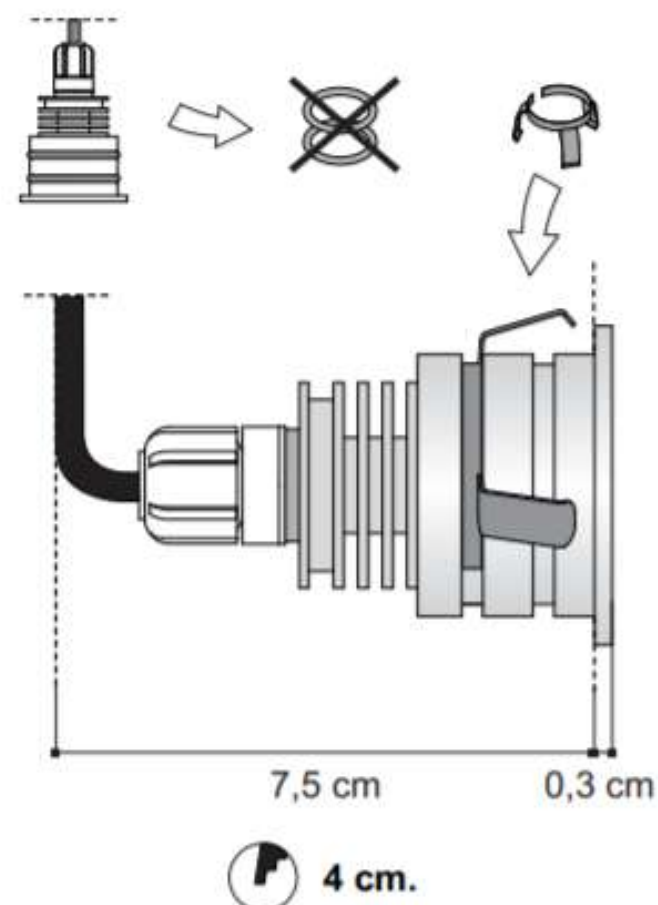


DIMENSIONS:

Installation in junction box



Installation on plasterboard



KROSS LIGHT:



CODE:

6361

TYPOLOGY:

recessed lamp trampleable

MATERIALS:

stainless steel AISI 316L

LIGHT:

marks of light

BULBS:

/W - LED max 2W 500 mA 209lm 4000K

/WW - LED max 2W 500 mA 199lm 3000K

IP GRADE:

IP 67

NET WEIGHT:

0,10 Kg


FINISHING:

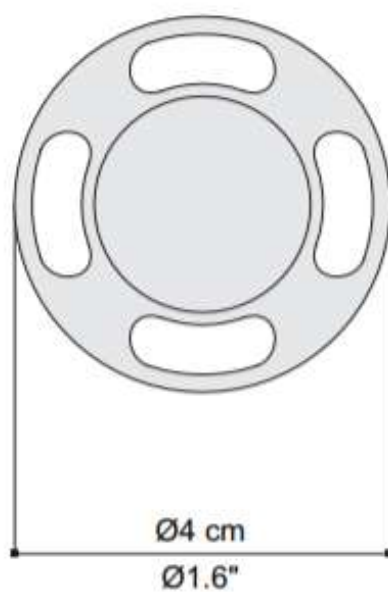
.33 matt steel

.33/B matt steel - blue led

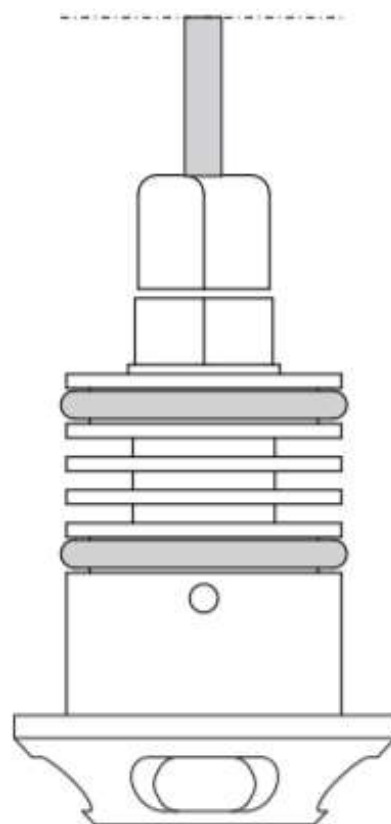


DIMENSIONS:

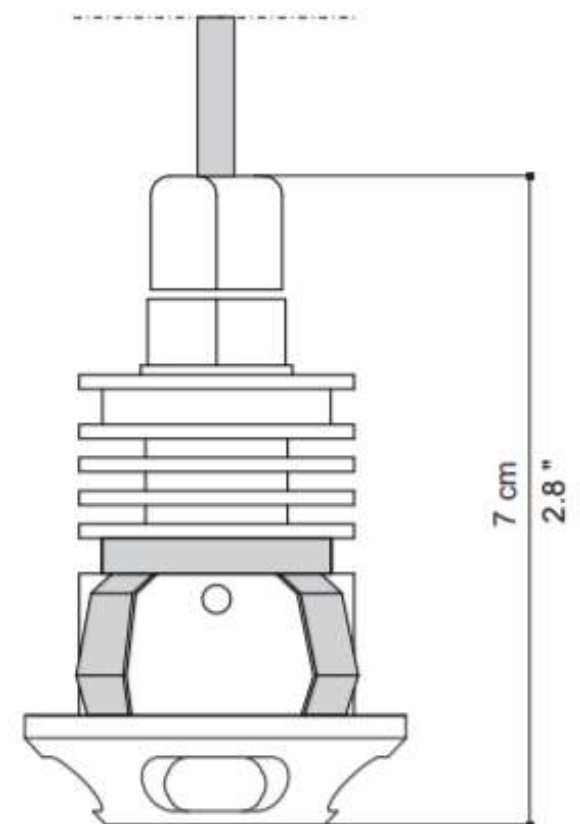
dimensions
 3 cm.
 Ø1.2"




ONLY SERIAL CONNECTION



Installation in draining junction box
(IP 67) - art. 0220



Installation on plasterboard

 3,2 cm.
 Ø1.3"

ZEPPELIN ORIENTABLE LIGHT:



CODE:

6411

TPOLOGY:

adjustable walkover spotlight

MATERIALS:

stainless steel AISI 316L

LIGHT:

LED

BULBS:

/W - 11/25/45(OPTIC degree) LED max 2W 500mA 199lm 3000K

/WW - 11/25/45(OPTIC degree) LED max 2W 500mA 209lm 4000K

IP GRADE:

IP 67

NET WEIGHT:

0,22 Kg

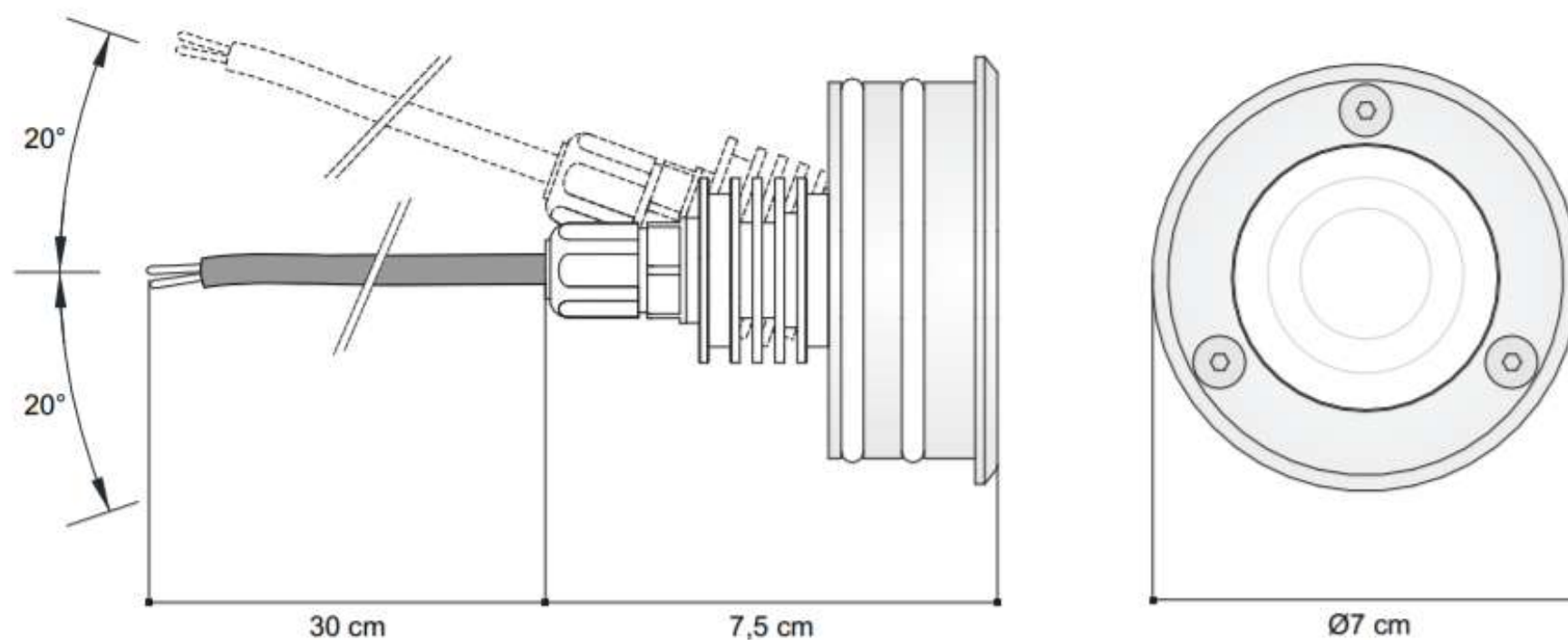
FINISHING:

.33 matt steel

DIMENSIONS:



dimensions



ONLY SERIAL CONNECTION

ZEPPELIN 25 PLUS QUADRO LIGHT:



CODE:

6394

TPOLOGY:

recessed lamp trampleable

MATERIALS:

stainless steel AISI 316L

LIGHT:

direct

BULBS:

/W - 11/25/45 (OPTIC degree) LED max 2W 500 mA 199lm 3000K

/WW - 11/25/45 (OPTIC degree) LED max 2W 500 mA 209lm 4000K

IP GRADE:

IP 67

NET WEIGHT:

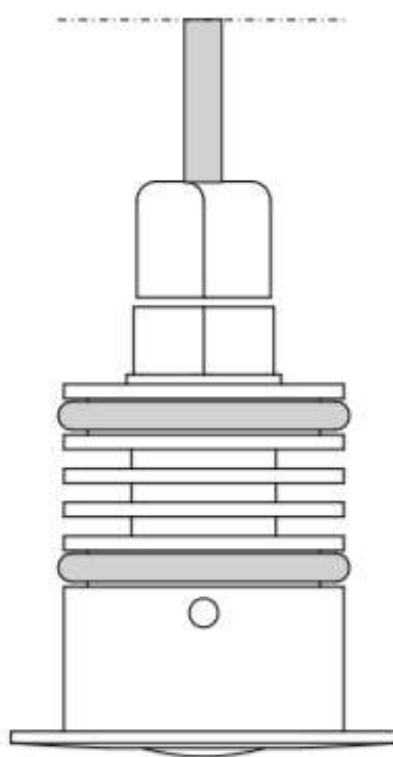
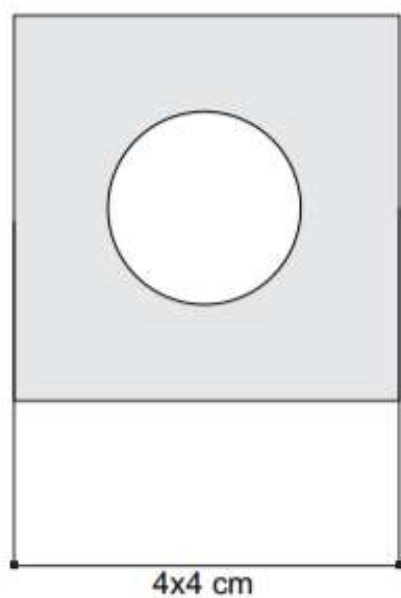
0,10 Kg

FINISHING:

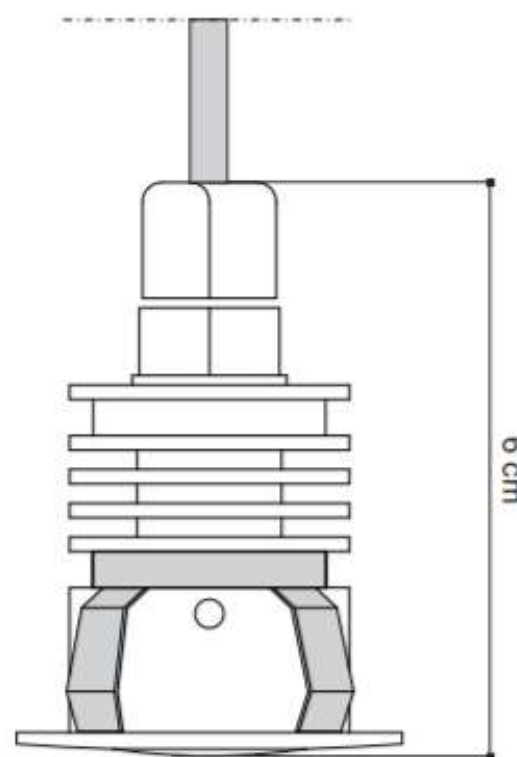
.33 matt steel

DIMENSIONS:

dimensions



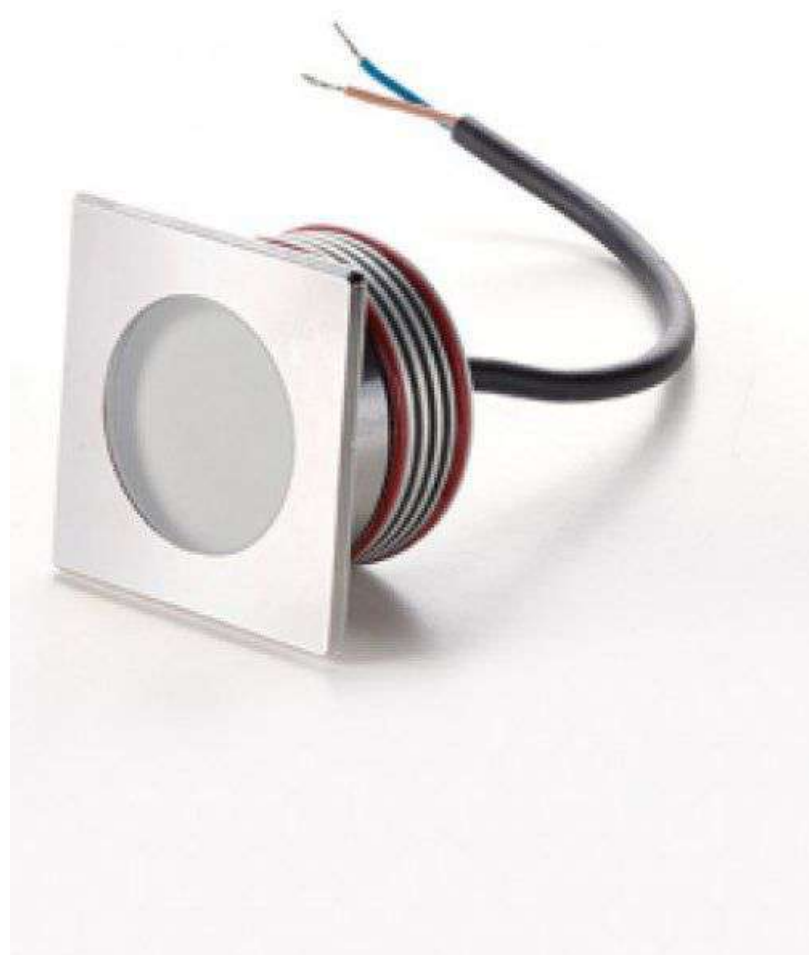
Installation in draining junction box
(IP 67) - art. 0220



Installation on plasterboard



ZEPPELIN MAXI QUADRO:



CODE:

6383

TPOLOGY:

recessed lamp walkover

MATERIALS:

stainless steel AISI 316L

LIGHT:

diffuse

BULBS:

/W - LED max 3x1 W 350mA 453lm 4000K

/WW - LED max 3x1 W 350mA 429lm 3000K

IP GRADE:

IP 67

NET WEIGHT:

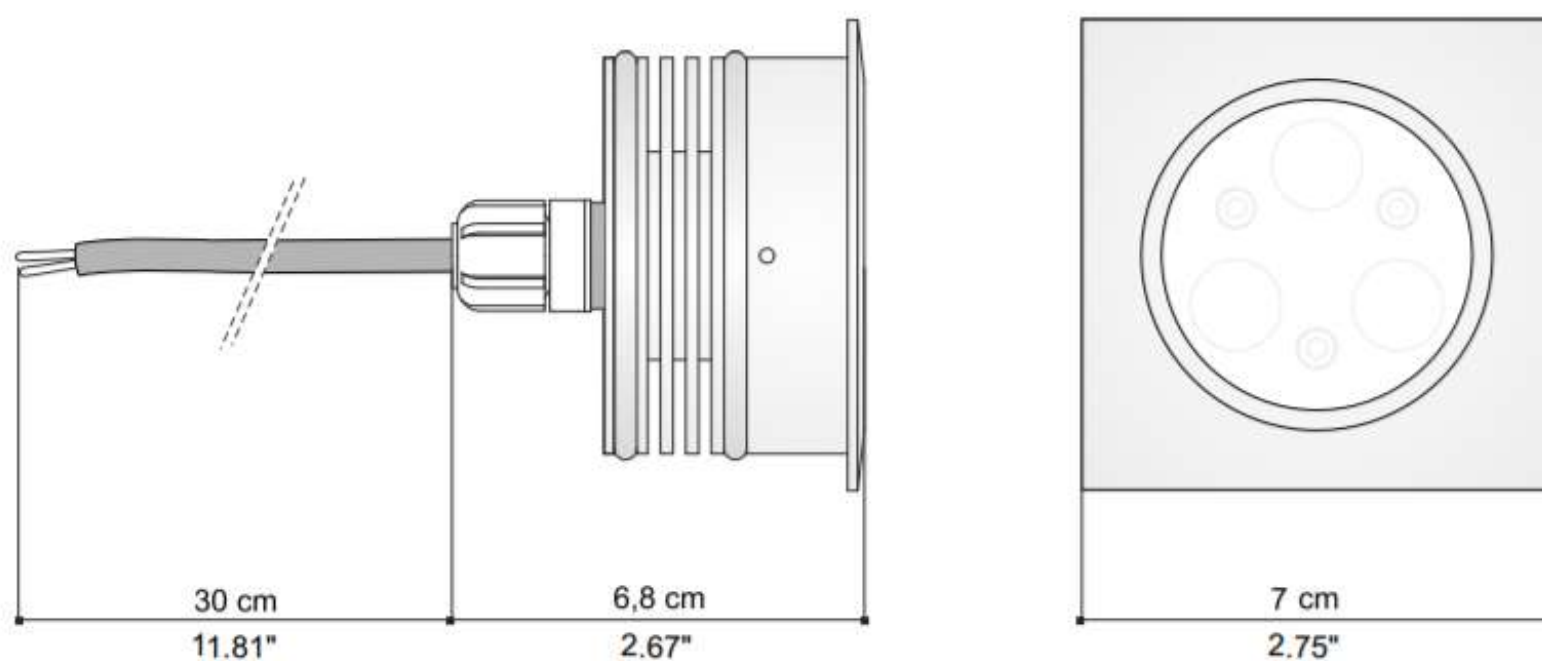
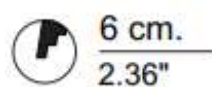
0,40 Kg

FINISHING:

.33 matt steel

DIMENSIONS:

dimensions



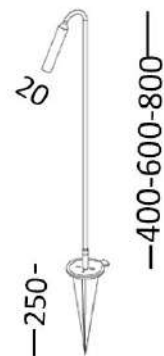
ONLY SERIAL CONNECTION

DRAGONFLY



IP 65

IK 07



MODEL:

Code	NOP1H
Product family	Outdoor Lighting

TECHNICAL DETAILS:

Installation	into the ground with the supplied spike
Class	III
Power	2 W
Luminous flux	200 lm
LED color	2700K, 3000K
Resistance to breakage	IK 07
Protection degree	IP 65
Material	stainless steel AISI 316L
Weight	1, 1,5, 1,7 kg
Optics	30°
Driver	not included
Cables	wired with 3 m H05RNF
Diffuser	transparent
Optional accessories	drivers 500 mA
Supply	500mA

It respects the laws against lighting pollution
Spike fixing to be put into the ground

COLORS:



.IN

Inox



.BT

Browntech



.NB

Natural Black