

VINCA PLANTER



BODY:

Vinca Planters are made from 100% recycled plastic. They are weather and rot-resistant, heavy-duty yet easy to install. The Vinca Planters are maintenance-free and resistant to oils, brines, acids, and saltwater. They are comparatively lightweight, meaning no heavy equipment is required for installation. The Vinca's eye-catching hexagonal design is available in four different sizes. If required, the Vinca can be further adapted with add-on layers, which increase the height by 12 cm per section. Adaptable, versatile and stylish: that's the Vinca.

DIMENSIONS:



Outer diameter:	Between 88 and 166 cm
Height:	44 cm
Height can be increased with add-on layers	
Distinctive hexagonal shape	
Many sizes and variations	
Completely assembled.	
Measurements are outside dimensions.	
Other sizes are available on request.	
Side profile:	6 x 12 cm.
Base:	2 cm thick.
Plinth height:	6 cm.

HOW TO ORDER:

NAME OF THE PLANTER:

SIZE:

NAME OF THE LIGHT:

QUANTITY OF LIGHTS:

POSITIONING OF LIGHT:

FOR EXAMPLE: Vinca planter / 108 x 62 x 44 cm, height 44cm / KROSS light / 6 lights / 1 light on each side of the planter + 6 at the top

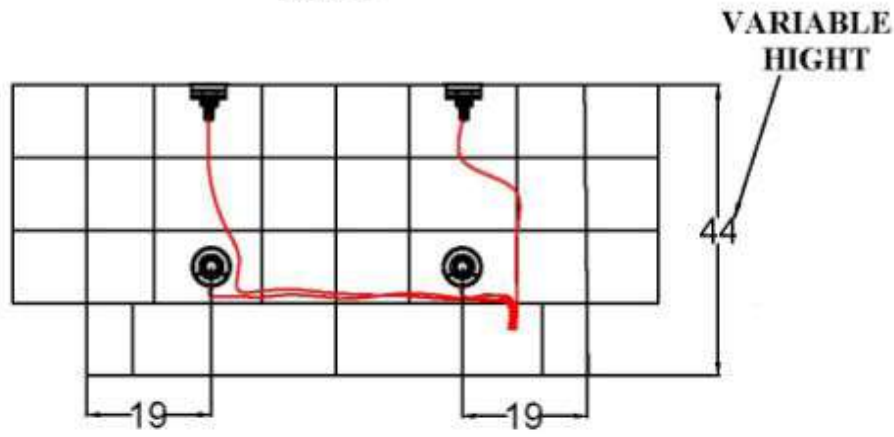
NOTE: On the next pages the description of the lights and positioning of them is given.



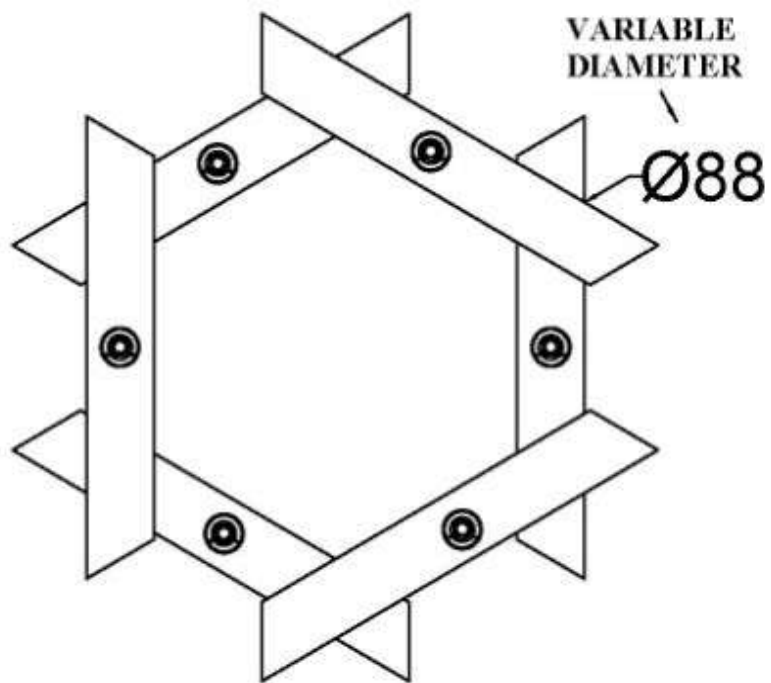


EXAMPLES OF POSITIONING OF LIGHTS:

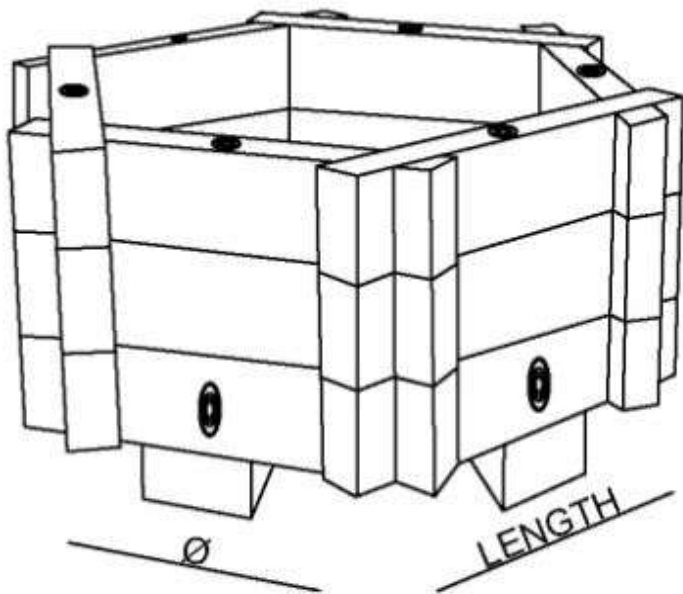
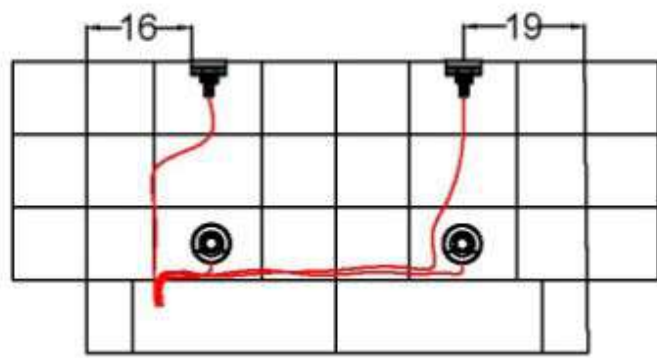
LEFT



FRONT

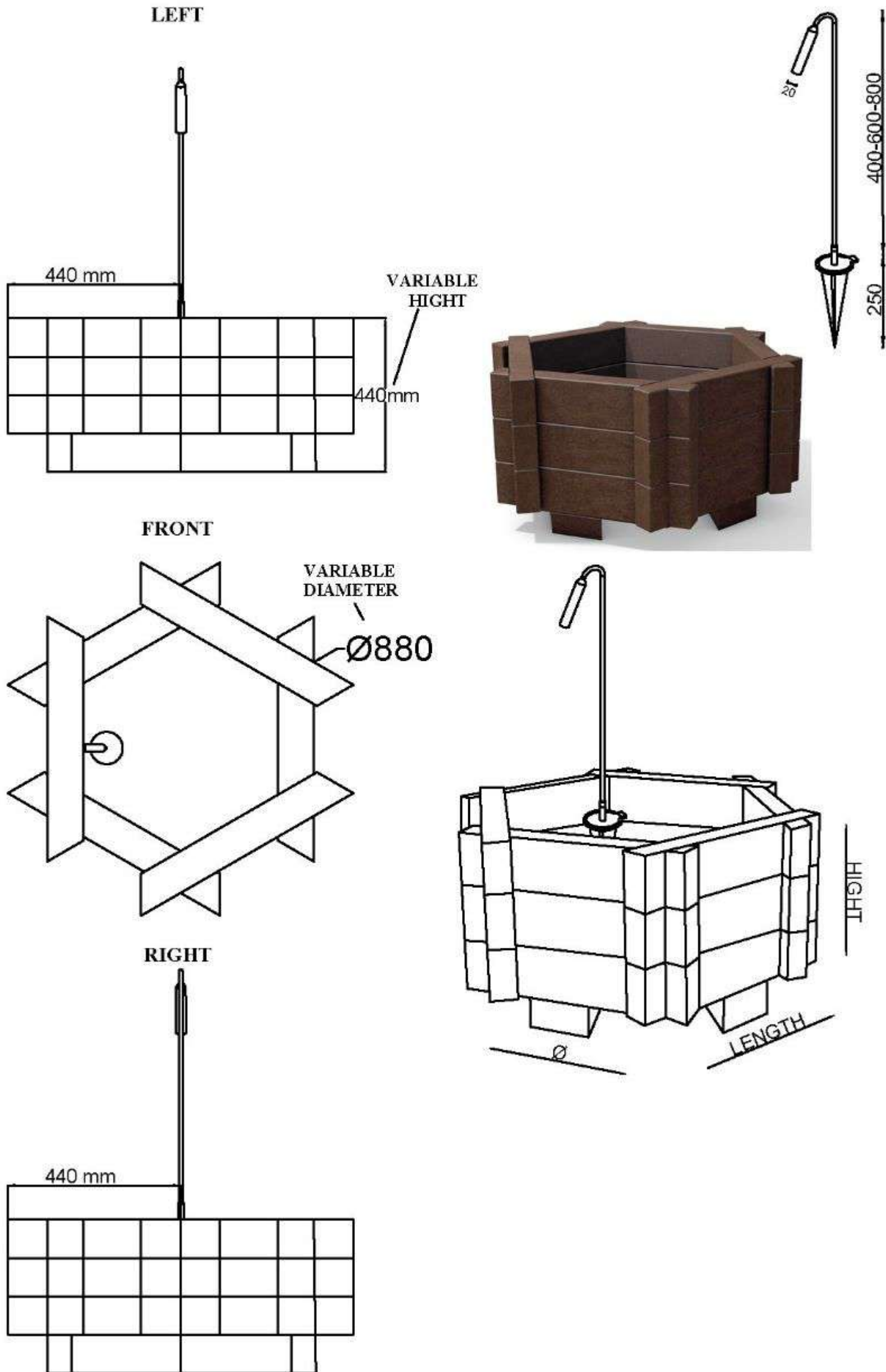


RIGHT



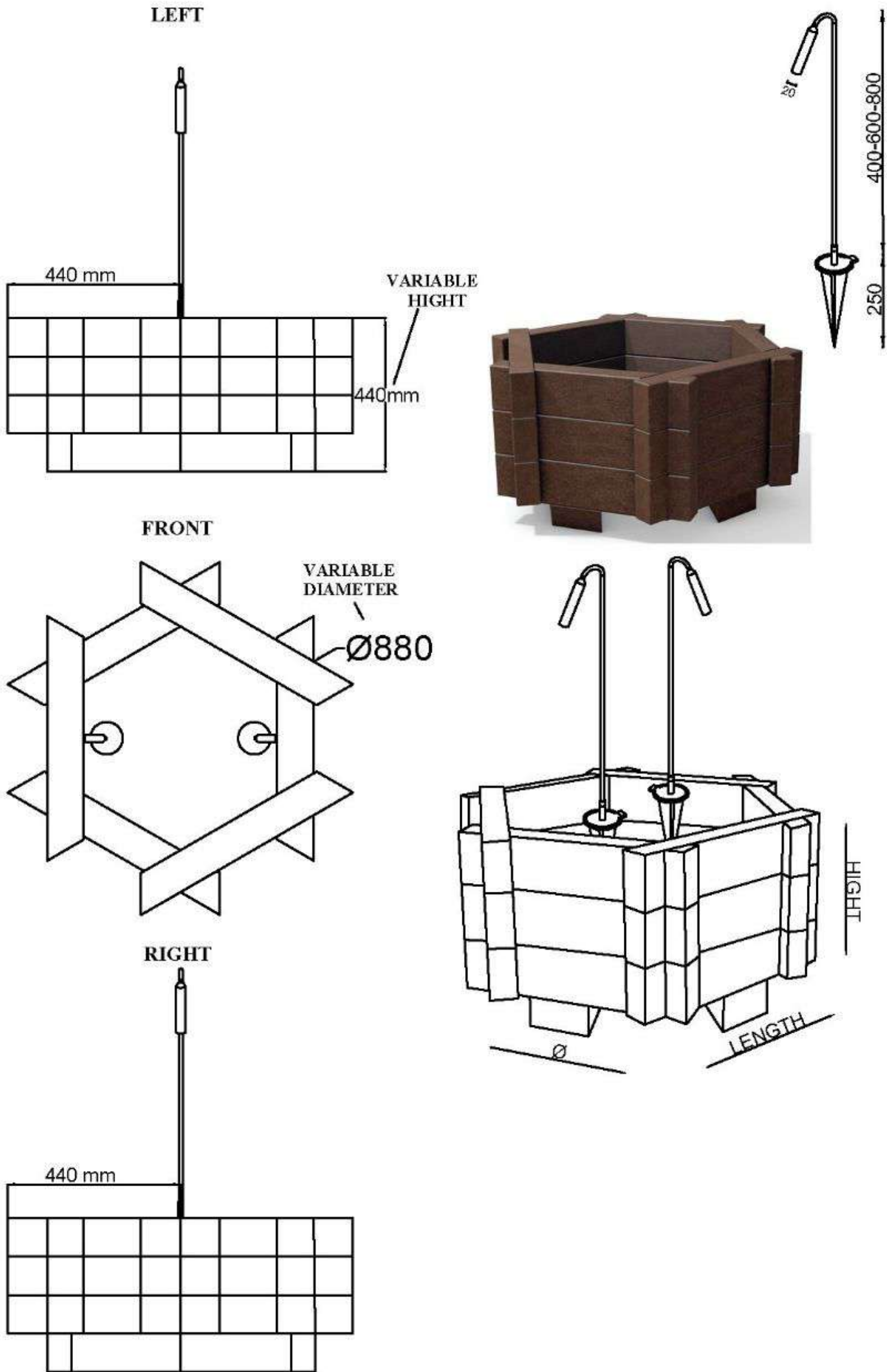


EXAMPLES OF POSITIONING OF LIGHTS:



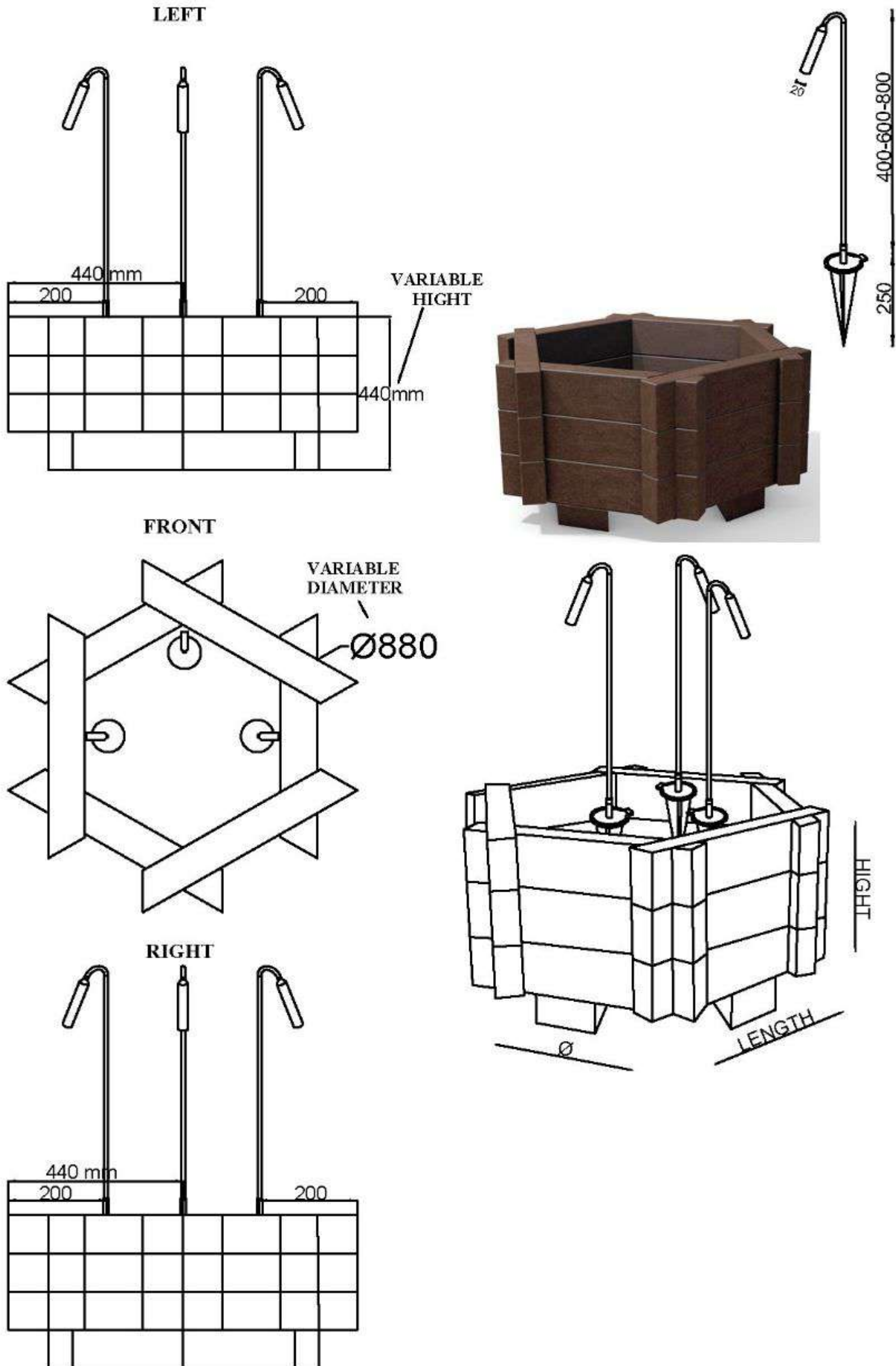


EXAMPLES OF POSITIONING OF LIGHTS:



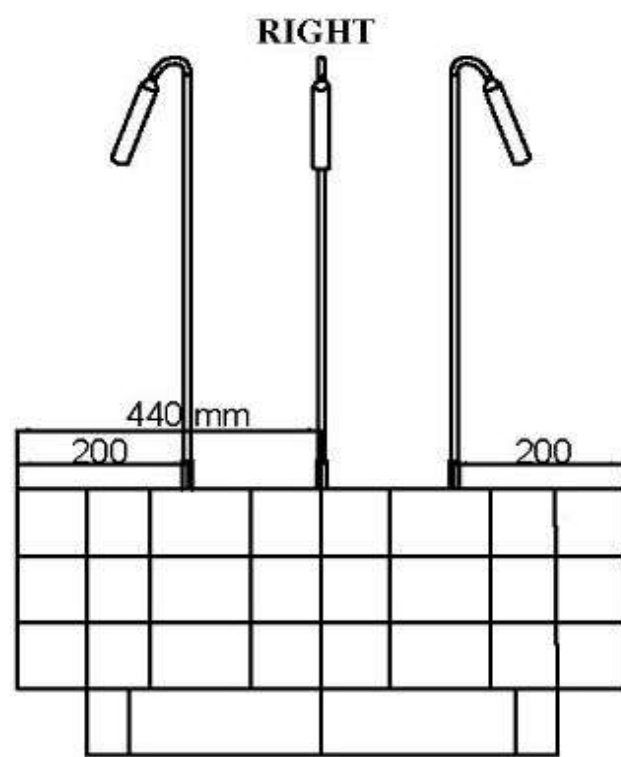
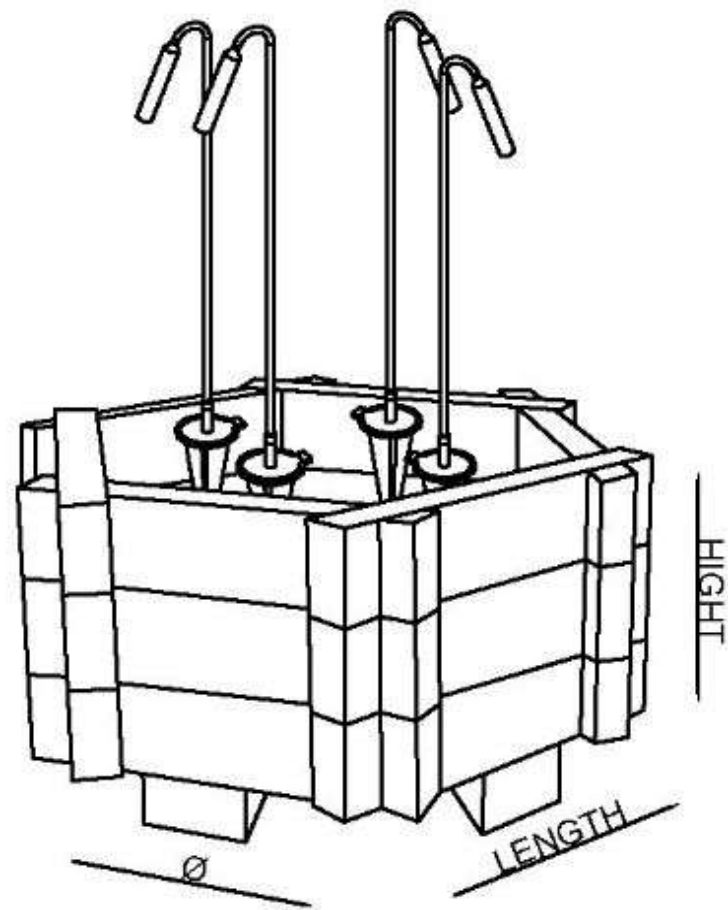
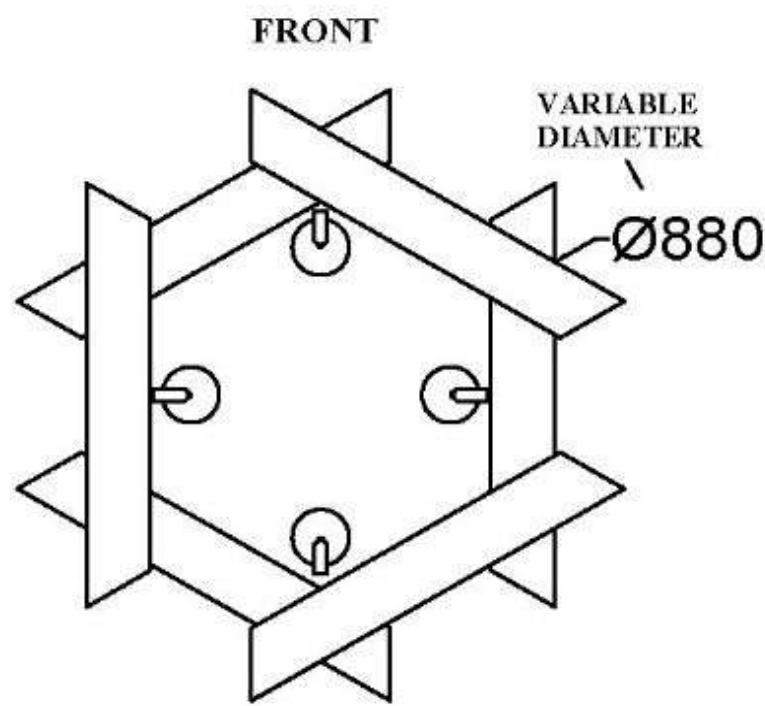
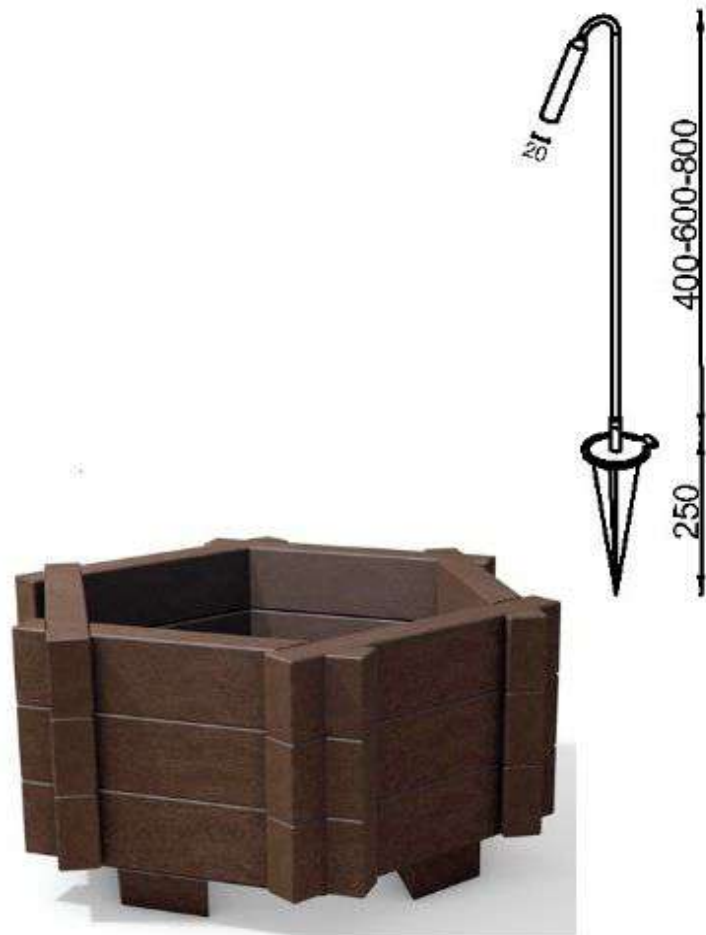
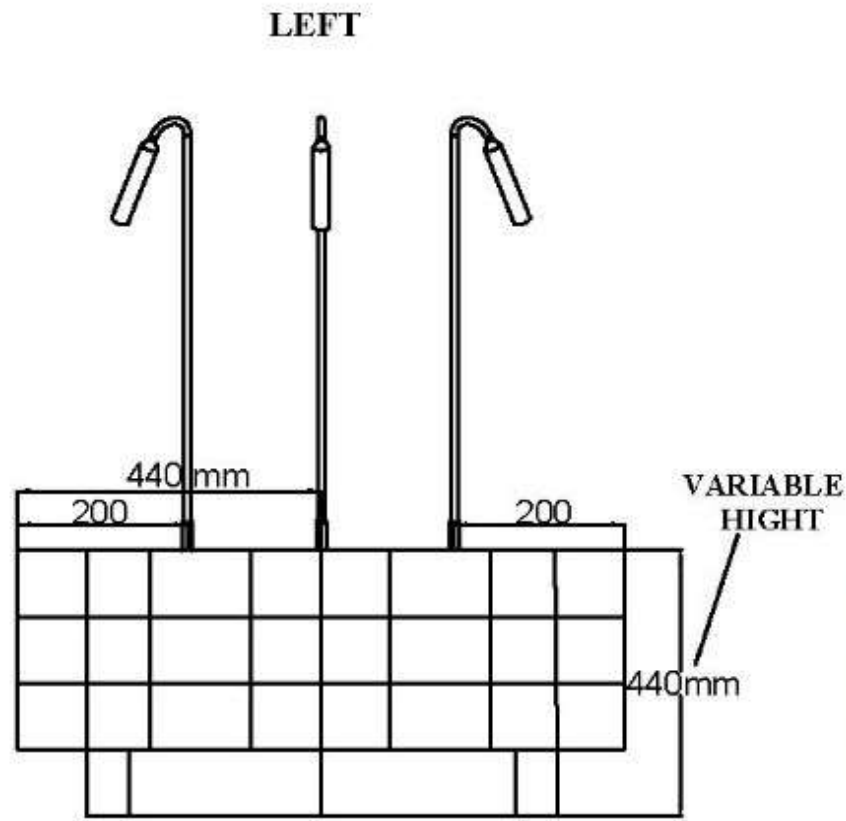


EXAMPLES OF POSITIONING OF LIGHTS:





EXAMPLES OF POSITIONING OF LIGHTS:



CERCHIO LIGHT:

CODE:

6389

TPOLOGY:

walkover recessed spot

MATERIALS:

stainless steel AISI 316L

LIGHTS:

LED

BULBS:

/W - LED max 2W 500 mA 209lm 4000K

/WW - LED max 2W 500 mA 199lm 3000K

IP GRADE:

IP 67

NET WEIGHT:

0,20 Kg

FINISHING:

.33 MATT STEEL



33. W

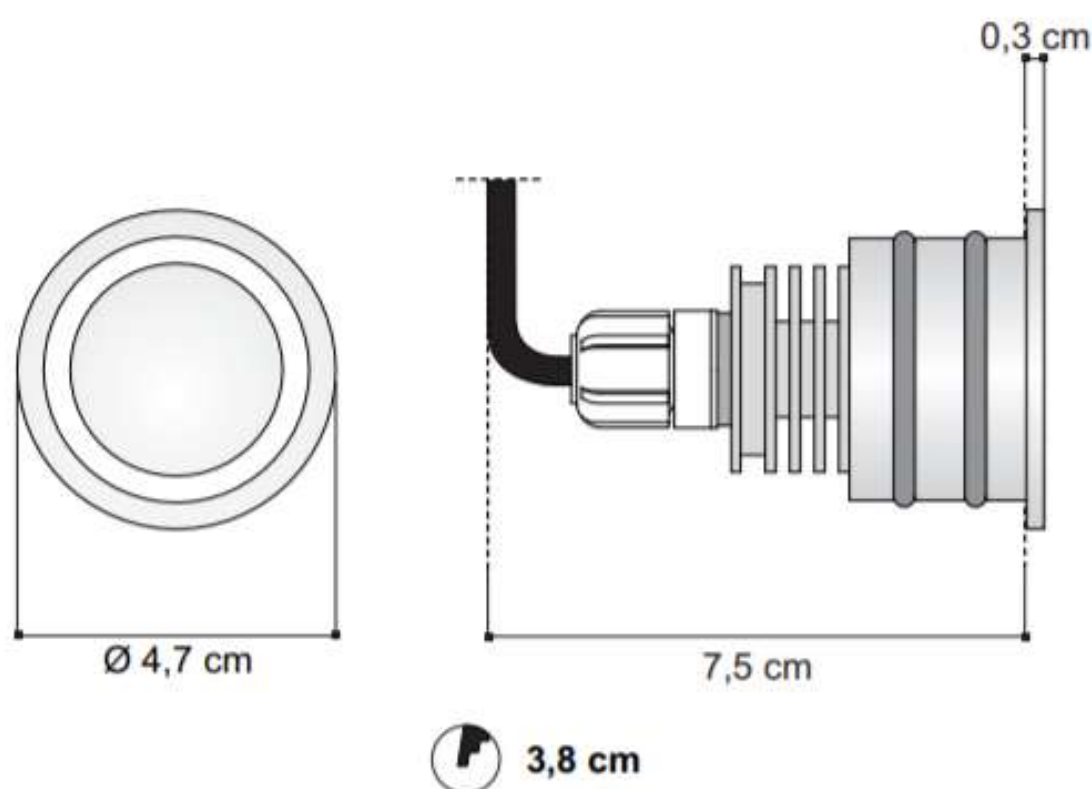


33. B

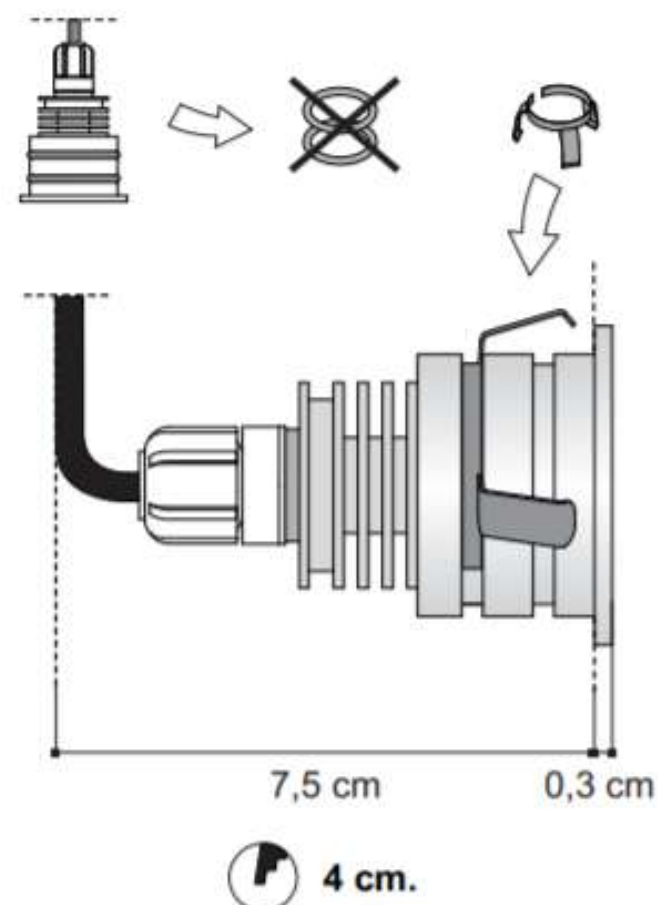


DIMENSIONS:

Installation in junction box



Installation on plasterboard



KROSS LIGHT:



CODE:

6361

TYPOLOGY:

recessed lamp trampleable

MATERIALS:

stainless steel AISI 316L

LIGHT:

marks of light

BULBS:

/W - LED max 2W 500 mA 209lm 4000K

/WW - LED max 2W 500 mA 199lm 3000K

IP GRADE:

IP 67

NET WEIGHT:

0,10 Kg


FINISHING:

.33 matt steel

.33/B matt steel - blue led

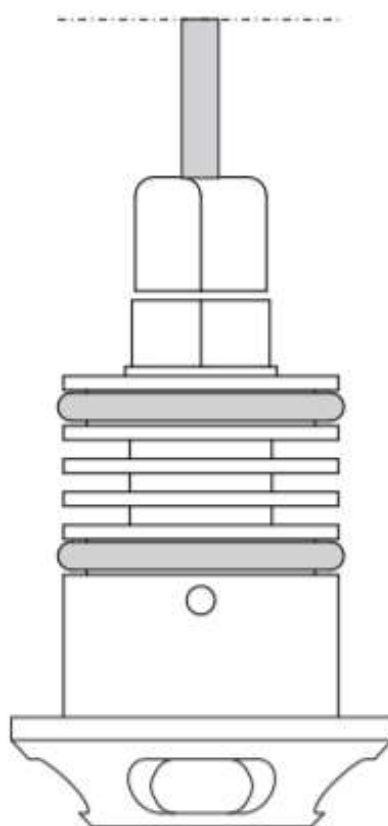


DIMENSIONS:

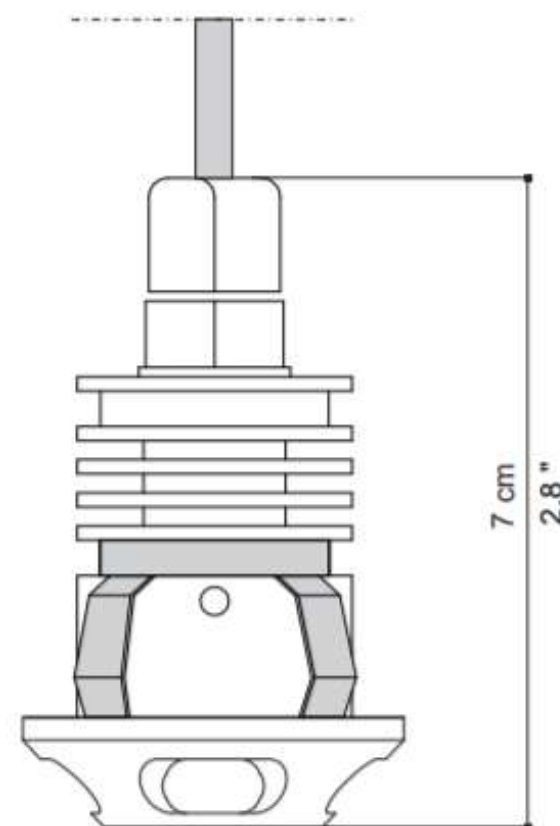
dimensions
 3 cm.
 Ø1.2"




ONLY SERIAL CONNECTION



Installation in draining junction box
(IP 67) - art. 0220



Installation on plasterboard

 3,2 cm.
 Ø1.3"

ZEPPELIN ORIENTABLE LIGHT:



CODE:

6411

TPOLOGY:

adjustable walkover spotlight

MATERIALS:

stainless steel AISI 316L

LIGHT:

LED

BULBS:

/W - 11/25/45(OPTIC degree) LED max 2W 500mA 199lm 3000K

/WW - 11/25/45(OPTIC degree) LED max 2W 500mA 209lm 4000K

IP GRADE:

IP 67

NET WEIGHT:

0,22 Kg

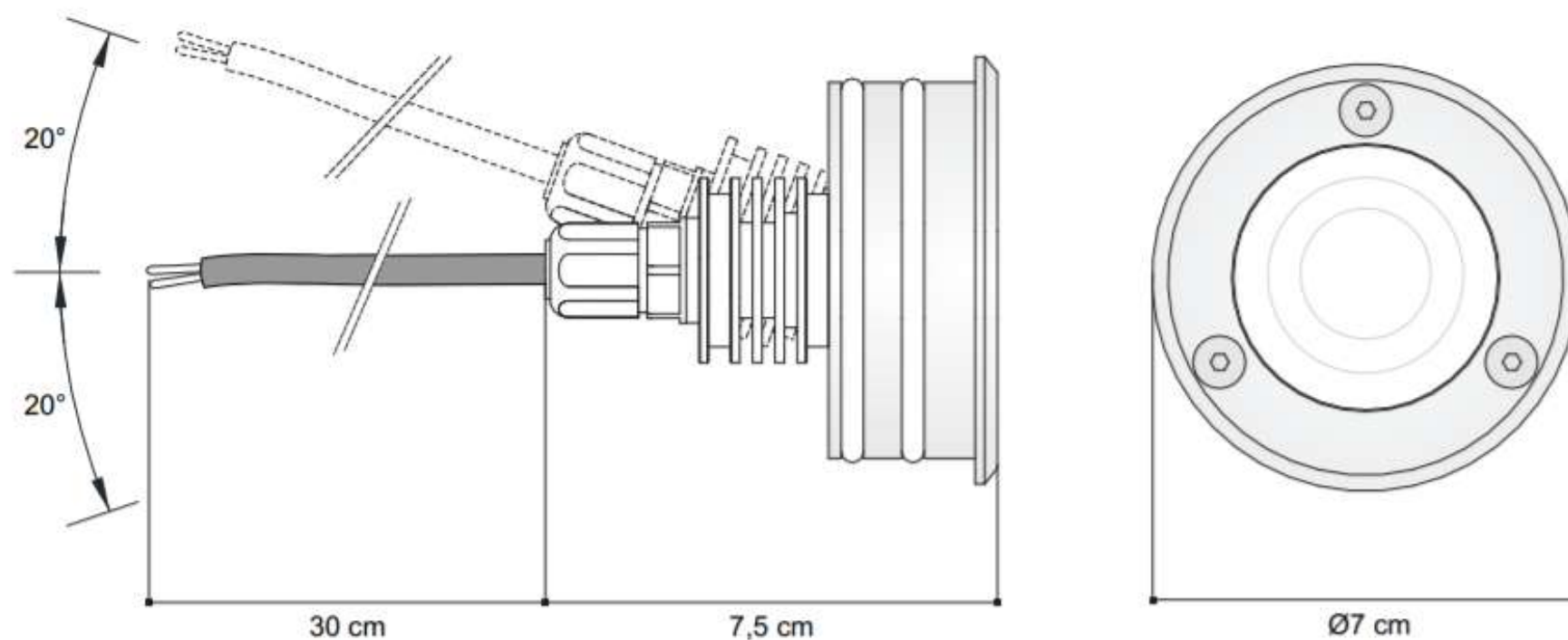
FINISHING:

.33 matt steel

DIMENSIONS:



dimensions



ONLY SERIAL CONNECTION

ZEPPELIN 25 PLUS QUADRO LIGHT:



CODE:

6394

TPOLOGY:

recessed lamp trampleable

MATERIALS:

stainless steel AISI 316L

LIGHT:

direct

BULBS:

/W - 11/25/45 (OPTIC degree) LED max 2W 500 mA 199lm 3000K

/WW - 11/25/45 (OPTIC degree) LED max 2W 500 mA 209lm 4000K

IP GRADE:

IP 67

NET WEIGHT:

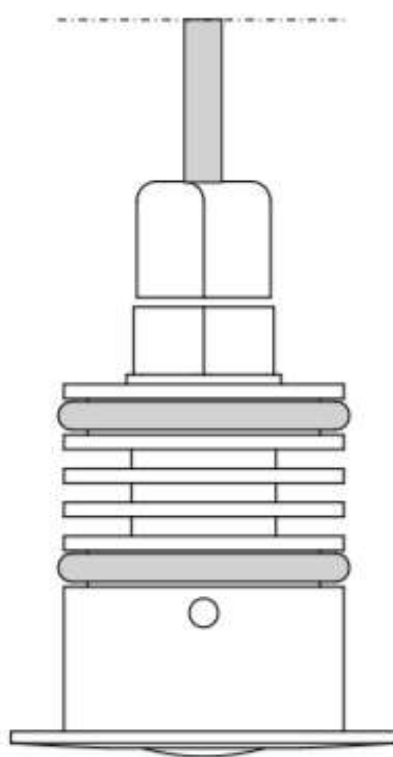
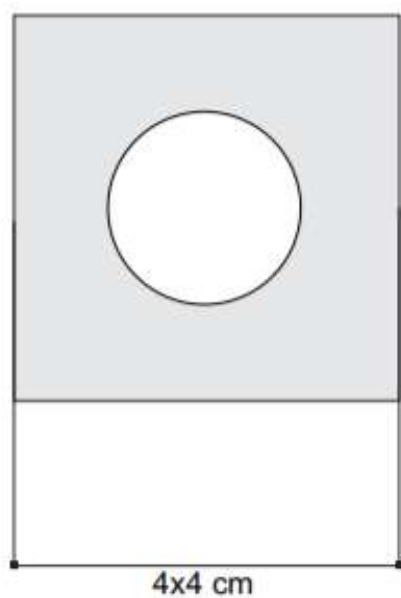
0,10 Kg

FINISHING:

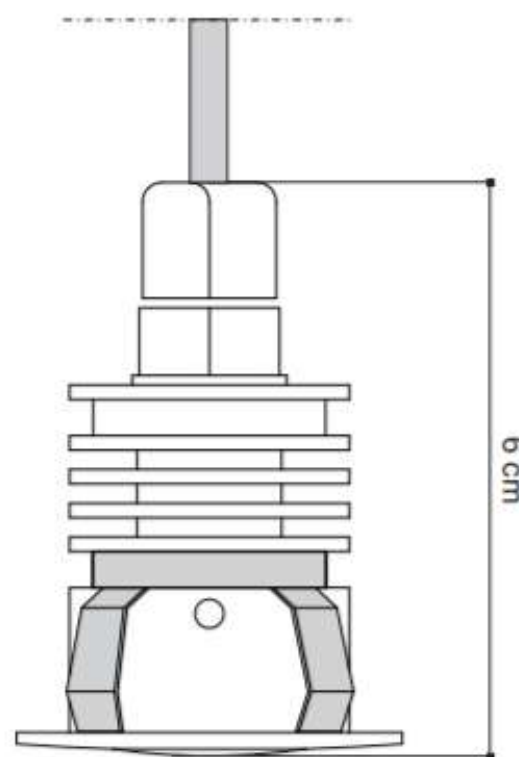
.33 matt steel

DIMENSIONS:

dimensions



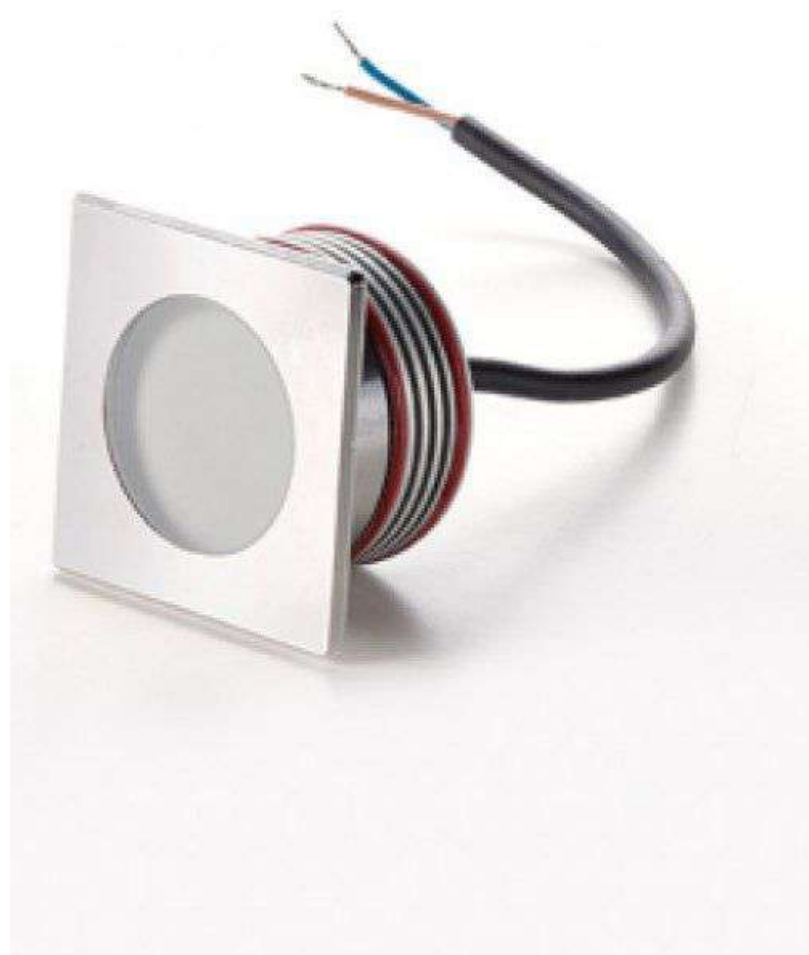
Installation in draining junction box
(IP 67) - art. 0220



Installation on plasterboard



ZEPPELIN MAXI QUADRO:



CODE:

6383

TPOLOGY:

recessed lamp walkover

MATERIALS:

stainless steel AISI 316L

LIGHT:

diffuse

BULBS:

/W - LED max 3x1 W 350mA 453lm 4000K

/WW - LED max 3x1 W 350mA 429lm 3000K

IP GRADE:

IP 67

NET WEIGHT:

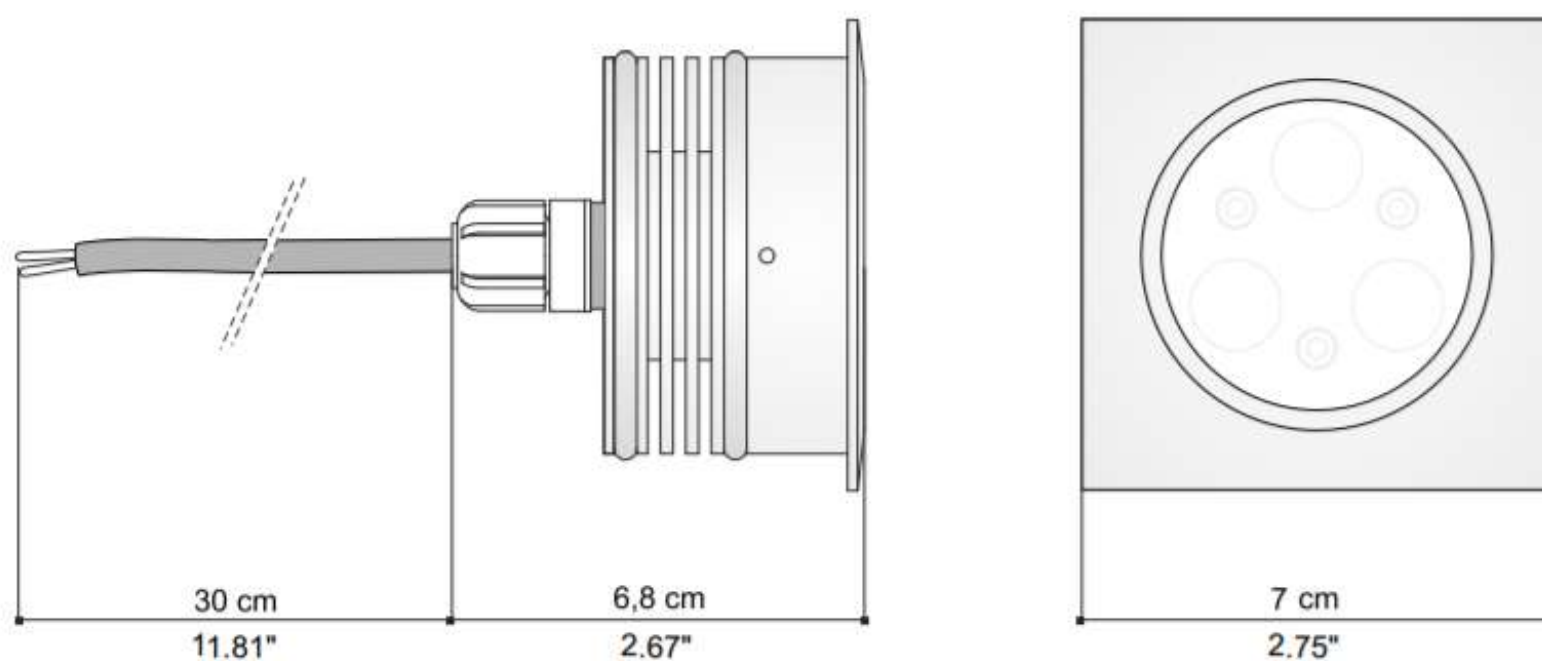
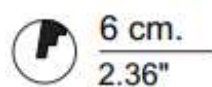
0,40 Kg

FINISHING:

.33 matt steel

DIMENSIONS:

dimensions



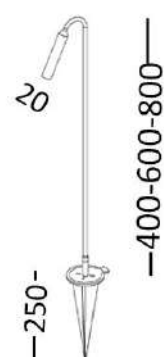
ONLY SERIAL CONNECTION

DRAGONFLY



IP 65

IK 07



MODEL:

Code	NOP1H
Product family	Outdoor Lighting

TECHNICAL DETAILS:

Installation	into the ground with the supplied spike
Class	III
Power	2 W
Luminous flux	200 lm
LED color	2700K, 3000K
Resistance to breakage	IK 07
Protection degree	IP 65
Material	stainless steel AISI 316L
Weight	1, 1,5, 1,7 kg
Optics	30°
Driver	not included
Cables	wired with 3 m H05RNF
Diffuser	transparent
Optional accessories	drivers 500 mA
Supply	500mA

It respects the laws against lighting pollution
Spike fixing to be put into the ground

COLORS:



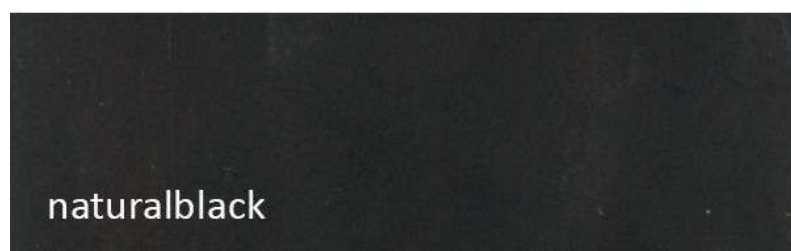
.IN

Inox



.BT

Browntech



.NB

Natural Black