



bollard



wall-mounted



cartridge

### BODY:

Electrified extruded aluminium cartridge with 130mm diameter and methacrylate outer protective screen. Extruded aluminium poles of various heights.

### LIGHT SOURCES:

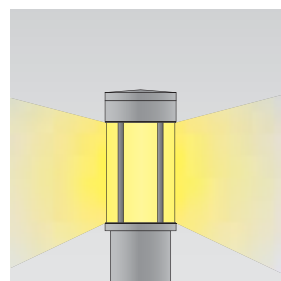
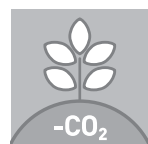
WW (Warm White, 3000K) 16W COB LED. Metal halide lamps (35W), compact fluorescent lamps (18W, 22W, 26W and 46W), A55 halogen lamp.

### POWER SUPPLY:

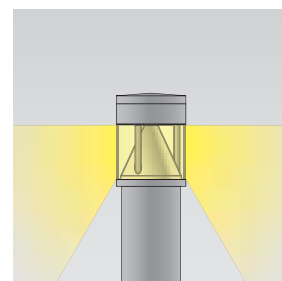
Electromagnetic control gear for the metal halide version, electromagnetic or electronic control gear for models mounting fluorescent lamps and integrated electronic control gear for the LED version.

### ACCESSORIES:

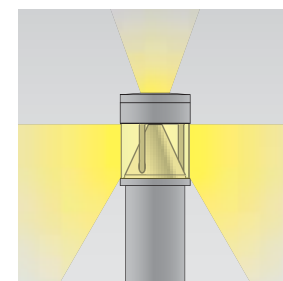
Micro-perforated screen or glass diffuser, mounting bracket, poles with 600mm, 1000mm and 2000mm height. → see accessories



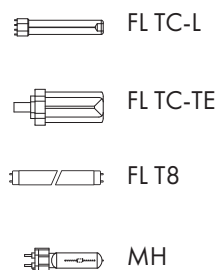
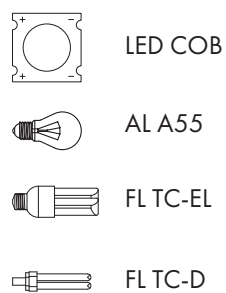
Emission with lamp LED and FL - direct



Emission with lamp MH - direct



Emission with lamp MH - direct/indirect



120° 240° Roto-symmetrical

The 120°/140° emissions are obtained by use of screen accessories (Cartridge 240 / 435)



### Totem bollard\*

Light source	Wattage	mm (L)	kg	Code
LED	16W	600	7,40	76427. __ WW
		1000	9,00	76428. __ WW



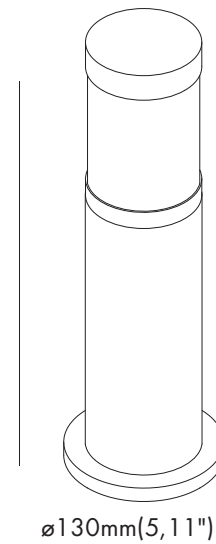
110-277 V / 50-60Hz

Integrated electronic control gear

WW (Warm White): CRI >80 / lm 1990 / K 3000

\* Luminaire inclusive of head and pole  
Methacrylate outer protection

600mm(23,62")/  
1000mm(39,37")



ø130mm(5,11")

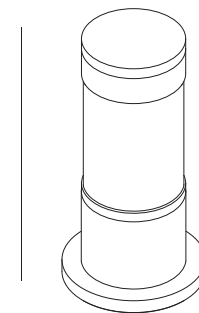
### Totem bollard\*

Light source	Wattage	Fitting	kg	Code
AL A55	46W	E26	4,50	76598. __
FL TC-EL	22W			76598. __

Constant mains voltage operation

\* Luminaire inclusive of head and pole  
Methacrylate outer protection

360mm(14,17")



ø130mm(5,11")

### Totem wall-mounted

Light source	Wattage	Fitting	kg	Code
FL TC-D	26W	G24d-3	6,50	76596. __

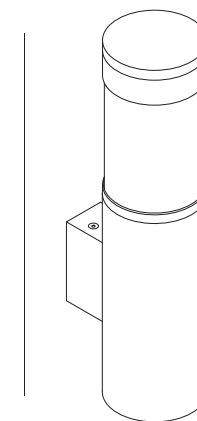
110-277V / 50Hz

Integrated electromagnetic control gear

FL TC-TE	42W	GX24q-4	5,90	76597. __
----------	-----	---------	------	-----------

110-277V / 50-60Hz Integrated  
electronic control gear

540mm(21,25")



ø130mm(5,11")

### Colour identification to be added to the code



68  
Grey



79  
Corten  
finish

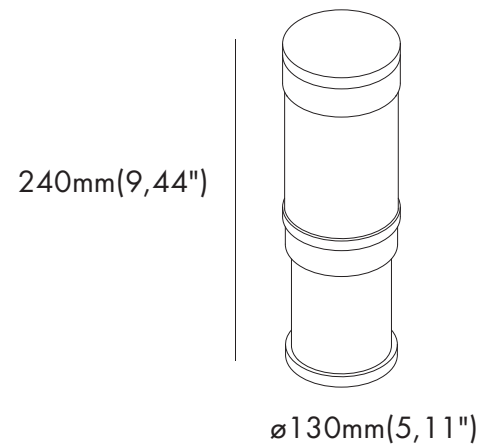


86  
Anthracite  
grey



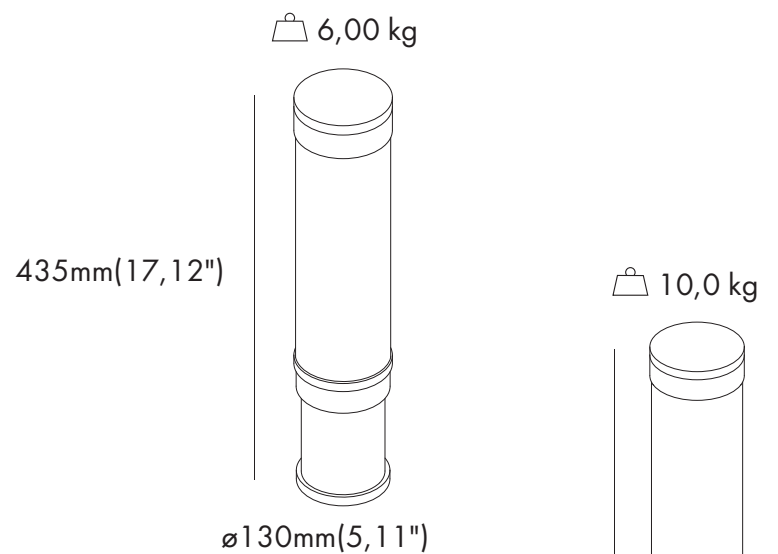
### Totem cartridge 240

Light source	Wattage	Fitting	kg	Code
ALA55	46W	E26	5,0	76591._._
FLTC-EL	22W			76591._._
Constant mains voltage operation				
FLTC-L	18W	2G11	4,70	76593._._
FLTC-D	26W	G24d-3	5,10	76592._._
110-277V / 50Hz Integrated electromagnetic control gear				
FLTC-TE	42W	GX24q-4	4,20	76594._._
110-277V / 50-60Hz Integrated electronic control gear				



### Totem cartridge 435

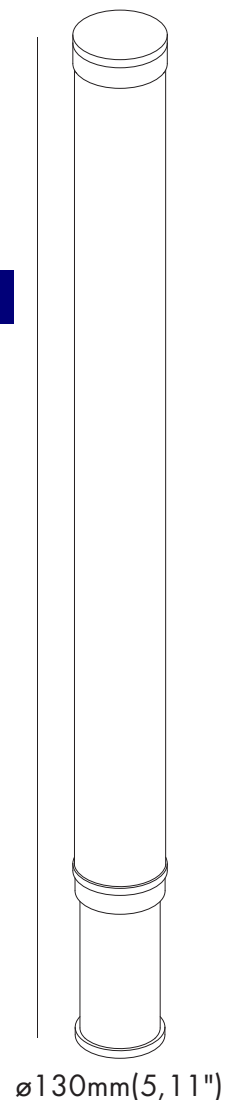
Light source	Wattage	Fitting	Code
FLTC-L	36W	2G11	76595._._
110-277V / 50Hz Integrated electromagnetic control gear			



### Totem cartridge 1550

Light source	Wattage	Fitting	Code
FLT8	58W	G13	76373._._
110-277V / 50Hz Integrated electromagnetic control gear			

1550mm(61,02")



### Colour identification to be added to the code



68  
Grey



79  
Corten  
finish



86  
Anthracite  
grey



### Totem cartridge MH 175

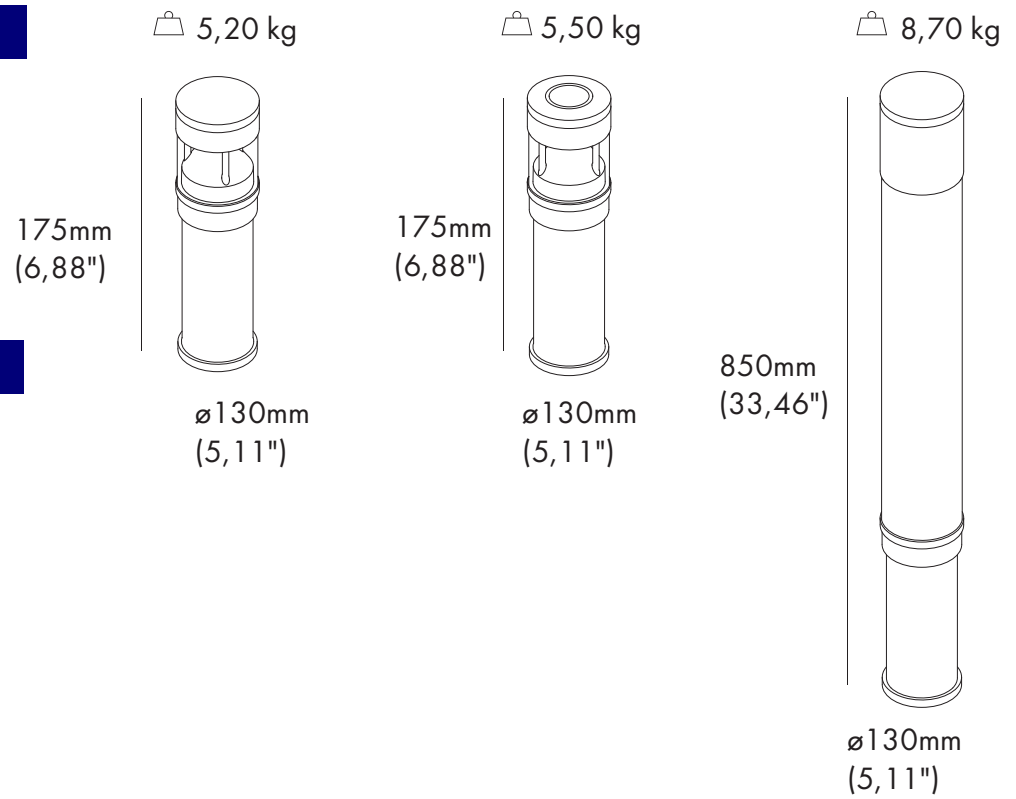
Light source	Wattage	Fitting	Code	Code
MH	35W	G12	76368._ _	76370._ _

110-277V / 50Hz  
Integrated electromagnetic control gear

### Totem cartridge MH 850

Light source	Wattage	Fitting	Code
MH	35W	G12	76369._ _

110-277V / 50Hz  
Integrated electromagnetic control gear  
Modular luminaire Methacrylate outer protection.

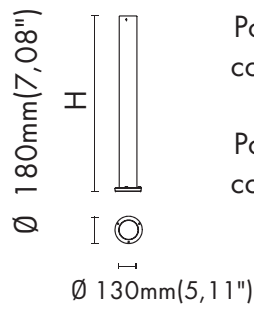


### Colour identification to be added to the code

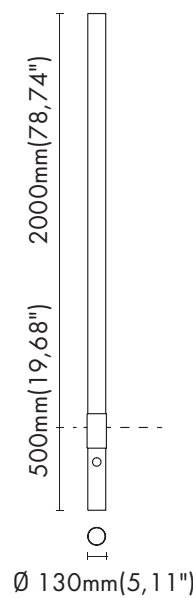
	68 Grey		79 Corten finish		86 Anthracite grey
--	------------	--	---------------------	--	-----------------------

### Ordering guidelines Totem cartridge

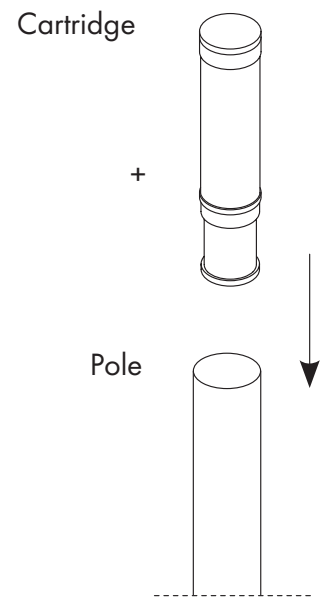
- Cartridge 240 / 435 / 1550
- Cartridge MH 175 / 850



Pole H600  
code 76375.\_ \_  
Pole H1000  
code 76376.\_ \_



Pole H2000  
(above-ground)  
code 76377.\_ \_



### ACCESSORIES

→ Bollard		Mounting plate with anchor bolts code 76380.00
→ Cartridge 240 for products with source AL / FL		Micro-perforated screen with white polycarbonate (3-piece kit) code 76381.00
		Glass diffuser code 76384.00
→ Cartridge 435 for products with source AL / FL		Micro-perforated screen with white polycarbonate (3-piece kit) code 76382.00
		Glass diffuser code 76385.00
→ Cartridge 1550 for products with source AL / FL		Micro-perforated screen code 76383.00

