

PRODUCT CODE:

Art. 11

DIMENSIONS:

Height (KK): 36"/40"/42"

Diameter(FF): 6"/8"/10"/12"(choose depending on a security rating needed*)

BOLLARD COVER MATERIAL(BB):

- 01 Stainless steel
- 02 Carbon Steel
- 03 Aluminum

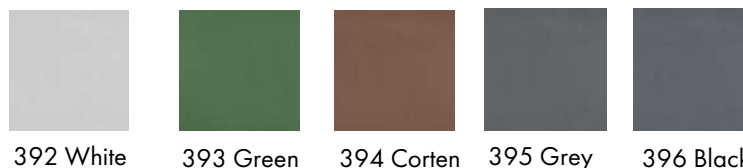
LENS MATERIAL(MM):

- 20 Standard Clear Lens
- 21 Frosted acrylic lens

FINISHES(QQ):

- 11 316 Stainless steel with a #4 swirl brushed stainless surface finish
- 12 Custom RAL

Stainless powder coated standard colors:



392 White 393 Green 394 Corten 395 Grey 396 Black

SECURITY RATING(RR):

Please Read our Crash Rating guidance

BDS-C40FB36-ST	ASTM C40 CRASH RATED FIXED BOLLARD
BDS-C40RB36-ST	ASTM C40 CRASH RATED REMOVABLE BOLLARD
BDS-M30-FB-ST	ASTM M30 CRASH RATED FIXED BOLLARD
BDS-M30-RB-ST	ASTM M30 CRASH RATED REMOVABLE BOLLARD
BDS-M30FB-SH	ASTM M30 CRASHED RATED SHALLOW BOLLARD
BDS-M30RB-SH	ASTM M30 CRASHED RATED SHALLOW BOLLARD
BDS-PU40FB36-ST	ASTM PU40 CRASH RATED FIXED BOLLARD
BDS-PU40RB36-ST	ASTM PU40 CRASH RATED REMOVABLE BOLLARD



COLOUR TEMPERATURE(JJ):

31	3000K
32	4000K

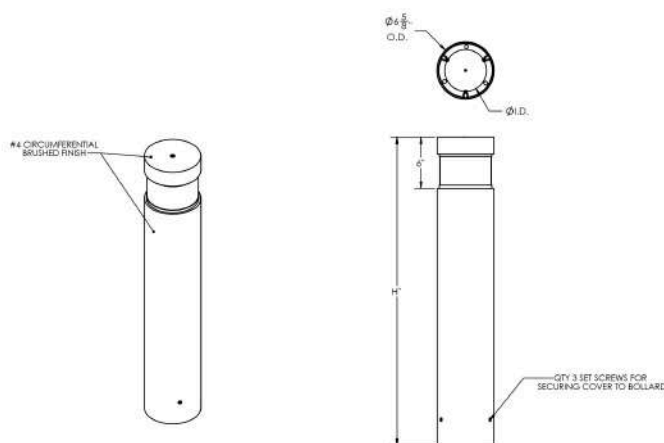
GENERAL CHARACTERISTICS:

Voltage:	110-277V
Source Type:	LED
Operating Temperature:	-22°F~122°F
IP Rating:	IP 65

PHOTOMETRIC CHARACTERISTICS:

CRI	90
Beam Angle	360°
FLUX:	Varied lumen packages available
DALI on request*	
Dimmable	0-10V

DIAMETER 6"



DIAMETER 8"

