



PRODUCT CODE:

Art. 13

DIMENSIONS:

Height (KK): 36"/40"/42"

Diameter(FF): 6"/8"/10"/12"(choose depending on a security rating needed*)

BOLLARD COVER MATERIAL(BB):

- 01 Stainless steel
- 02 Carbon Steel
- 03 Aluminum

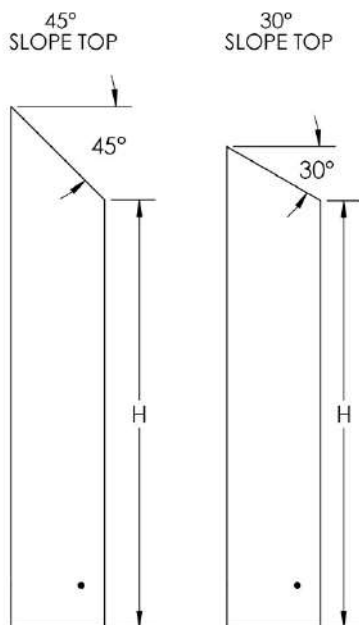
TOP CAP ANGLE (MM):

- 20 30°
- 21 45°

FINISHES(QQ):

- 11 316 Stainless steel with a #4 swirl brushed stainless surface finish
- 12 Custom RAL

Stainless powder coated standard colors:

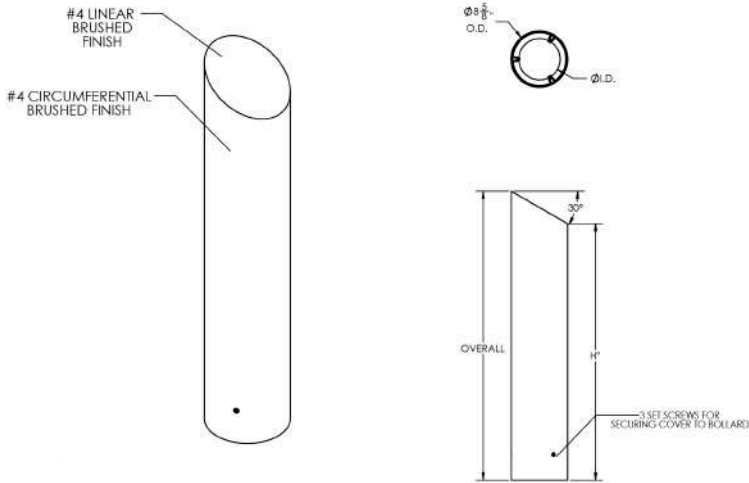



SECURITY RATING(RR):

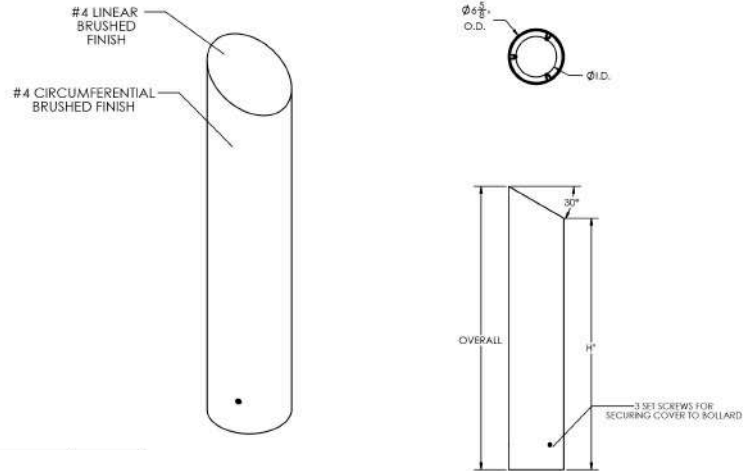
Please Read our Crash Rating guidance


BDS-C40FB36-ST	ASTM C40 CRASH RATED FIXED BOLLARD
BDS-C40RB36-ST	ASTM C40 CRASH RATED REMOVABLE BOLLARD
BDS-M30-FB-ST	ASTM M30 CRASH RATED FIXED BOLLARD
BDS-M30-RB-ST	ASTM M30 CRASH RATED REMOVABLE BOLLARD
BDS-M30FB-SH	ASTM M30 CRASHED RATED SHALLOW BOLLARD
BDS-M30RB-SH	ASTM M30 CRASHED RATED SHALLOW BOLLARD
BDS-PU40FB36-ST	ASTM PU40 CRASH RATED FIXED BOLLARD
BDS-PU40RB36-ST	ASTM PU40 CRASH RATED REMOVABLE BOLLARD

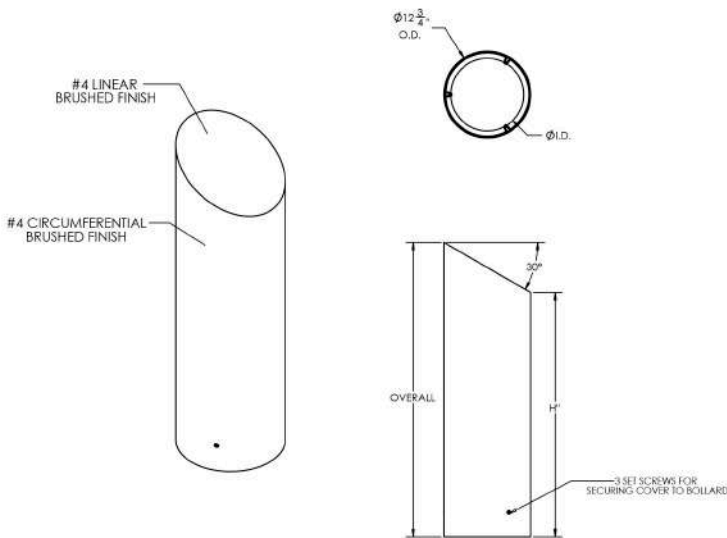
30 Degree Top Technical Drawings:




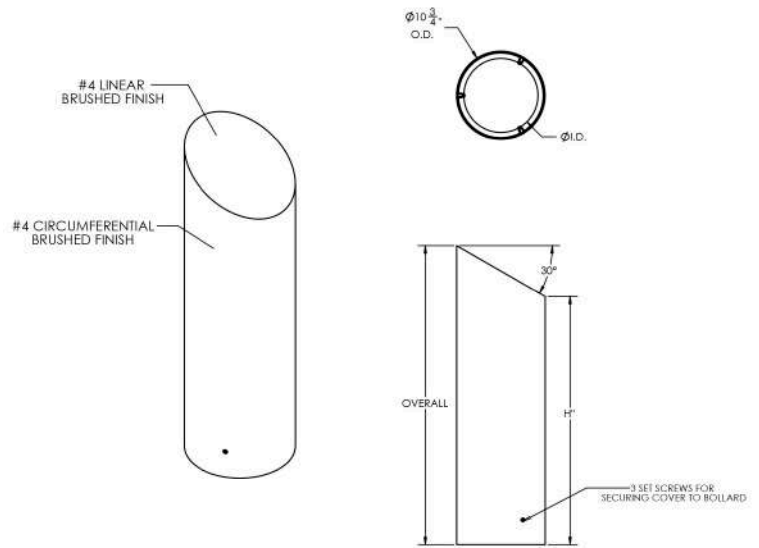
Dwg Title:	Created by:	Size:	Version:
30 Degree 8in.	Bullard Bollards	A4	1
 BULLARD BOLLARDS		Current date:	29.04.2020
		Added:	29.04.2020
Scale:	Sheet:	1:1	1/1




Dwg Title:	Created by:	Size:	Version:
30 Degree 6in.	Bullard Bollards	A4	1
 BULLARD BOLLARDS		Current date:	29.04.2020
		Added:	29.04.2020
Scale:	Sheet:	1:1	1/1



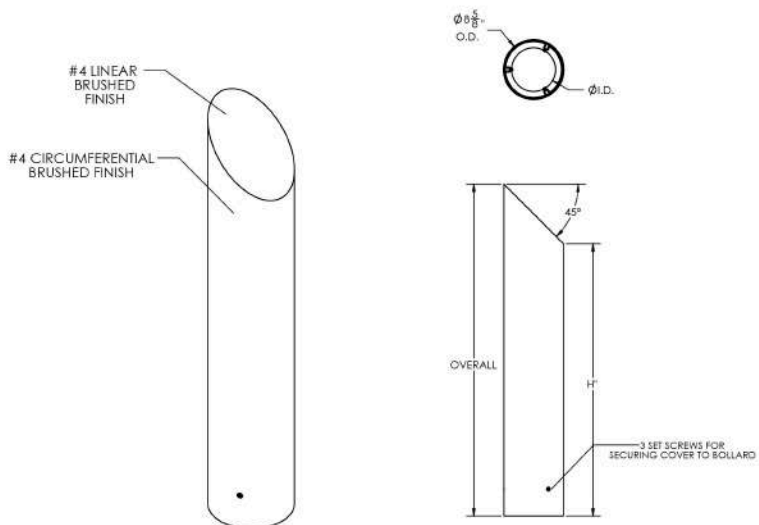
Dwg Title:	Created by:	Size:	Version:
30 Degree 12in.	Bullard Bollards	A4	1
 BULLARD BOLLARDS		Current date:	29.04.2020
		Added:	29.04.2020
Scale:	Sheet:	1:1	1/1



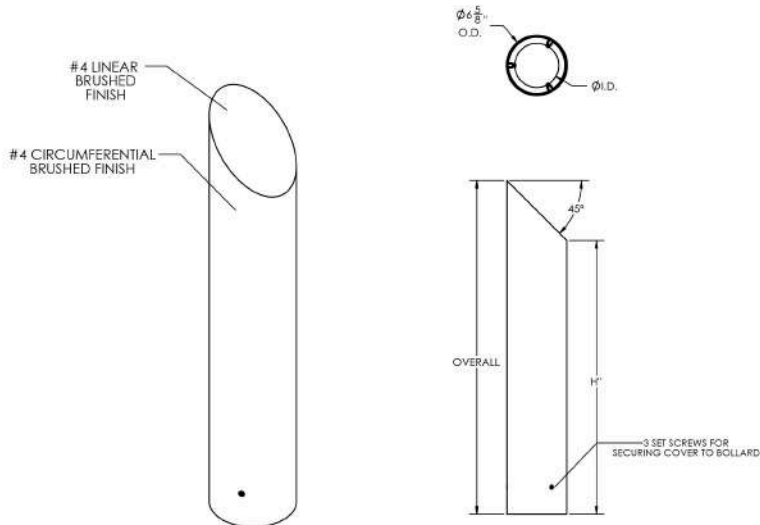
Dwg Title:	Created by:	Size:	Version:
30 Degree 10in.	Bullard Bollards	A4	1
 BULLARD BOLLARDS		Current date:	29.04.2020
		Added:	29.04.2020
Scale:	Sheet:	1:1	1/1



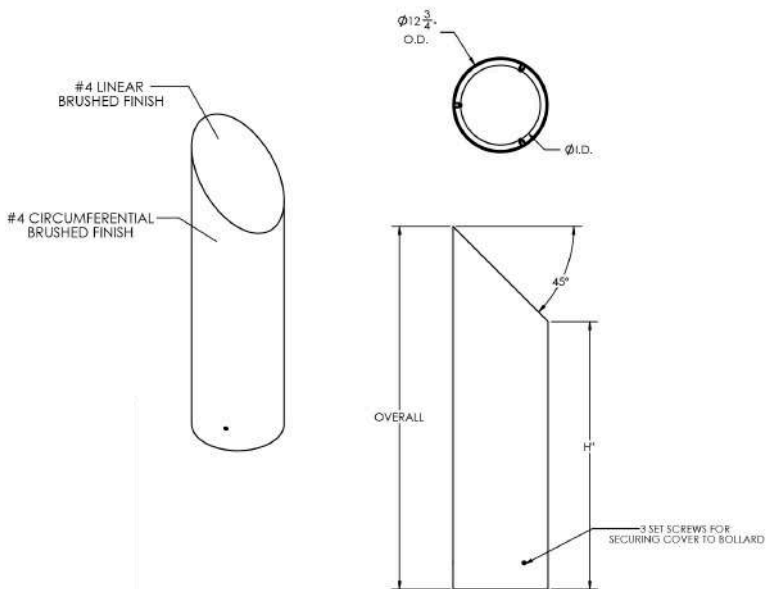
45 Degree Top Technical Drawings:



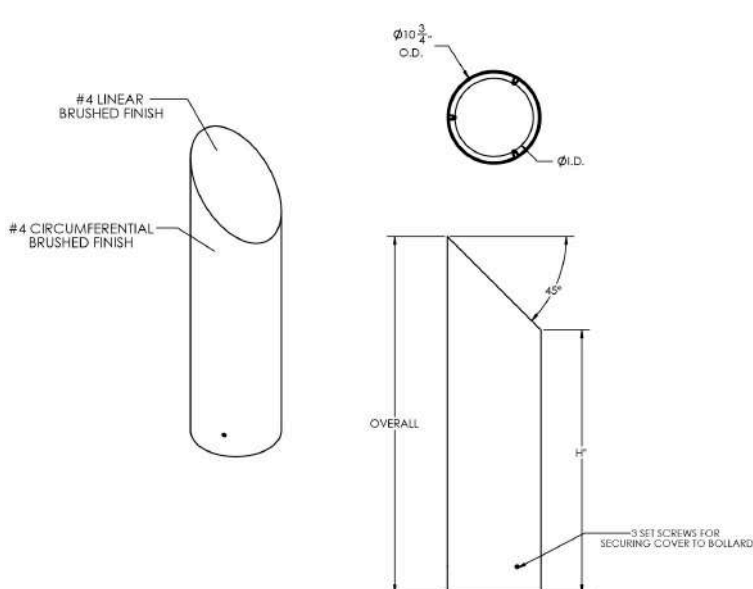
Dwg Title:	Created by:	Size:	Version:
45 Degree 8in.	Bullard Bollards	A4	1
Current date:			
29.04.2020			
Added:			
29.04.2020			
Scale:		Sheet:	
1:1		1/1	



Dwg Title:	Created by:	Size:	Version:
45 Degree 6in.	Bullard Bollards	A4	1
Current date:			
29.04.2020			
Added:			
29.04.2020			
Scale:		Sheet:	
1:1		1/1	



Dwg Title:	Created by:	Size:	Version:
45 Degree 12in.	Bullard Bollards	A4	1
Current date:			
29.04.2020			
Added:			
29.04.2020			
Scale:		Sheet:	
1:1		1/1	



Dwg Title:	Created by:	Size:	Version:
45 Degree 10in.	Bullard Bollards	A4	1
Current date:			
29.04.2020			
Added:			
29.04.2020			
Scale:		Sheet:	
1:1		1/1	

