

PRODUCT CODE:

Art. 15

DIMENSIONS:

Height (KK): 36"/40"/42"

Diameter(FF): 6"/8"/10"/12"(choose depending on a security rating needed*)

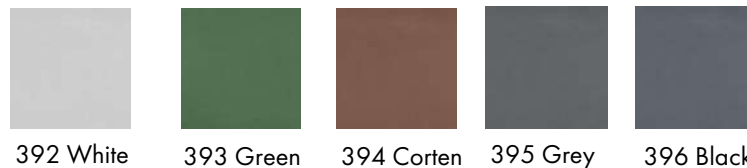
BOLLARD COVER MATERIAL(BB):

- 01 Stainless steel
- 02 Carbon Steel
- 03 Aluminum

FINISHES(QQ):

- 11 316 Stainless steel with a #4 swirl brushed stainless surface finish
- 12 Custom RAL

Stainless powder coated standard colors:



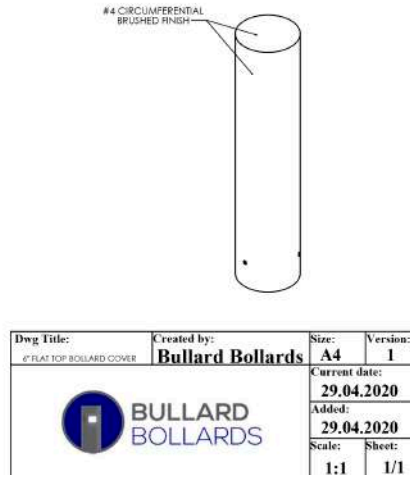
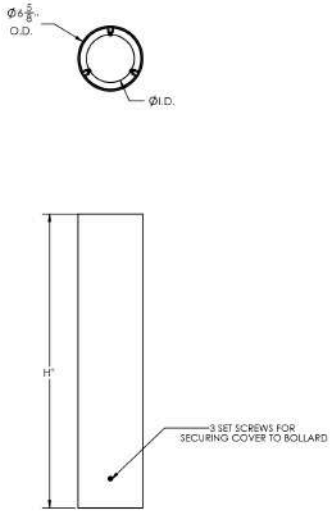
SECURITY RATING(RR):

Please Read our Crash Rating guidance

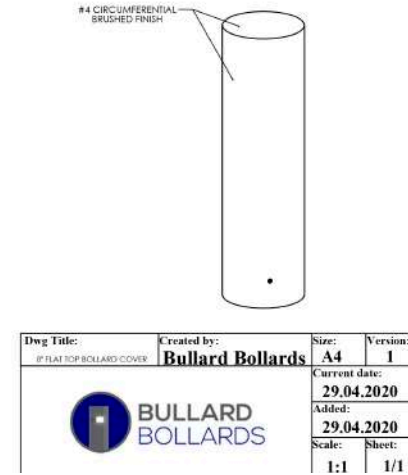
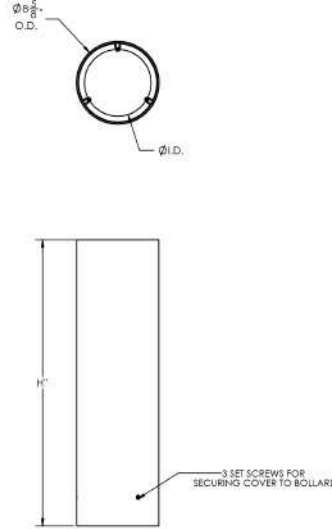
BDS-C40FB36-ST	ASTM C40 CRASH RATED FIXED BOLLARD
BDS-C40RB36-ST	ASTM C40 CRASH RATED REMOVABLE BOLLARD
BDS-M30-FB-ST	ASTM M30 CRASH RATED FIXED BOLLARD
BDS-M30-RB-ST	ASTM M30 CRASH RATED REMOVABLE BOLLARD
BDS-M30FB-SH	ASTM M30 CRASHED RATED SHALLOW BOLLARD
BDS-M30RB-SH	ASTM M30 CRASHED RATED SHALLOW BOLLARD
BDS-PU40FB36-ST	ASTM PU40 CRASH RATED FIXED BOLLARD
BDS-PU40RB36-ST	ASTM PU40 CRASH RATED REMOVABLE BOLLARD



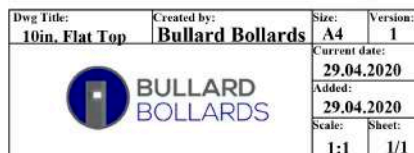
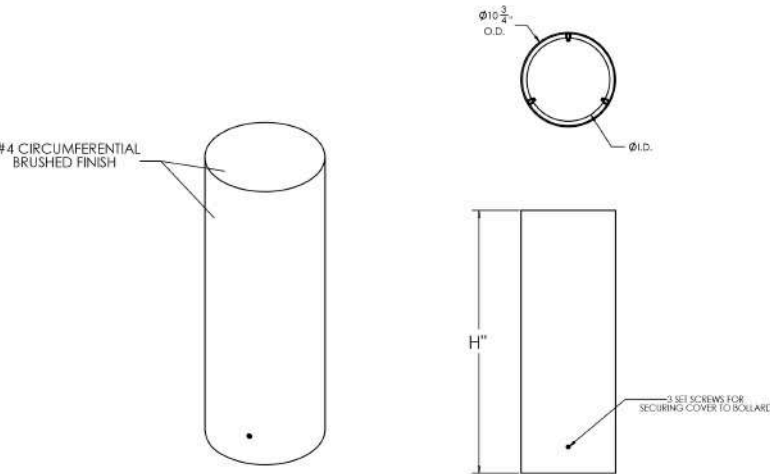
Flat Top 6" Technical Drawings:



Flat Top 8" Technical Drawings:



Flat Top 10" Technical Drawings:



Flat Top 12" Technical Drawings:

