



**PRODUCT CODE:**

Art. 16

**DIMENSIONS:**

Height (KK):36"/40"/42"

Diameter(FF): 6"/8"/10"/12"(choose depending on a security rating needed\*)

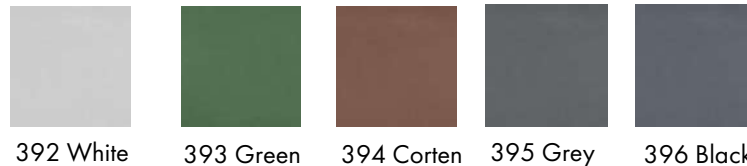
**BOLLARD COVER MATERIAL(BB):**

- 01 Stainless steel
- 02 Carbon Steel
- 03 Aluminum

**FINISHES(QQ):**

- 11 316 Stainless steel with a #4 swirl brushed stainless surface finish
- 12 Custom RAL

Stainless powder coated standard colors:



**SECURITY RATING(RR):**

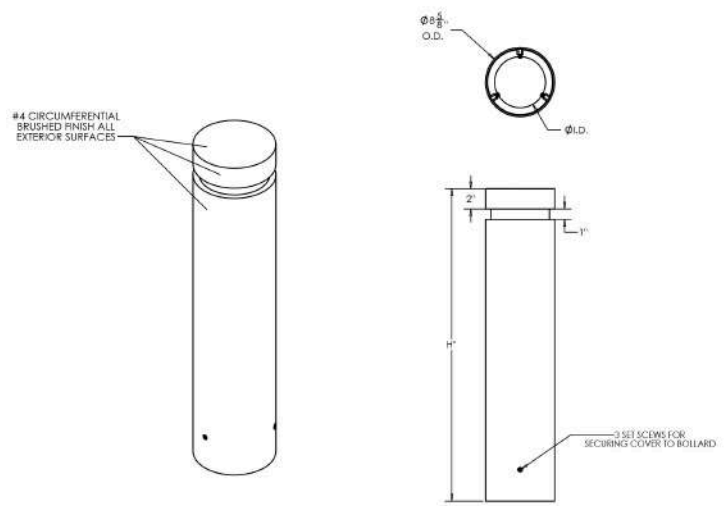
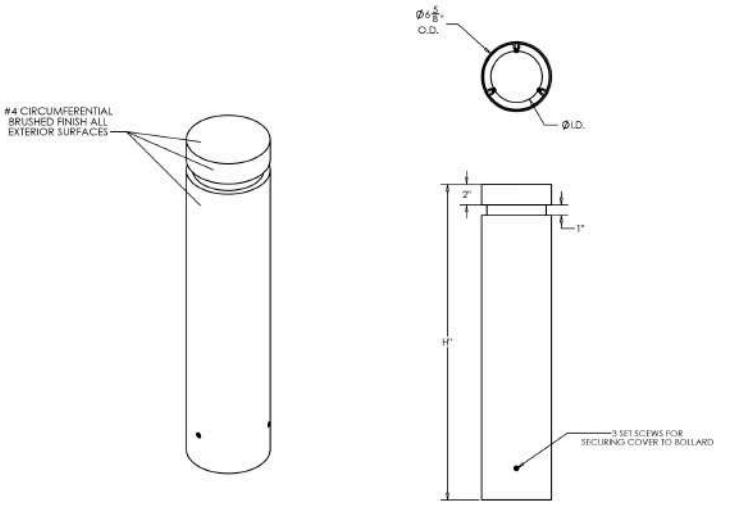
**Please Read our Crash Rating guidance**


BDS-C40FB36-ST	ASTM C40 CRASH RATED FIXED BOLLARD
BDS-C40RB36-ST	ASTM C40 CRASH RATED REMOVABLE BOLLARD
BDS-M30-FB-ST	ASTM M30 CRASH RATED FIXED BOLLARD
BDS-M30-RB-ST	ASTM M30 CRASH RATED REMOVABLE BOLLARD
BDS-M30FB-SH	ASTM M30 CRASHED RATED SHALLOW BOLLARD
BDS-M30RB-SH	ASTM M30 CRASHED RATED SHALLOW BOLLARD
BDS-PU40FB36-ST	ASTM PU40 CRASH RATED FIXED BOLLARD
BDS-PU40RB36-ST	ASTM PU40 CRASH RATED REMOVABLE BOLLARD




**Flat Top 1 Reveal 6" Technical Drawings:**

**Flat Top 1 Reveal 8" Technical Drawings:**

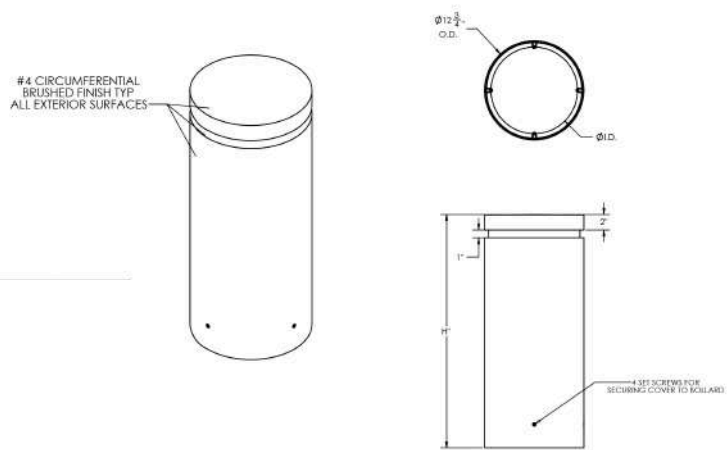
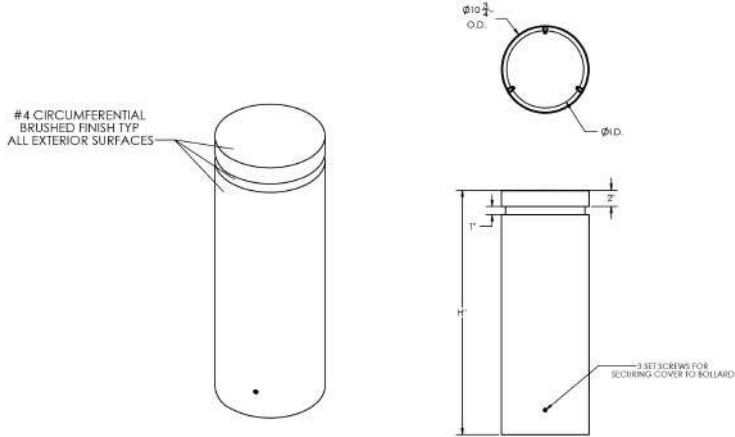


Dwg Title:	Created by:	Size:	Version:
6in. Flat Top 1	Bullard Bollards	A4	1
 <b>BULLARD BOLLARDS</b>		Current date:	29.04.2020
		Added:	29.04.2020
		Scale:	Sheet:
		1:1	1/1


Dwg Title:	Created by:	Size:	Version:
8in. Flat Top 1	Bullard Bollards	A4	1
 <b>BULLARD BOLLARDS</b>		Current date:	29.04.2020
		Added:	29.04.2020
		Scale:	Sheet:
		1:1	1/1

**Flat Top 1 Reveal 10" Technical Drawings:**

**Flat Top 1 Reveal 12" Technical Drawings:**



Dwg Title:	Created by:	Size:	Version:
10in. Flat Top 1	Bullard Bollards	A4	1
 <b>BULLARD BOLLARDS</b>		Current date:	29.04.2020
		Added:	29.04.2020
		Scale:	Sheet:
		1:1	1/1

Dwg Title:	Created by:	Size:	Version:
12in. Flat Top 1	Bullard Bollards	A4	1
 <b>BULLARD BOLLARDS</b>		Current date:	29.04.2020
		Added:	29.04.2020
		Scale:	Sheet:
		1:1	1/1