



**PRODUCT CODE:**

Art. 19

**DIMENSIONS:**

Height (KK): 36"/40"/42"

Diameter(FF): 6"/8"/10"/12"(choose depending on a security rating needed\*)

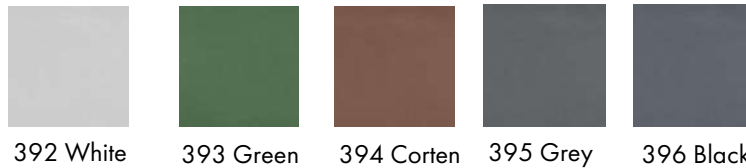
**BOLLARD COVER MATERIAL(BB):**

- 01 Stainless steel
- 02 Carbon Steel
- 03 Aluminum

**FINISHES(QQ):**

- 11 316 Stainless steel with a #4 swirl brushed stainless surface finish
- 12 Custom RAL

Stainless powder coated standard colors:



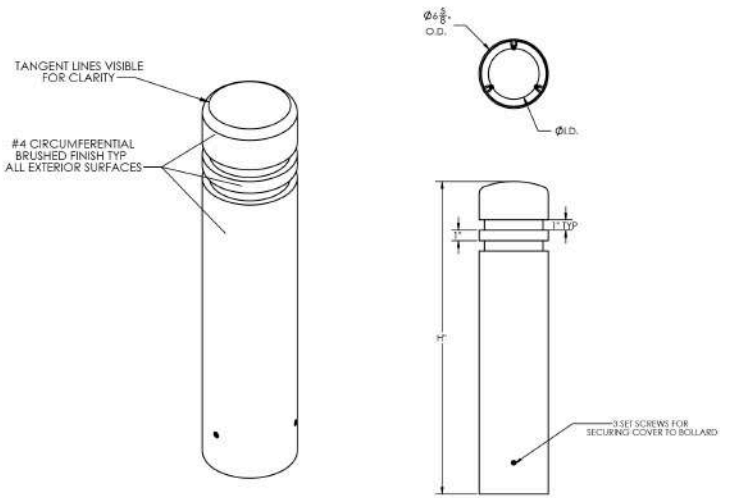
**SECURITY RATING(RR):**

**Please Read our Crash Rating guidance**

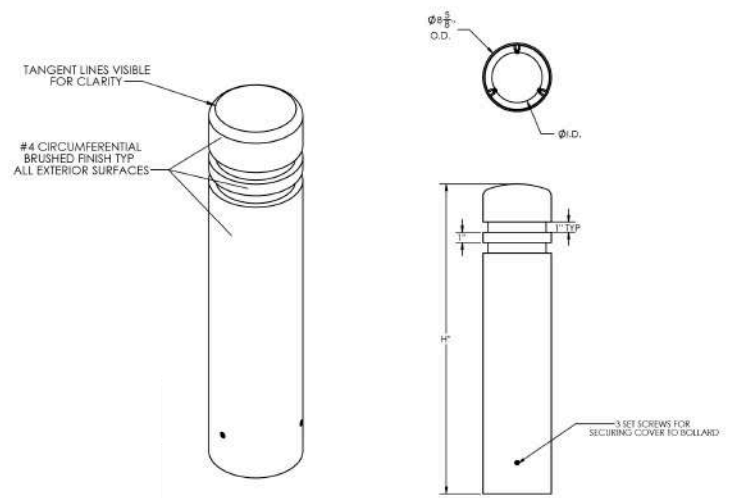
BDS-C40FB36-ST	ASTM C40 CRASH RATED FIXED BOLLARD
BDS-C40RB36-ST	ASTM C40 CRASH RATED REMOVABLE BOLLARD
BDS-M30-FB-ST	ASTM M30 CRASH RATED FIXED BOLLARD
BDS-M30-RB-ST	ASTM M30 CRASH RATED REMOVABLE BOLLARD
BDS-M30FB-SH	ASTM M30 CRASHED RATED SHALLOW BOLLARD
BDS-M30RB-SH	ASTM M30 CRASHED RATED SHALLOW BOLLARD
BDS-PU40FB36-ST	ASTM PU40 CRASH RATED FIXED BOLLARD
BDS-PU40RB36-ST	ASTM PU40 CRASH RATED REMOVABLE BOLLARD

**Dome Top 2 Reveal 6" Technical Drawings:**

**Dome Top 2 Reveal 8" Technical Drawings:**



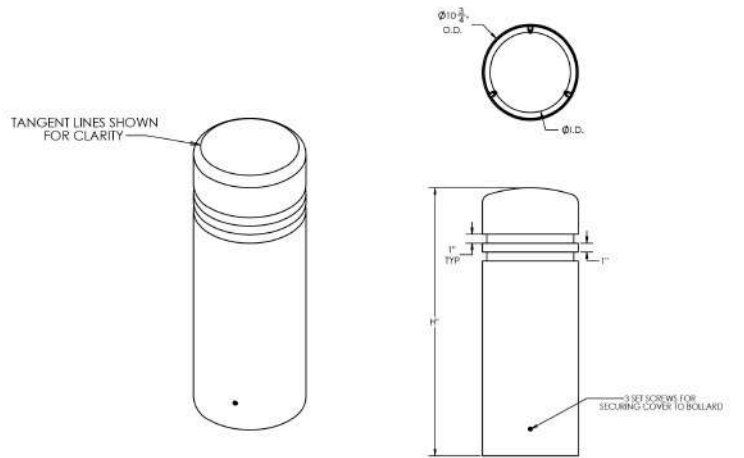
Dwg Title:	Created by:	Size:	Version:
6in. Dome Top 2	Bullard Bollards	A4	1
Current date:			
29.04.2020			
Added:			
29.04.2020			
Scale:	Sheet:		
1:1	1/1		



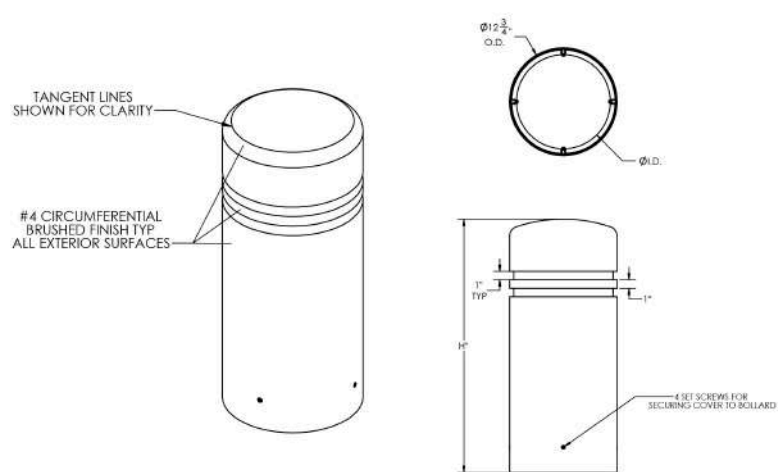
Dwg Title:	Created by:	Size:	Version:
8in. Dome Top 2	Bullard Bollards	A4	1
Current date:			
29.04.2020			
Added:			
29.04.2020			
Scale:	Sheet:		
1:1	1/1		

**Dome Top 2 Reveal 10" Technical Drawings:**

**Dome Top 2 Reveal 12" Technical Drawings:**



Dwg Title:	Created by:	Size:	Version:
10in. Dome Top 2	Bullard Bollards	A4	1
Current date:			
29.04.2020			
Added:			
29.04.2020			
Scale:	Sheet:		
1:1	1/1		



Dwg Title:	Created by:	Size:	Version:
12in. Dome Top 2	Bullard Bollards	A4	1
Current date:			
29.04.2020			
Added:			
29.04.2020			
Scale:	Sheet:		
1:1	1/1		