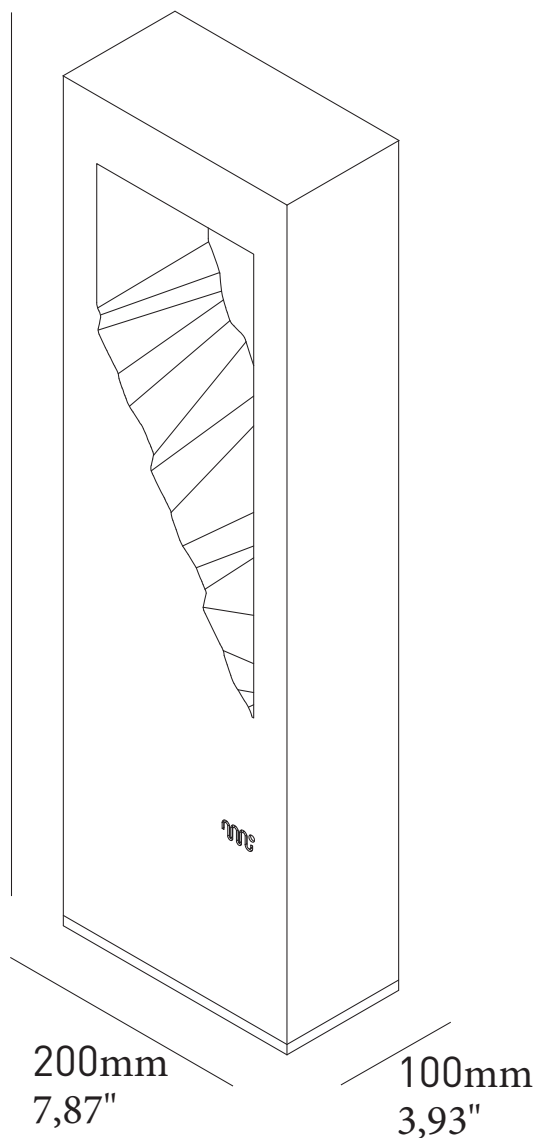




# CRACK TROUGH



Trough



## BODY:

Available in raw cor-ten steel or artificially oxidised using an accelerated oxidation treatment. A process that under normal conditions changes an originally orange colour to a reddish-brown colour with tonal variations and nuances, as would occur over 18-36 months. Effects that can lead to the formation of different coloured oxides, giving variation in aesthetic characteristics, even between products. The formation of the oxidized surface layer, takes place only where atmospheric exposure and alternating wet and dry cycles are present. Otherwise the protective layer is not formed and the cor-ten steel behaves like a common steel. When introducing cor-ten, both raw and oxidised, oxide traces can be released that may stain the area surrounding the bollard.

## LIGHT SOURCES:

9W LED. Available with WW (Warm White, 3000K) or NW (Neutral White, 4000K) CRI>80 colour temperature.

## POWER SUPPLY:

Mains voltage power supply.

## GENERAL INFORMATION:

IP65

MID POWER LED
 
 Direct asymmetrical

## CRACK TROUGH:

Light source	Wattage	kg	mm (H)	Code
LED	9W	8,00	660	76880. __ NW/WW
110-277V / 50-60Hz				
Ground prong kit				91192.00
NW (Neutral White):				CRI >80 / lm 640 / K 4000
WW (Warm White):				CRI >80 / lm 630 / K 3000

Integrated electronic control gear

Luminaire equipped with a pre-assembled power cable L=1m

## COLOUR IDENTIFICATION TO BE ADDED TO THE CODE:

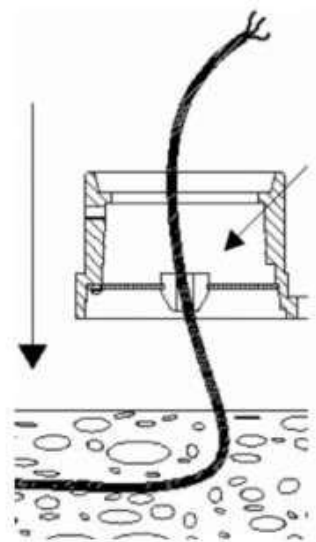
**17**  
Oxidized Corten
 
**46**  
Corten



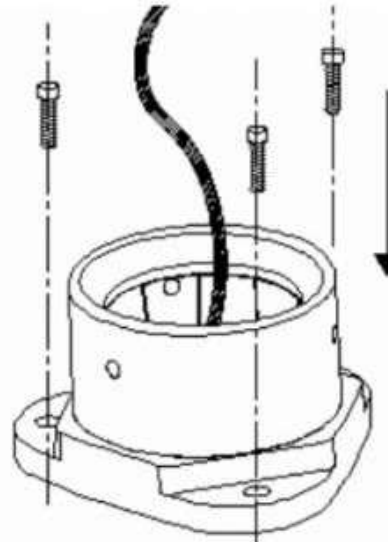
## Installation details



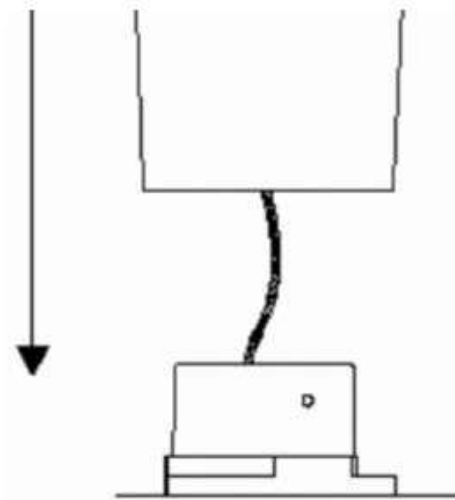
Run Low Voltage  
Wires



Screw down  
Fixture Base



Slide fixture  
Body on top of base and Tighten



\*actual product may vary during production process