

GENERAL INFORMATION:

Place installation: outdoor
 Standard colour: GR - graphite satin finish (similar to RAL 7022)
 Variant colour: DN - embossed white RAL 9003;
 AL - aluminium grey (similar to RAL 7040)
 CO - Corten
 Environments: urban landscape, hallway, residential lighting



PHYSICAL:

Installation type: low pole/bollard
 Mounting type: ground surface
 Painting: Polyester powder coating, with a pluri-processed against corrosion (passed the exposure of over 1500 hours in a saline mist environment).
 Body: Corrosion resistant extruded aluminium post. Corrosion resistant die-cast aluminium body.

DIMENSIONS:

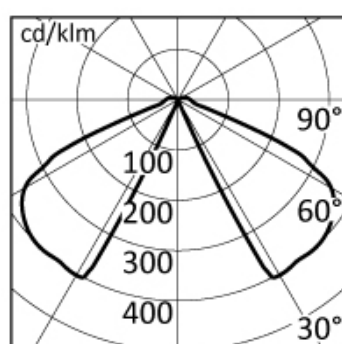
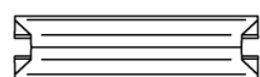
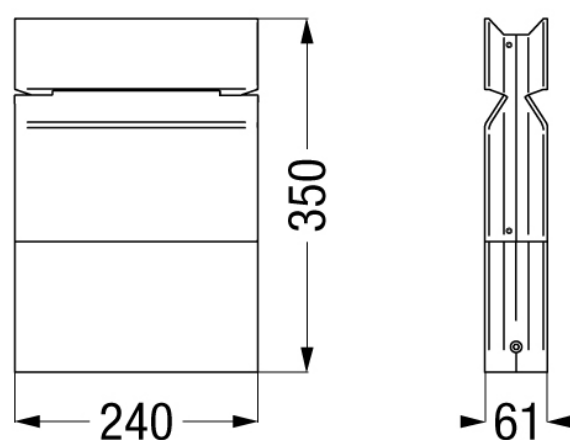
A: Total width device: 61 mm (2,40")
 L: Total length device: 240 mm (9,44")
 H: Total height device: 350 mm (13,77")
 Weight: 4,1 kg

OPTICAL SYSTEMS:

Emission: double emission
 Opening beam: diffused
 Optical System: Safety tempered glass.

ELECTRICAL:

Mounting ballast type: Integral
 Line input: Cable entry: predisposed for daisy chain wiring, internal derivation - terminal block screws 3x2,5mm² use only (EN 60598-1) cable type H07RN-F with diameter between 7 and 10mm.
 Voltage: 110-277V
 Frequency: 50-60Hz



MODELS:

Source Type:	Power:	Flux:	K:	Control:	Code:
LED	18,5W	680 lm	4000K CRI>80	Multipower ON-OFF.	D68/B2-84-350-GR
LED	18,5W	540 lm	3000K CRI>90	Multipower ON-OFF.	D68/B2-93-350-GR
LED	18,5W	680 lm	4000K CRI>80	DALI.	D68/B2-84-350-DD-GR
LED	18,5W	540 lm	3000K CRI>90	DALI.	D68/B2-93-350-DD-GR

OPTIONAL ACCESSORY:



Accessory code: D68/B2-TF
 Technical description: KEA bollard double emission counter plate with stay bolts.