

GENERAL INFORMATION:

Place installation:	outdoor
Standard colour:	GR - graphite satin finish (similar to RAL 7022)
Variant colour:	DN - embossed white RAL 9003; AL - aluminium grey (similar to RAL 7040) CO - Corten
Environments:	urban landscape, hallway, residential lighting



PHYSICAL:

Installation type:	low pole/bollard
Mounting type:	ground surface
Painting:	Polyester powder coating, with a pluri-processed against corrosion (passed the exposure of over 1500 hours in a saline mist environment).
Body:	Corrosion resistant extruded aluminium post. Corrosion resistant die-cast aluminium body.

DIMENSIONS:

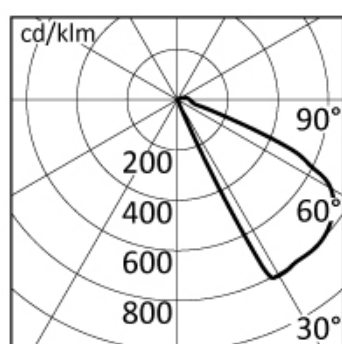
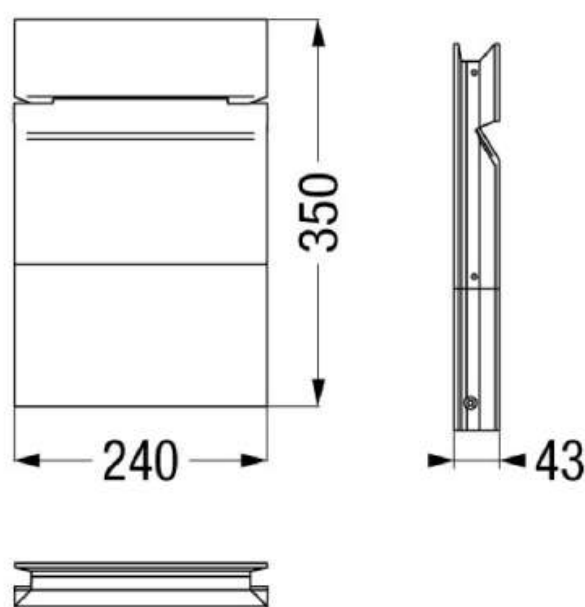
A: Total width device:	43mm(1,69")
L: Total length device	240mm(9,44")
H: Total height device	350mm(13,77")
Weight	3,5kg

OPTICAL SYSTEMS:

Emission:	single emission
Opening beam:	diffused
Optical System:	Safety tempered glass.

ELECTRICAL:

Mounting ballast type:	Integral
Line input:	Cable entry: predisposed for daisy chain wiring, internal derivation - terminal block screws 3x2,5mm ² use only (EN 60598-1) cable type H07RN-F with diameter between 7 and 10mm.
Voltage:	110-277V
Frequency:	50-60Hz



MODELS:

Source Type:	Power:	Flux:	K:	Control:	Code:
LED	9,5W	340 lm	4000K CRI>80	Multipower ON-OFF.	D68/B1-84-350-GR
LED	9,5W	270 lm	3000K CRI>90	Multipower ON-OFF.	D68/B1-93-350-GR
LED	9,5W	340 lm	4000K CRI>80	DALI.	D68/B1-84-350-DD-GR
LED	9,5W	270 lm	3000K CRI>90	DALI.	D68/B1-93-350-DD-GR

OPTIONAL ACCESSORY:



Accessory code:	D68/B1-TF
Technical description:	KEA bollard single emission counter plate with stay bolts.