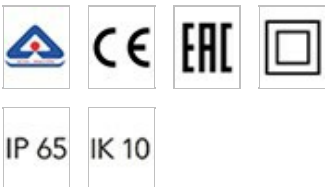


H(m)	φ(m)	Lux Medi
5	22.1	0
4	17.7	0
3	13.3	0
2	8.8	0
1	4.4	0



## CONSTRUCTIVE & DIMENSIONAL:

Application field: Walkways and driveways, Passageways, Cycle paths, Gardens, Squares  
 Construction material: Extruded aluminum EN AW-6060 T5 high resistance to oxidation

External screws: Stainless steel A4-70 treated with highly antioxidant water-repellent lubricating solution  
 Diameter: 165mm(6,49")  
 Height: 2400mm(94,48")

## ELECTRICAL FOR MODEL:

**GH1262.CGXT300EN**  
1262.CGX.T

Description: 1 x 26 W LED 3000 K CRI>90 2967 lm  
 Operating Power: 110-277 V / 50-60 Hz  
 Number of heads: 1  
 Number of Circuits: 1  
 Driver positioning: Integral  
 Control gear type: Electronic  
 Cable entry: Fixture supplied with pre-wired cable H05RN-F  
 Emergency kit: Not available

## ELECTRICAL FOR MODEL:

**GH1262.CGXT400EN**  
1262.CHX.T

Description: 1 x 26 W LED 4000 K CRI>90 3012 lm  
 Operating Power: 110-277 V / 50-60 Hz  
 Number of heads: 1  
 Number of Circuits: 1  
 Driver positioning: Integral  
 Control gear type: Electronic  
 Cable entry: Fixture supplied with pre-wired cable H05RN-F 0.5m  
 Emergency kit: Not available

## OPTICAL:

Beam type: Bollard [180° emission]  
 Beam angle [°] Light: 180°  
 distribution: Beam: Symmetric  
 directionability: Fixed  
 Diffuser material: Polycarbonate  
 Diffuser finish: Clear  
 Reflector material: Thermopolymer with high vacuum deposited aluminium

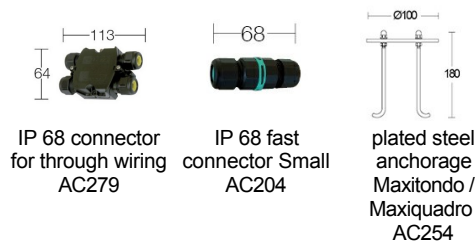
## LIGHTING SOURCE:

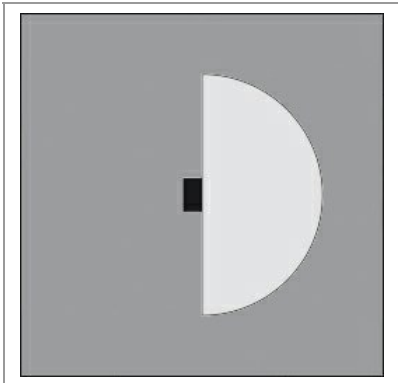
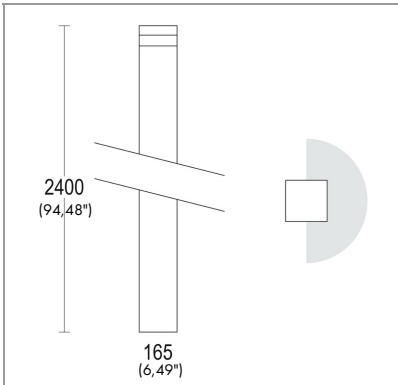
Light source: LED  
 Power: 26 W  
 LED voltage range [V]: 31.2-36.8V  
 Current: 700 mA  
 ZVEI - Led Type: COB  
 Binning: Step MacAdam 3  
 Color temperature: 3000K for model GH1262.CGXT300EN 1262.CGX.T  
 4000K for model GH1262.CGXT400EN 1262.CHX.T  
 Color rendering index: CRI>90  
 Nominal LED emission: 2967 lm for model GH1262.CGXT300EN 1262.CGX.T  
 3012 lm for model GH1262.CGXT400EN 1262.CHX.T  
 Light source: Included  
 Ambient temperature operating range: -20 °C ÷ +35 °C

## FINISH CODE:

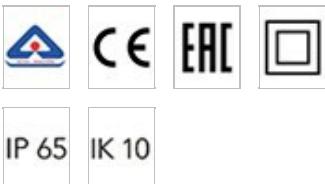
■ .05 Dark grey (matt)      ■ .19 Light Grey

## ACCESSORIES:





H(m)	φ(m)	Lux Medi
5	22.1	0
4	17.7	0
3	13.3	0
2	8.8	0
1	4.4	0



## CONSTRUCTIVE & DIMENSIONAL:

Application field: Walkways and driveways, Passageways, Cycle paths, Gardens, Squares  
Construction material: Extruded aluminum EN AW-6060 T5 high resistance to oxidation

External screws: Stainless steel A4-70 treated with highly antioxidant water-repellent lubricating solution  
Diameter: 165mm(6,49")  
Height: 2400mm(94,48")

## ELECTRICAL FOR MODEL:

**GH1262.ECXT300EN**  
1262.ECX.T

Description: 1 x 32 W LED 3000 K CRI>90 3725 lm  
Operating Power: 110-277 V / 50-60 Hz  
Number of heads: 1  
Number of Circuits: 1  
Driver positioning: Integral  
Control gear type: Electronic  
Cable entry: Fixture supplied with pre-wired cable H05RN-F  
Emergency kit: Not available

## ELECTRICAL FOR MODEL:

**GH1262.ECXT400EN**  
1262.EDX.T

Description: 1 x 32 W LED 4000 K CRI>90 3781 lm  
Operating Power: 110-277 V / 50-60 Hz  
Number of heads: 1  
Number of Circuits: 1  
Driver positioning: Integral  
Control gear type: Electronic  
Cable entry: Fixture supplied with pre-wired cable H05RN-F 0.5m  
Emergency kit: Not available

## OPTICAL:

Beam type: Bollard [180° emission]  
Beam angle [°] Light: 180°  
distribution: Beam: Symmetric  
directionality: Fixed  
Diffuser material: Polycarbonate  
Diffuser finish: Clear  
Reflector material: Thermopolymer with high vacuum deposited aluminium

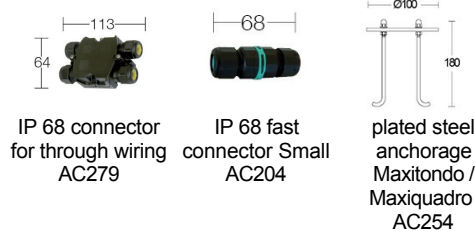
## LIGHTING SOURCE:

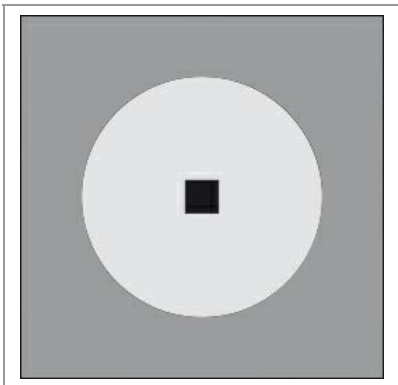
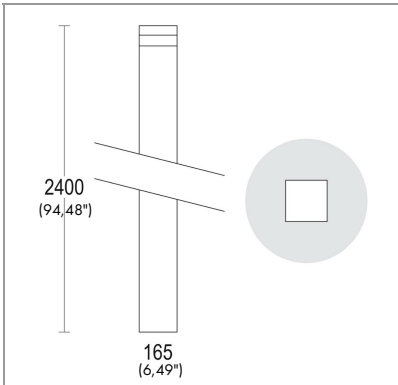
Light source: LED  
Power: 32 W  
LED voltage range [V]: 31.2-36.8V  
Current: 900 mA  
ZVEI - Led Type: COB  
Binning: Step MacAdam 3  
Color temperature: 3000K for model GH1262.ECXT300EN 1262.ECX.T  
4000K for model GH1262.ECXT400EN 1262.EDX.T  
Color rendering index: CRI>90  
Nominal LED emission: 3725 lm for model GH1262.ECXT300EN 1262.ECX.T  
3781 lm for model GH1262.ECXT400EN 1262.EDX.T  
Light source: Included  
Ambient temperature operating range: -20 °C ÷ +35 °C

## FINISH CODE:

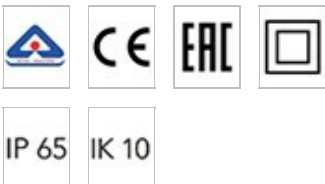
■ .05 Dark grey (matt)      ■ .19 Light Grey

## ACCESSORIES:





H(m)	φ(m)	Lux Medi
5	56.7	0
4	45.4	0
3	34.0	0
2	22.7	1
1	11.3	3



## CONSTRUCTIVE & DIMENSIONAL:

Application field: Walkways and driveways, Passageways, Cycle paths, Gardens, Squares  
 Construction material: Stainless steel AISI 316L, Extruded aluminum EN AW-6060 T5 high resistance to oxidation  
 External screws: Stainless steel A4-70 treated with highly antioxidant water-repellent lubricating solution  
 Diameter [mm]: 165mm(6,49")  
 Height: 2400mm(94,48")

## ELECTRICAL FOR MODEL:

**GH1263.CGXT300EN**  
1263.CGX.T

Description: 1 x 26 W LED 3000 K CRI>90 2967 lm  
 Operating Power: 110-277 V / 50-60 Hz  
 Number of heads: 1  
 Number of Circuits: 1  
 Driver positioning: Integral  
 Control gear type: Electronic  
 Cable entry: Fixture supplied with pre-wired cable H05RN-F  
 Emergency kit: Not available

## ELECTRICAL FOR MODEL:

**GH1263.CGXT400EN**  
1263.CHX.T

Description: 1 x 26 W LED 4000 K CRI>90 3012 lm  
 Operating Power: 110-277 V / 50-60 Hz  
 Number of heads: 1  
 Number of Circuits: 1  
 Driver positioning: Integral  
 Control gear type: Electronic  
 Cable entry: Fixture supplied with pre-wired cable H05RN-F 0.5m  
 Emergency kit: Not available

## OPTICAL:

Beam type: Bollard [360° emission]  
 Beam angle [°] Light: 360°  
 distribution: Beam  
 directionality: Symmetric  
 directionality: Fixed  
 Diffuser material: Polycarbonate  
 Diffuser finish: Clear  
 Reflector material: Thermopolymer with high vacuum deposited aluminium

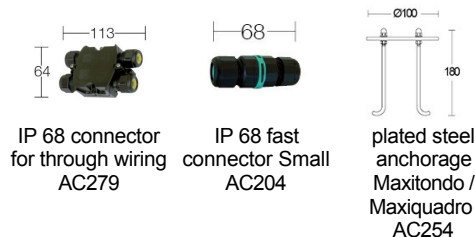
## LIGHTING SOURCE:

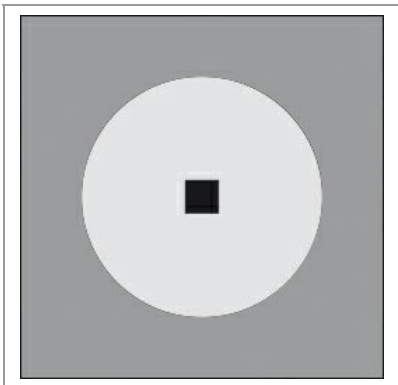
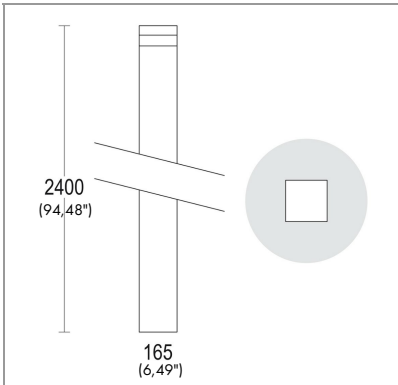
Light source: LED  
 Power: 26 W  
 LED voltage range [V]: 31.2-36.8V  
 Current: 700 mA  
 ZVEI - Led Type: COB  
 Binning: Step MacAdam 3  
 Color temperature: 3000K for model GH1263.CGXT300EN 1263.CGX.T  
 4000K for model GH1263.CGXT400EN 1263.CHX.T  
 CRI>90  
 Color rendering index:  
 Nominal LED emission: 2967 lm for model GH1263.CGXT300EN 1263.CGX.T  
 3012 lm for model GH1263.CGXT400EN 1263.CHX.T  
 Light source: Included  
 Ambient temperature operating range: -20 °C ÷ +35 °C

## FINISH CODE:

■ .05 Dark grey (matt)      ■ .19 Light Grey

## ACCESSORIES:





H(m)	φ(m)	Lux Medi
5	56.7	0
4	45.4	0
3	34.0	0
2	22.7	1
1	11.3	3



## CONSTRUCTIVE & DIMENSIONAL:

Application field: Walkways and driveways, Passageways, Cycle paths, Gardens, Squares  
 Construction material: Stainless steel AISI 316L, Extruded aluminum EN AW-6060 T5 high resistance to oxidation  
 External screws: Stainless steel A4-70 treated with highly antioxidant water-repellent lubricating solution  
 Diameter [mm]: 165mm(6,49")  
 Height: 2400mm(94,48")

## ELECTRICAL

**GH1263.ECXT400EN**  
1263.EDX.T

Description: 1 x 32 W LED 4000 K CRI>90 3781 lm  
 Operating Power: 110-277 V / 50-60 Hz  
 Number of heads: 1  
 Number of Circuits: 1  
 Driver positioning: Integral  
 Control gear type: Electronic  
 Cable entry: Fixture supplied with pre-wired cable H05RN-F  
 Emergency kit: Not available

## OPTICAL:

Beam type: Bollard [360° emission]  
 Beam angle [°] Light: 360°  
 distribution: Beam: Symmetric  
 directionality: Fixed  
 Diffuser material: Polycarbonate  
 Diffuser finish: Clear  
 Reflector material: Thermopolymer with high vacuum deposited aluminium

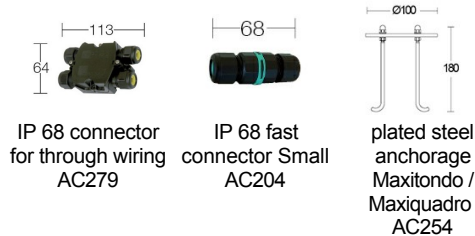
## LIGHTING SOURCE:

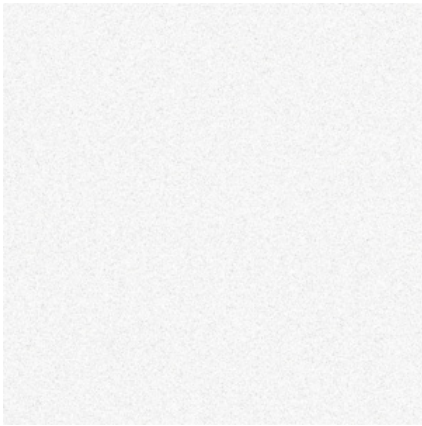
Light source: LED  
 Power: 32 W  
 LED voltage range [V]: 31.2-36.8V  
 Current: 900 mA  
 ZVEI - Led Type: COB  
 Binning: Step MacAdam 3  
 Color temperature: 4000K  
 Color rendering index: CRI>90  
 Nominal LED emission: 3781 lm  
 Light source: 1262.EDX.T Included  
 Ambient temperature operating range: -20 °C ÷ +35 °C

## FINISH CODE:

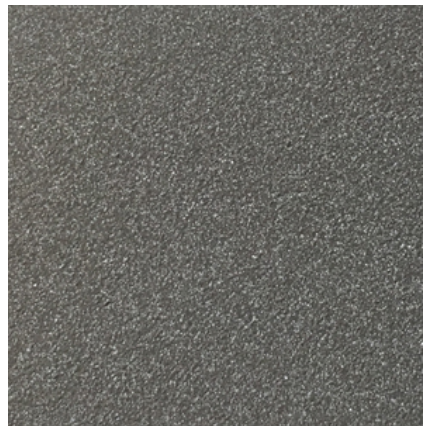
■ .05 Dark grey (matt)      ■ .19 Light Grey

## ACCESSORIES:





**.01 WHITE**



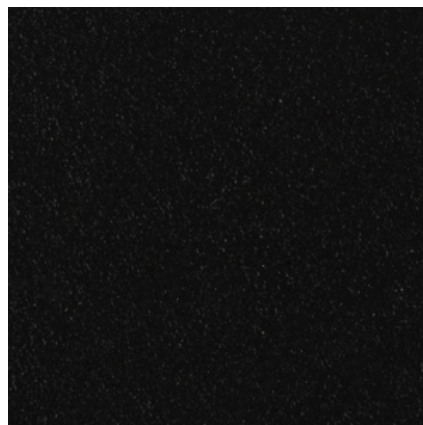
**.05 ANTHRACITE GREY**



**.19 LIGHT GREY**



**.15 STAINLESS STEEL**



**.02 BLACK**



**.32 OAK EFFECT**



**.45 RUST**



**.34 GLASS**



**.43 CONCRETE EFFECT**