



## CONSTRUCTIVE & DIMENSIONAL:

Application field:	Landscaped areas, Pathways, Driveways
Construction material:	Extruded aluminum EN AW-6060 T5 high resistance to oxidation
External screws:	Stainless steel A4-70 treated with highly antioxidant water-repellent lubricating solution
Length:	100mm(3,93")
Width:	100mm(3,93")
Height :	175mm(6,88")



## ELECTRICAL FOR MODEL:

**GH1459.LVXT300EN  
1459.LVX.T**

Description:	1 x 8 W LED 3000 K CRI>85 650 lm
Operating Power:	110-277 V / 50-60 Hz
Number of heads:	1
Number of Circuits:	1
Driver positioning:	Integral
Control gear type:	Electronic
Cable entry:	Fixture supplied with pre-wired cable H05RN-F
Emergency kit:	Not available

## ELECTRICAL FOR MODEL:

**GH1459.LVXT400EN  
1459.LZX.T**

Description:	1 x 8 W LED 4000 K CRI>85 690 lm
Operating Power:	110-277 V / 50-60 Hz
Number of heads:	1
Number of Circuits:	1
Driver positioning:	Integral
Control gear type:	Electronic
Cable entry:	Fixture supplied with pre-wired cable H05RN-F 0.5m
Emergency kit:	Not available

## OPTICAL:

Beam type:	Bollard [180° emission]
Beam angle [°]	180°
Light distribution:	Symmetric
Beam directionability:	Fixed
Diffuser material:	Polycarbonate
Diffuser finish:	Clear
Reflector material:	Thermopolymer with high vacuum deposited aluminium

## LIGHTING SOURCE:

Light source:	LED
Power:	8 W
ZVEI - Led Type:	DOB
Color temperature:	3000K for model GH1459.LVXT300EN 1459.LVX.T 4000K for model GH1459.LVXT400EN 1459.LZX.T
Color rendering index:	CRI>85
Nominal LED emission:	650 lm for model GH1459.LVXT300EN 1459.LVX.T 690 lm for model GH1459.LVXT400EN 1459.LZX.T
Light source:	Included
Ambient temperature operating range:	-20 °C ÷ +35 °C

## FINISH CODE:

**.05 Dark grey (matt)**

**.19 Light Grey**

## ACCESSORIES:



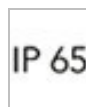
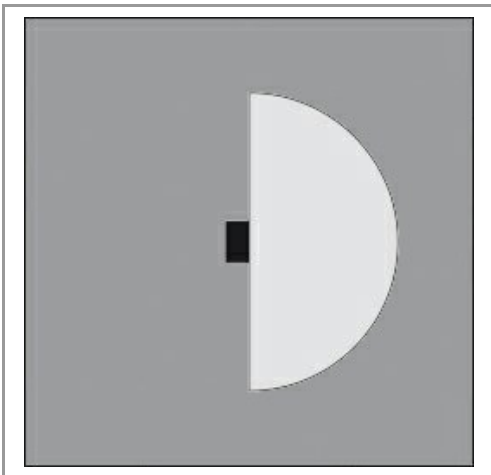
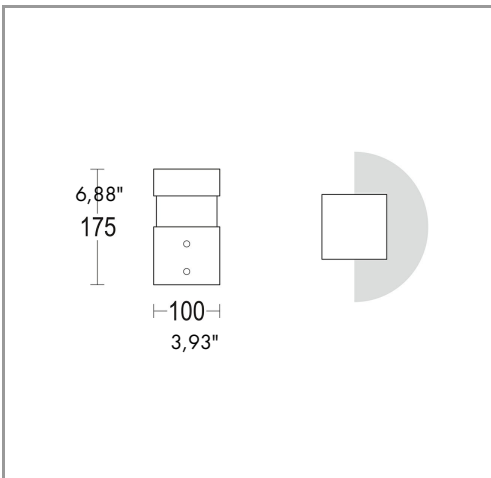
IP 68 connector  
for through wiring  
AC279

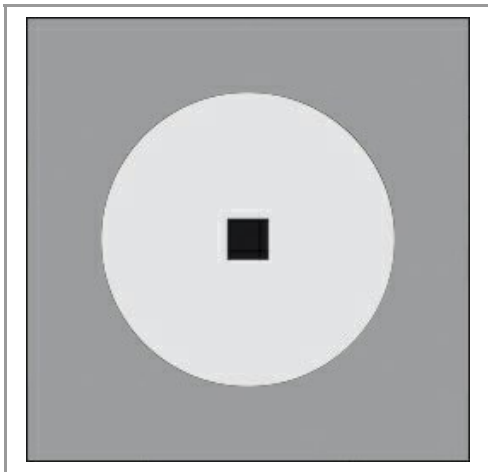
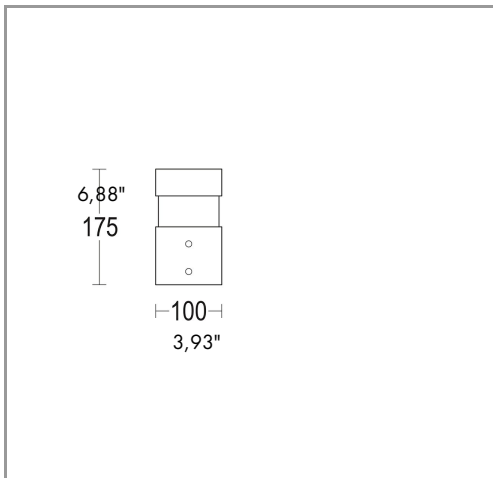


IP 68 fast  
connector Small  
AC204



plated steel  
anchorage  
Quadro / Tondo /  
Rettangolo  
AC251





## CONSTRUCTIVE & DIMENSIONAL:

Application field:	Landscaped areas, Pathways, Driveways
Construction material:	Extruded aluminum EN AW-6060 T5 high resistance to oxidation
External screws:	Stainless steel A4-70 treated with highly antioxidant water-repellent lubricating solution
Length:	100mm(3,93")
Width:	100mm(3,93")
Height :	175mm(6,88")

## ELECTRICAL FOR MODEL:

**GH1460.LVXT300EN**  
**1460.LVX.T**

Description:	1 x 8 W LED 3000 K CRI>85 650 lm
Operating Power:	110-277 V / 50-60 Hz
Number of heads:	1
Number of Circuits:	1
Driver positioning:	Integral
Control gear type:	Electronic
Cable entry:	Fixture supplied with pre-wired cable H05RN-F
Emergency kit:	Not available

## ELECTRICAL FOR MODEL:

**GH1460.LVXT400EN**  
**1460.LZX.T**

Description:	1 x 8 W LED 4000 K CRI>85 690 lm
Operating Power:	110-277 V / 50-60 Hz
Number of heads:	1
Number of Circuits:	1
Driver positioning:	Integral
Control gear type:	Electronic
Cable entry:	Fixture supplied with pre-wired cable H05RN-F 0.5m
Emergency kit:	Not available


## OPTICAL:

Beam type:	Bollard [360° emission]
Beam angle [°]	360°
Light distribution:	Symmetric
Beam directionability:	Fixed
Diffuser material:	Polycarbonate
Diffuser finish:	Clear
Reflector material:	Thermopolymer with high vacuum deposited aluminium

## LIGHTING SOURCE:

Light source:	LED
Power:	8 W
ZVEI - Led Type:	DOB
Color temperature:	3000K for model GH1460.LVXT300EN 1460.LVX.T 4000K for model GH1460.LVXT400EN 1460.LZX.T
Color rendering index:	CRI>85
Nominal LED emission:	650 lm for model GH1460.LVXT300EN 1460.LVX.T 690 lm for model GH1460.LVXT400EN 1460.LZX.T
Light source:	Included
Ambient temperature operating range:	-20 °C ÷ +35 °C

## FINISH CODE:

 .05 Dark grey (matt)

 .19 Light Grey

## ACCESSORIES:



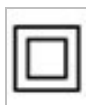
IP 68 connector  
for through wiring  
AC279

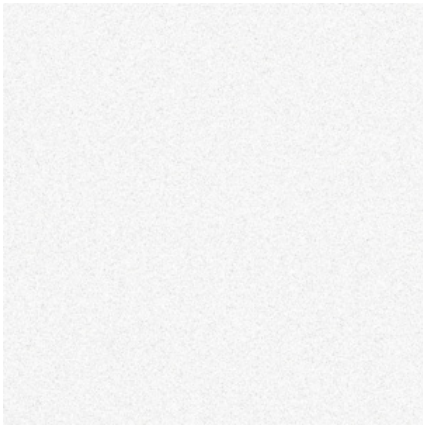


IP 68 fast  
connector Small  
AC204



plated steel  
anchorage  
Quadro / Tondo /  
Rettangolo  
AC251





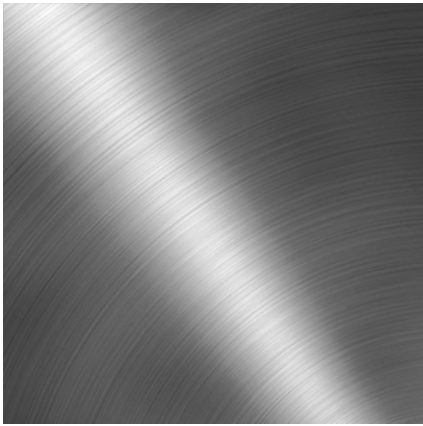
**.01 WHITE**



**.05 ANTHRACITE GREY**



**.19 LIGHT GREY**



**.15 STAINLESS STEEL**



**.02 BLACK**



**.32 OAK EFFECT**



**.45 RUST**



**.34 GLASS**



**.43 CONCRETE EFFECT**