



GENERAL:

Place installation: outdoor
 Standard Color: AL - aluminium grey (similar to RAL 7040)
 Variant Color: GR - graphite satin finish (similar to RAL 7022) urban landscape, facades and architectural works, hallway Class II insulation on request. 5000K on request. DALI on request.

PHYSICAL:

Installation type: ground, surface
 Mounting type: low pole/bollard, wall mounted
 Painting: Polyester powder coating, with a pluri-processed against corrosion (passed the exposure of over 1500 hours in a saline mist environment).
 Screws: AISI 304 stainless steel hardware tampering-proof, opened only with a special key.
 Seals: Silicone Rubber.
 Body: Composite high resistance technopolymer fixing base. Corrosion resistant die-cast aluminum body.

DIMENSIONS:

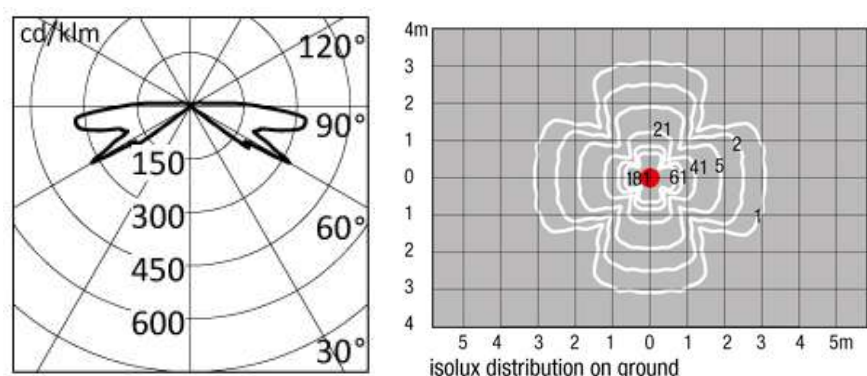
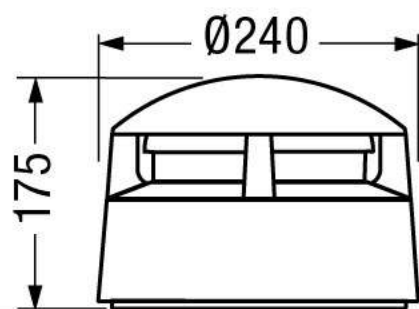
H: Total height: 175mm(6,88")
 D: Total diameter: 240mm(9,44")

OPTICAL SYSTEMS:

Emission: radial
 Opening beam: diffused
 Optical System: Unbreakable anti UV polycarbonate diffusers.

ELECTRICAL:

Mounting ballast type: Integral
 Line input: Complete with pre-wired and tested watertight H07RN-F cable.
 Voltage: 110-277V
 Frequency: 50-60Hz



MODELS:

Source Type:	Power:	Flux:	K:	Control:	Code:
LED COB	25W	708 lm	4000K CRI>80	Conventional.	D31/MLWN-AL
LED COB	25W	629 lm	3000K CRI>80	Conventional.	D31/MLWW-AL
LED COB	25W	708 lm	4000K CRI>80	DALI.	D31/MLWN-DD-AL
LED COB	25W	629 lm	3000K CRI>80	DALI.	D31/MLWW-DD-AL





OPTIONAL ACCESSORIES ELECTRICAL ONLY FOR CONVENTIONAL CONTROL TYPE MODELS :

Accessory code: ACS/CR1
 Technical description: Fast IP68 connector 1 bar (10m-1h) for cable Ø7-12mm - 3x1.5mm.

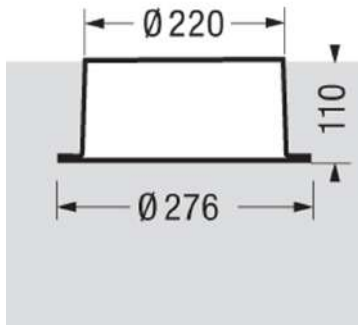


Accessory code: ACS/CR6
 Technical description: 4 ways IP68 wiring box for cable Ø5-14mm - 3x1,5mm.

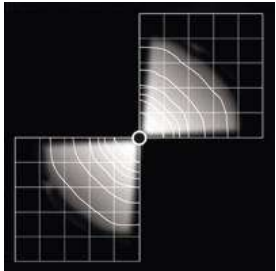


OPTIONAL ACCESSORIES MOUNTING:

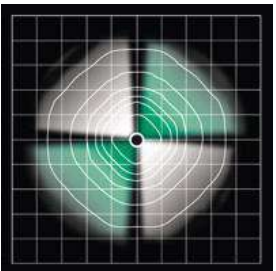
Accessory code: D31/P
 Technical description: Ground recessed pit. The D31/P has been designed to be embedded in the ground, works as a support and fixing base creating also the necessary room for the electrical shunt connection to the feeding line.
 Built-in depth: 110mm(4,33")



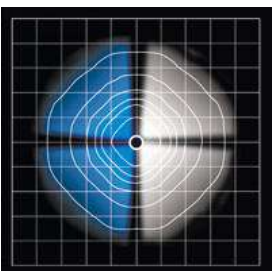
OPTIONAL ACCESSORIES MOUNTING:



Accessory code: D31/SO-B
 Technical description: Darkening sector, 90° wide. Max 2 pieces per unit. The use of one or two darkening sectors makes possible to have different light effects. Without using the quadrants the light is emitted radially at 360°.



Accessory code: D31/FB-V
 Technical description: Green colour filter, 90° wide.



Accessory code: D31/FB-B
 Technical description: Blue colour filter, 90° wide.

