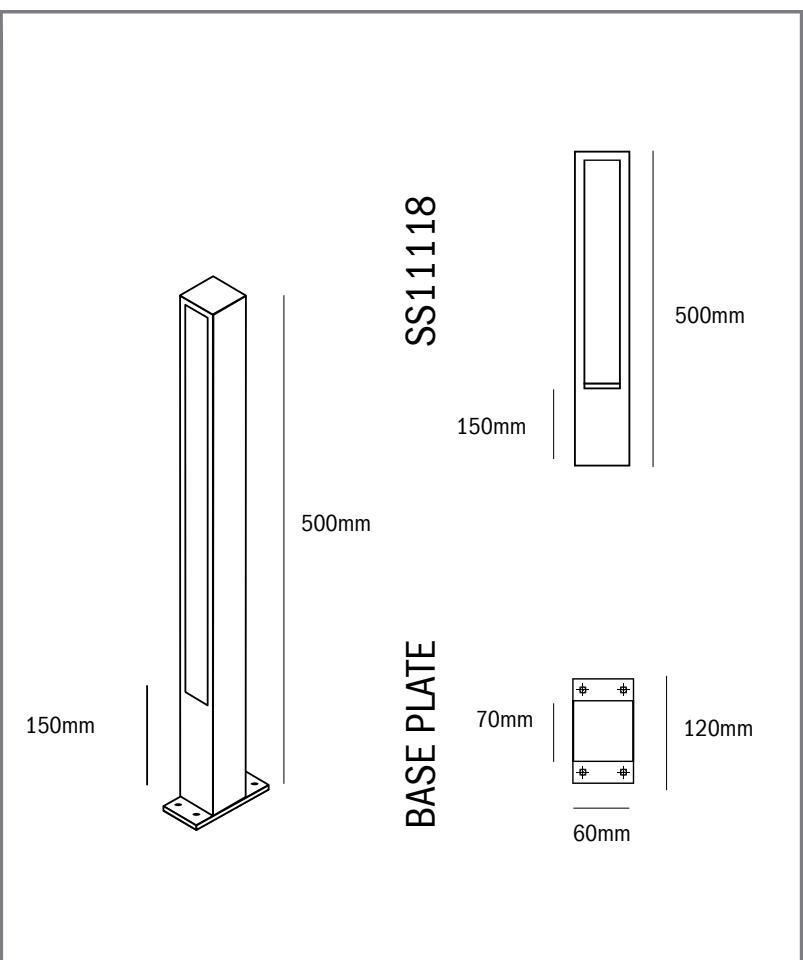




## 120V STAINLESS STEEL LINEAR BOLLARD 19,6" SS11118---1S--



### PRODUCT CODE:

SS11118---1S--

### MATERIAL:

Stainless Steel with PMMA Lampshade

### POWER:

100W

### BASE:

T5 LED TUBE

### INTEGRATED LED:

NO

### IP RATING:

IP55

### DIMENSIONS:

H: 19.6in (500mm), W: 4.7in (120mm) D: 5.9in (150mm)  
Baseplate: 2.75in (70mm), 2.36in (60mm)

### PRODUCT FEATURES:

Tube is not included.  
Excellent For Hot & Cold Weather Applications  
No UV or IR Radiation

### ENVIRONMENTAL SPECIFICATIONS:

Operating Temperature: -20 °C ~ 45 °C  
Environmental Humidity: 0% ~ 95%

### RECOMMENDED TUBE:

To be ordered separately



### RECOMMENDED PLATES AND SPIKE:

Plate For Soil: SPS103-----M--



Spike: SPB1-----M--

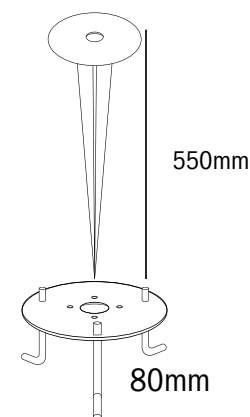


Plate For Concrete: SPS132-----M--



All ground plates come with 4 stainless steel screw-on stands.  
All spike plates come with 4 stainless steel screw-on stands.

