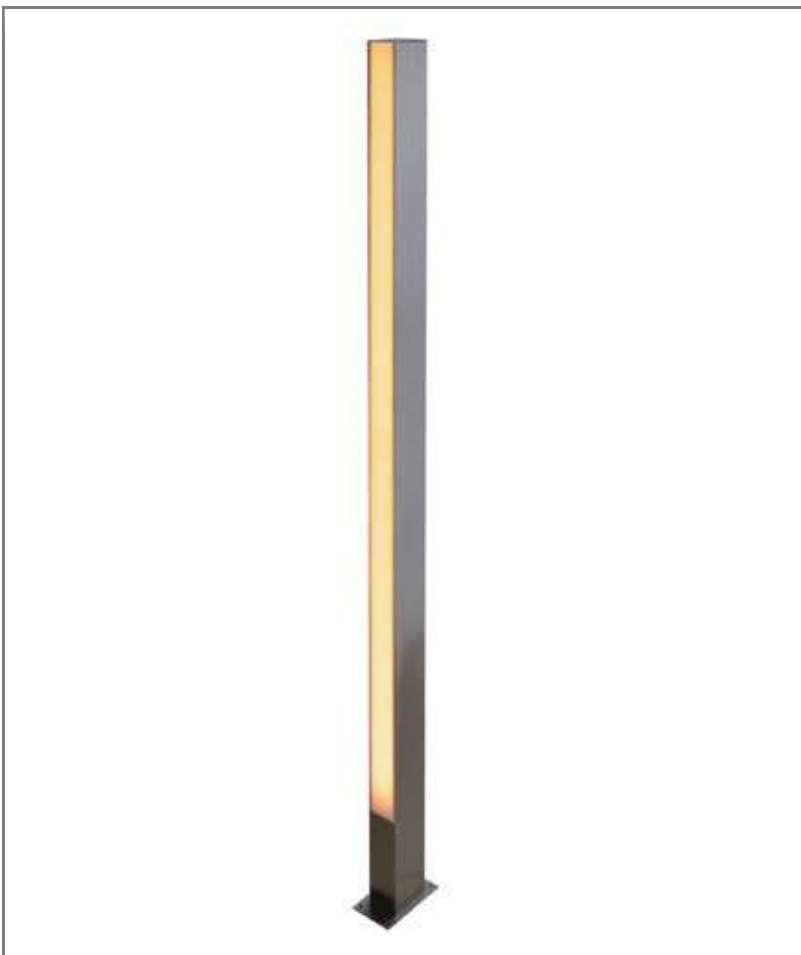




120V STAINLESS STEEL LINEAR BOLLARD 53,1" SS114128--4S--



PRODUCT CODE:

SS114128--4S--

MATERIAL:

Stainless Steel with PMMA Lampshade

POWER:

100W

BASE:

T5 LED TUBE

INTEGRATED LED:

NO

IP RATING:

IP55

DIMENSIONS:

H: 53.1in (1350mm), W: 4.7in (120mm) D: 5.9in (150mm)
Baseplate: 2.75in (70mm), 2.36in (60mm)

PRODUCT FEATURES:

Tube is not included.
Excellent For Hot & Cold Weather Applications
No UV or IR Radiation

ENVIRONMENTAL SPECIFICATIONS:

Operating Temperature: -20 °C ~ 45 °C
Environmental Humidity: 0% ~ 95%

RECOMMENDED TUBE:

To be ordered separately

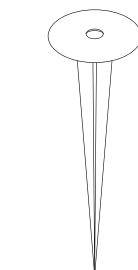


RECOMMENDED PLATES AND SPIKE:

Plate For Soil: SPS103-----M--

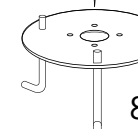


Spike: SPB1-----M--

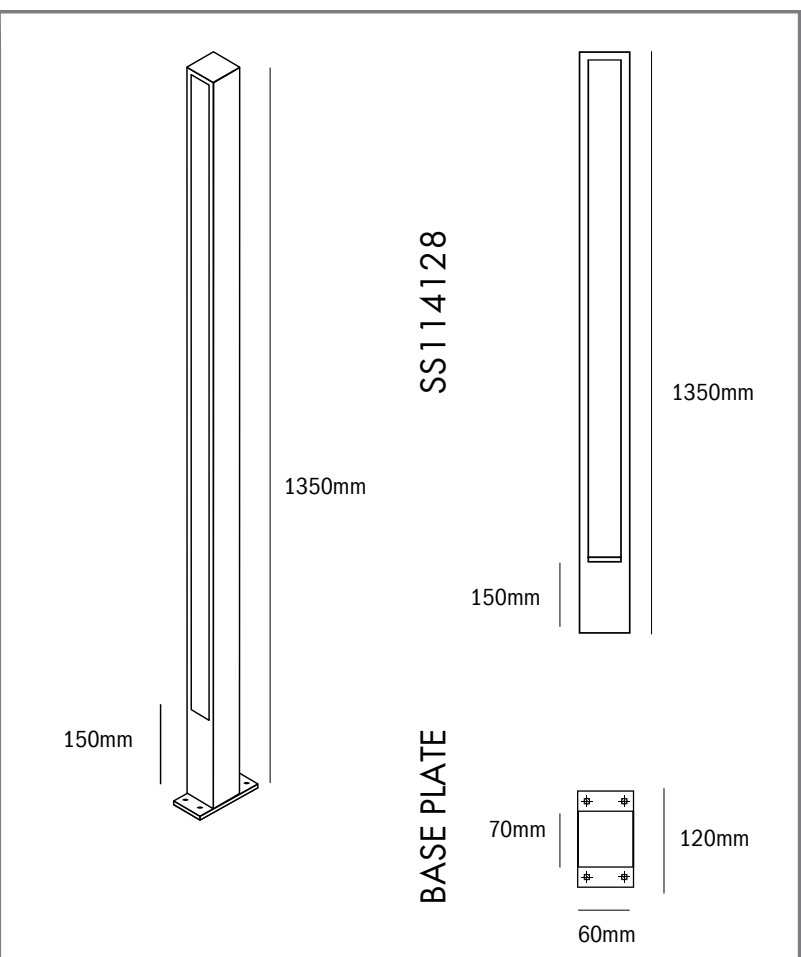


550mm

Plate For Concrete: SPS132-----M--



80mm



All ground plates come with 4 stainless steel screw-on stands.
All spike plates come with 4 stainless steel screw-on stands.