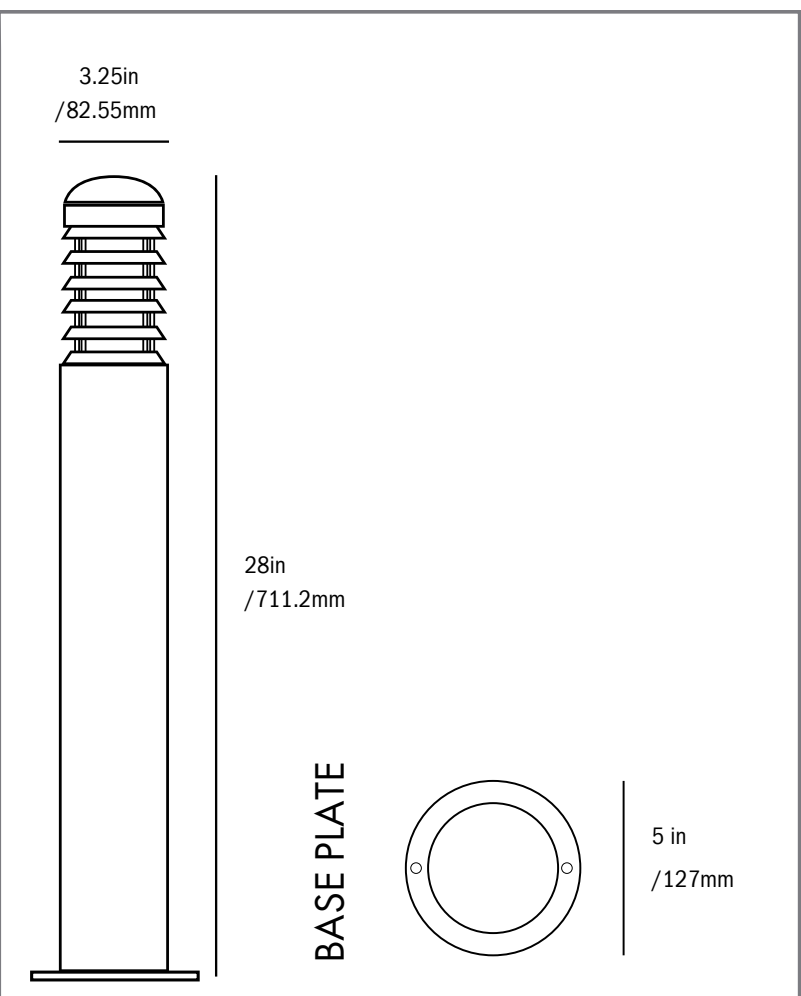




120V TEAK WOOD BOLLARD 28" W1021-13--2W--



PRODUCT CODE:

W1021-13--2W--

MATERIAL:

Teak Wood with Plastic Lampshade

POWER:

40W

INPUT VOLTAGE:

120V AC

INTEGRATED LED:

NO

BASE:

E12

IP RATING:

IP55

DIMENSIONS:

With Plate: H: 28in (711.2mm) W: Ø5in (127mm)

PRODUCT FEATURES:

- Bulb is not included
- Excellent For Hot & Cold Weather Applications
- No UV or IR Radiation

ENVIRONMENTAL SPECIFICATIONS:

Operating Temperature: -20 °C ~ 45 °C
 Environmental Humidity: 0% ~ 95%

RECOMMENDED BULB:

E12 3W Candle
 CA10134--C--WWC/CWC



RECOMMENDED PLATES AND SPIKE:

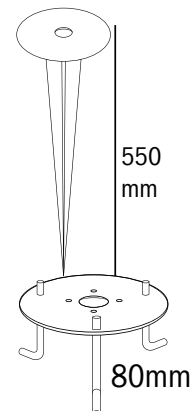
Plate For Soil: SPC104-----M--



Spike: SPB1-----M--



Plate For Concrete: SPC133-----M--



All spike plates come with 4 stainless steel screw-on stands.
 All ground plates come with 4 stainless steel screw-on stands.

