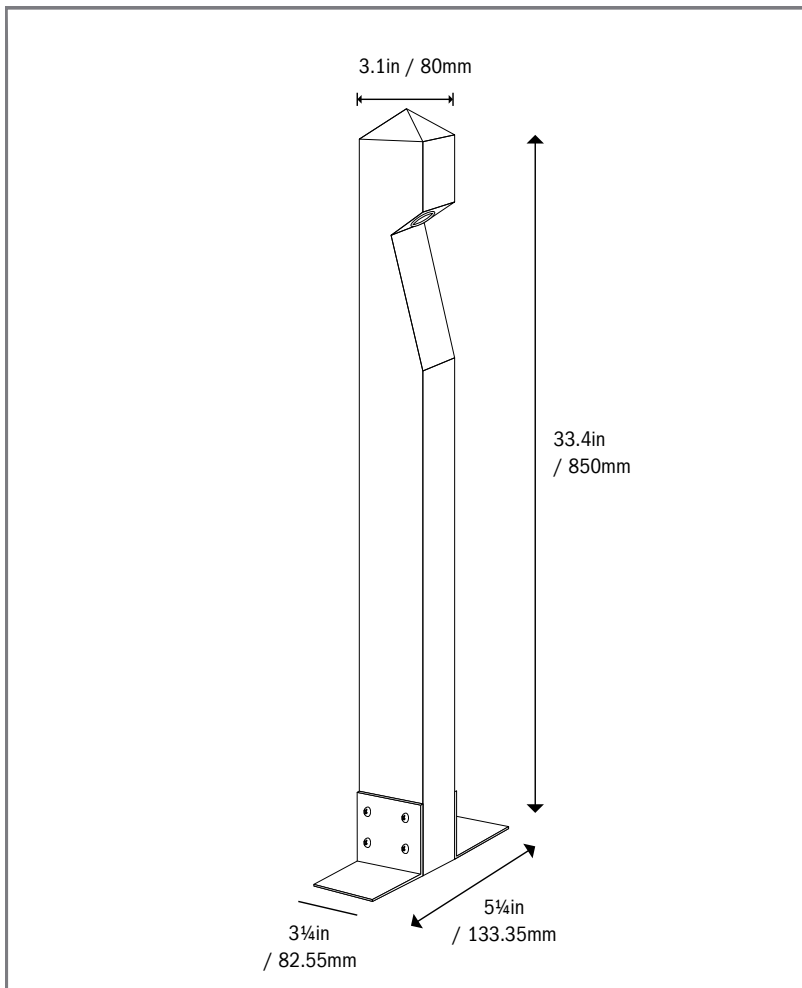




**BULLARD**  
BOLLARDS

# 12V TEAK WOOD BOLLARD 33,4" W2011-3---2W--



## PRODUCT CODE:

W2011-3---2W--

## MATERIAL:

Teak Wood

## POWER:

3W

## CCT:

3000K

## INPUT VOLTAGE:

12V AC/DC

## INTEGRATED LED:

YES

## IP RATING:

IP55

## DIMENSIONS:

With Plate: H: 33.4in (850mm) W: 5.25in (133.35mm)

## PRODUCT FEATURES:

Excellent For Hot & Cold Weather Applications  
No UV or IR Radiation

## ENVIRONMENTAL SPECIFICATIONS:

Operating Temperature: -20 °C ~ 45 °C  
Environmental Humidity: 0% ~ 95%