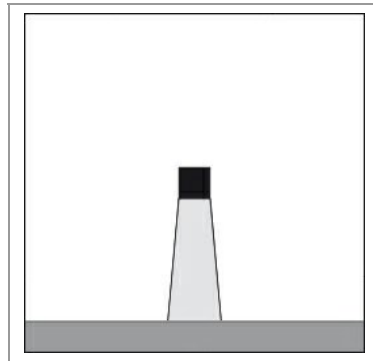
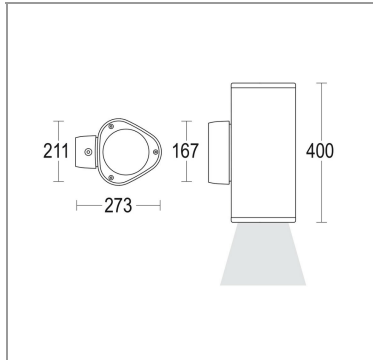




## ATIA 1 LIGHT 10° BEAM OUTDOOR WALL

### CONSTRUCTIVE & DIMENSIONAL:

Application field:	Facade, Columns, Walls, Covered entrances & walkways, Porch, balconies & terraces
Construction material:	Extruded aluminum EN AW-6063 T5 / die-casting aluminum EN-AB 44100
External screws:	Stainless steel A4-70 treated with highly antioxidant water-repellent lubricating solution
Length :	273mm(10,74")
Width :	167mm(6,57")
Height:	400mm(15,74")



### ELECTRICAL and LIGHTING SOURCE for MODEL: GH1952.CGST300EN 1952.CGS.T

Description:	1 x 26 W LED 3000 K CRI>90 2967 lm
Operating Power:	110-277 V / 50-60 Hz
Number of heads:	1
Number of circuits:	1
Driver positioning:	Integral
Control gear type:	Electronic
Cable entry:	Metal cable gland M16 Ø 5/10 mm
Emergency kit:	Not available
Light source:	LED
Power:	26W
LED voltage range:	31.2-36.8V
Current:	700 mA
ZVEI - Led Type:	COB
Color temperature:	3000 K
Binning:	Step MacAdam 3
Color rendering index:	CRI>90
Nominal LED emission:	2967 lm
Light source:	Included
Ambient temperature operating range:	- 20 °C ÷ +35 °C

### ELECTRICAL and LIGHTING SOURCE for MODEL: GH1952.CGST400EN 1952.CHS.T

Description:	1 x 26 W LED 4000 K CRI>90 3012 lm
Operating Power:	110-277 V / 50-60 Hz
Number of heads:	1
Number of circuits:	1
Driver positioning:	Integral
Control gear type:	Electronic
Cable entry:	Metal cable gland M16 Ø 5/10 mm
Emergency kit:	Not available
Light source:	LED
Power:	26W
LED voltage range:	31.2-36.8V
Current:	700 mA
ZVEI - Led Type:	COB
Color temperature:	4000 K
Binning:	Step MacAdam 3
Color rendering index:	CRI>90
Nominal LED emission:	3012 lm
Light source:	Included
Ambient temperature operating range:	- 20 °C ÷ +35 °C

### NOTE\*:

Next models are dimmable upon request: GH1952.CGST300EN 1952.CGS.T and GH1952.CGST400EN 1952.CHS.T

GH1952.CGST300EN  
1952.CGS.T

GH1952.CGST400EN  
1952.CHS.T

H(m)	φ(m)	Lux Medi
5	0.9	822
4	0.7	1284
3	0.5	2283
2	0.4	5137
1	0.2	20547

H(m)	φ(m)	Lux Medi
5	0.9	834
4	0.7	1304
3	0.5	2318
2	0.4	5215
1	0.2	20858

GH1952.ECST300EN  
1952.CDS.T

GH1952.ECST400EN  
1952.CES.T

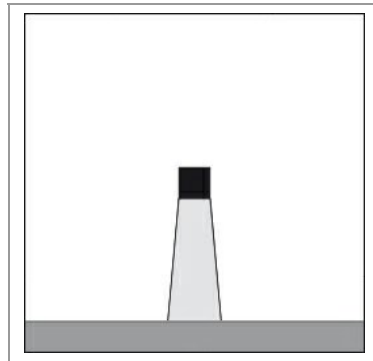
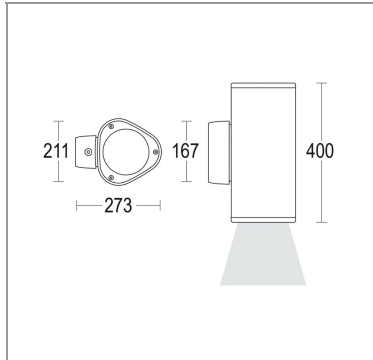
H(m)	φ(m)	Lux Medi
5	0.9	1183
4	0.7	1849
3	0.5	3286
2	0.4	7394
1	0.2	29577

H(m)	φ(m)	Lux Medi
5	0.9	1201
4	0.7	1877
3	0.5	3336
2	0.4	7507
1	0.2	30027





## ATIA 1 LIGHT 10° BEAM OUTDOOR WALL



GH1952.CGST300EN  
1952.CG.S.T

GH1952.CGST400EN  
1952.CH.S.T

H(m)	φ(m)	Lux Medi
5	0.9	822
4	0.7	1284
3	0.5	2283
2	0.4	5137
1	0.2	20547

H(m)	φ(m)	Lux Medi
5	0.9	834
4	0.7	1304
3	0.5	2318
2	0.4	5215
1	0.2	20858

GH1952.ECST300EN  
1952.CDS.T

GH1952.ECST400EN  
1952.CES.T

H(m)	φ(m)	Lux Medi
5	0.9	1183
4	0.7	1849
3	0.5	3286
2	0.4	7394
1	0.2	29577

H(m)	φ(m)	Lux Medi
5	0.9	1201
4	0.7	1877
3	0.5	3336
2	0.4	7507
1	0.2	30027

### ELECTRICAL and LIGHTING SOURCE for MODEL: GH1952.ECST300EN 1952.CDS.T

Description:	1 x 39 W LED 3000 K CRI>90 4271 lm
Operating Power:	110-277 V / 50-60 Hz
Number of heads:	1
Number of circuits:	1
Driver positioning:	Integral
Control gear type:	Electronic
Cable entry:	Metal cable gland M16 Ø 5/10 mm
Emergency kit:	Not available
Light source:	LED
Power:	39W
LED voltage range:	31.2-36.8V
Courrent:	1050 mA
ZVEI - Led Type:	COB
Color temperature:	3000 K
Binning:	Step MacAdam 3
Color rendering index:	CRI>90
Nominal LED emission:	4271 lm
Light source:	Included
Ambient temperature operating range:	- 20 °C ÷ +35 °C

### ELECTRICAL and LIGHTING SOURCE for MODEL: GH1952.ECST400EN 1952.CES.T

Description:	1 x 39 W LED 4000 K CRI>90 4336 lm
Operating Power:	110-277 V / 50-60 Hz
Number of heads:	1
Number of circuits:	1
Driver positioning:	Integral
Control gear type:	Electronic
Cable entry:	Metal cable gland M16 Ø 5/10 mm
Emergency kit:	Not available
Light source:	LED
Power:	39W
LED voltage range:	31.2-36.8V
Courrent:	900 mA
ZVEI - Led Type:	COB
Color temperature:	4000 K
Binning:	Step MacAdam 3
Color rendering index:	CRI>90
Nominal LED emission:	4336 lm
Light source:	Included
Ambient temperature operating range:	- 20 °C ÷ +35 °C

### OPTICAL:

Beam Type:	Wall-Effect 1 [0°-10°] extranarrow
Beam angle:	10°
Light distribution:	Symmetric
Beam directionability:	Swivelling
Swivel [°]:	+/- 10°
Diffuser material:	Soda-lime tempered glass 10mm
Diffuser finish:	Clear
Reflector material:	Alumnium with super pure aluminum high vaccum deposit 99.5%
Reflector finish:	Aluminum

### FINISH CODE:

.01 White (matt)	.05 Dark grey (matt)	.19 Light Grey
.45 Corten	.80 Sand	

### ACCESSORIES:



Elipsoidal lens  
Atia  
AC313