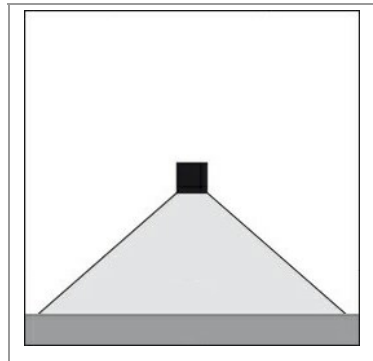
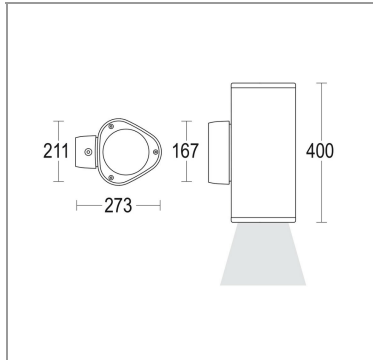




ATIA 1 LIGHT 71° BEAM OUTDOOR WALL

CONSTRUCTIVE & DIMENSIONAL:

Application field:	Facade, Columns, Walls, Covered entrances & walkways, Porch, balconies & terraces
Construction material:	Extruded aluminum EN AW-6063 T5 / die-casting aluminum EN-AB 44100
External screws:	Stainless steel A4-70 treated with highly antioxidant water-repellent lubricating solution
Length :	273mm(10,74")
Width :	167mm(6,57")
Height:	400mm(15,74")



GH1952.CGFT300EN
1952.CGF.T

GH1952.CGFT400EN
1952.CHF.T

H(m)	φ(m)	Lux Medi
5	7.3	29
4	5.8	45
3	4.4	79
2	2.9	178
1	1.5	714

H(m)	φ(m)	Lux Medi
5	7.3	29
4	5.8	45
3	4.4	81
2	2.9	181
1	1.5	725

GH1952.ECFT300EN
1952.CDF.T

GH1952.ECFT400EN
1952.CEF.T

H(m)	φ(m)	Lux Medi
5	7.3	41
4	5.8	64
3	4.4	114
2	2.9	257
1	1.5	1028

H(m)	φ(m)	Lux Medi
5	7.3	42
4	5.8	65
3	4.4	116
2	2.9	261
1	1.5	1043

ELECTRICAL and LIGHTING SOURCE for MODEL: GH1952.CGFT300EN 1952.CGF.T

Description:	1 x 26 W LED 3000 K CRI>90 2967 lm
Operating Power:	110-277 V / 50-60 Hz
Number of heads:	1
Number of circuits:	1
Driver positioning:	Integral
Control gear type:	Electronic
Cable entry:	Metal cable gland M16 Ø 5/10 mm
Emergency kit:	Not available
Light source:	LED
Power:	26W
LED voltage range:	31.2-36.8V
Current:	700 mA
ZVEI - Led Type:	COB
Color temperature:	3000 K
Binning:	Step MacAdam 3
Color rendering index:	CRI>90
Nominal LED emission:	2967 lm
Light source:	Included
Ambient temperature operating range:	- 20 °C ÷ +35 °C

ELECTRICAL and LIGHTING SOURCE for MODEL: GH1952.CGFT400EN 1952.CHF.T

Description:	1 x 26 W LED 4000 K CRI>90 3012 lm
Operating Power:	110-277 V / 50-60 Hz
Number of heads:	1
Number of circuits:	1
Driver positioning:	Integral
Control gear type:	Electronic
Cable entry:	Metal cable gland M16 Ø 5/10 mm
Emergency kit:	Not available
Light source:	LED
Power:	26W
LED voltage range:	31.2-36.8V
Current:	700 mA
ZVEI - Led Type:	COB
Color temperature:	4000 K
Binning:	Step MacAdam 3
Color rendering index:	CRI>90
Nominal LED emission:	3012 lm
Light source:	Included
Ambient temperature operating range:	- 20 °C ÷ +35 °C

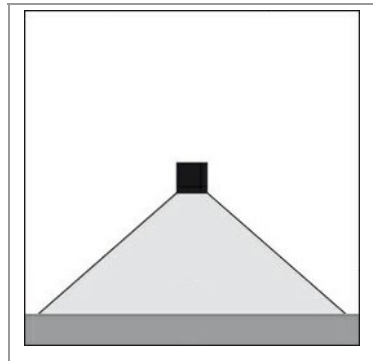
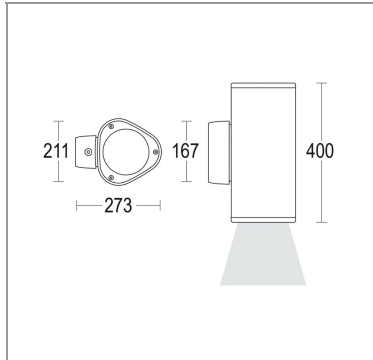
NOTE*:

Next models are dimmable upon request: GH1952.CGFT300EN 1952.CGF.T and GH1952.CGFT400EN 1952.CHF.T





ATIA 1 LIGHT 71° BEAM OUTDOOR WALL



GH1952.CGFT300EN
1952.CGF.T

GH1952.CGFT400EN
1952.CHF.T

H(m)	φ(m)	Lux Medi
5	7.3	29
4	5.8	45
3	4.4	79
2	2.9	178
1	1.5	714

H(m)	φ(m)	Lux Medi
5	7.3	29
4	5.8	45
3	4.4	81
2	2.9	181
1	1.5	725

GH1952.ECFT300EN
1952.CDF.T

GH1952.ECFT400EN
1952.CEF.T

H(m)	φ(m)	Lux Medi
5	7.3	41
4	5.8	64
3	4.4	114
2	2.9	257
1	1.5	1028

H(m)	φ(m)	Lux Medi
5	7.3	42
4	5.8	65
3	4.4	116
2	2.9	261
1	1.5	1043

ELECTRICAL and LIGHTING SOURCE for MODEL: GH1952.ECFT300EN 1952.CDF.T

Description:	1 x 39 W LED 3000 K CRI>90 4271 lm
Operating Power:	110-277 V / 50-60 Hz
Number of heads:	1
Number of circuits:	1
Driver positioning:	Integral
Control gear type:	Electronic
Cable entry:	Metal cable gland M16 Ø 5/10 mm
Emergency kit:	Not available
Light source:	LED
Power:	39W
LED voltage range:	31.2-36.8V
Courrent:	1050 mA
ZVEI - Led Type:	COB
Color temperature:	3000 K
Binning:	Step MacAdam 3
Color rendering index:	CRI>90
Nominal LED emission:	4271 lm
Light source:	Included
Ambient temperature operating range:	- 20 °C ÷ +35 °C

ELECTRICAL and LIGHTING SOURCE for MODEL: GH1952.ECFT400EN 1952.CEF.T

Description:	1 x 39 W LED 4000 K CRI>90 4336 lm
Operating Power:	110-277 V / 50-60 Hz
Number of heads:	1
Number of circuits:	1
Driver positioning:	Integral
Control gear type:	Electronic
Cable entry:	Metal cable gland M16 Ø 5/10 mm
Emergency kit:	Not available
Light source:	LED
Power:	39W
LED voltage range:	31.2-36.8V
Courrent:	900 mA
ZVEI - Led Type:	COB
Color temperature:	4000 K
Binning:	Step MacAdam 3
Color rendering index:	CRI>90
Nominal LED emission:	4336 lm
Light source:	Included
Ambient temperature operating range:	- 20 °C ÷ +35 °C

OPTICAL:

Beam Type:	Wall-Effect 1 [60°-120°] extra wide
Beam angle:	71°
Light distribution:	Symmetric
Beam directionability:	Swivelling
Swivel [°]:	+/- 10°
Diffuser material:	Soda-lime tempered glass 10mm
Diffuser finish:	Clear
Reflector material:	Aluminium with super pure aluminum high vacuum deposit 99.5%
Reflector finish:	Aluminum

FINISH CODE:

.01 White (matt)	.05 Dark grey (matt)	.19 Light Grey
.45 Corten	.80 Sand	

ACCESSORIES:



Elipsoidal lens
Atia
AC313