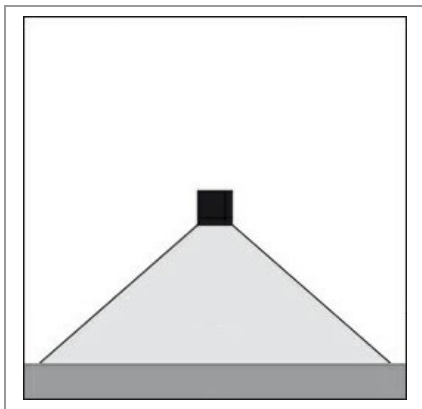
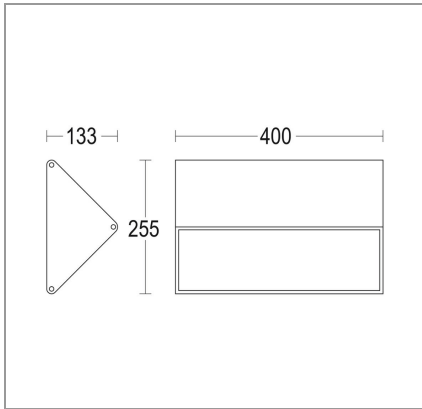




MAXIMIGNON OUTDOOR WALL



| H(m) | φ(m) | Lux Medi |
|------|------|-------------|
| 5 | 72.5 | 3 |
| 4 | 58.0 | 5 |
| 3 | 43.5 | 10 |
| 2 | 29.0 | 22 |
| 1 | 14.5 | 87 |



CONSTRUCTIVE & DIMENSIONAL:

| | |
|------------------------|---|
| Application field: | Porch, balconies & terraces, Passageways, Pathios, Covered entrances & walkways, Walkways and driveways |
| Construction material: | Extruded aluminum EN AW-6063 T5 / die-casting alluminum EN-AB 44100 |
| External screws: | Stainless steel A4-70 treated with highly antioxidant water-repellent lubricating solution |
| Width: | 400mm(15,74") |
| Height: | 255mm(10,03") |

ELECTRICAL and LIGHTING SOURCE for MODEL: GH1313.NLXO300EN 1313.MGX.A

| | |
|--------------------------------------|------------------------------------|
| Description: | 1 x 66 W LED 3000 K CRI>85 8532 lm |
| Operating Power: | 110-277 V / 50-60 Hz |
| Number of heads: | 1 |
| Number of circuits: | 1 |
| Driver positioning: | Integral |
| Control gear type: | Electronic |
| Cable entry: | Metal cable gland M16 Ø 5/10 mm |
| Emergency kit: | Not available |
| Light source: | LED |
| Power: | 66W |
| ZVEI - Led Type: | LED module |
| Color temperature: | 3000 K |
| Color rendering index: | CRI>85 |
| Nominal LED emission: | 8532 lm |
| Light source: | Included |
| Ambient temperature operating range: | - 20 °C ÷ +35 °C |

ELECTRICAL and LIGHTING SOURCE for MODEL: GH1313.NLXO400EN 1313.MHX.A

| | |
|--------------------------------------|------------------------------------|
| Description: | 1 x 66 W LED 4000 K CRI>85 9516 lm |
| Operating Power: | 110-277 V / 50-60 Hz |
| Number of heads: | 1 |
| Number of circuits: | 1 |
| Driver positioning: | Integral |
| Control gear type: | Electronic |
| Cable entry: | Metal cable gland M16 Ø 5/10 mm |
| Emergency kit: | Not available |
| Light source: | LED |
| Power: | 66W |
| ZVEI - Led Type: | LED module |
| Color temperature: | 4000 K |
| Color rendering index: | CRI>85 |
| Nominal LED emission: | 9516 lm |
| Light source: | Included |
| Ambient temperature operating range: | - 20 °C ÷ +35 °C |

OPTICAL:

| | |
|------------------------|---|
| Beam Type: | Wall-Effect 1 [60°-120°] extra wide |
| Light distribution: | Symmetric |
| Beam directionability: | Fixed |
| Diffuser material: | Soda-lime tempered glass 10mm |
| Diffuser finish: | Opal |
| Reflector material: | Aluminum with super pure aluminum high vacuum deposit 99.5% |
| Reflector finish: | Aluminum |

FINISH CODE:

| | |
|------------------------|------------------|
| ■ .05 Dark grey (matt) | ■ .19 Light Grey |
|------------------------|------------------|