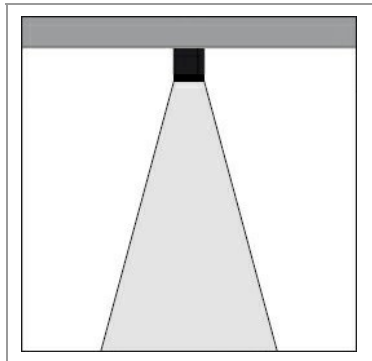
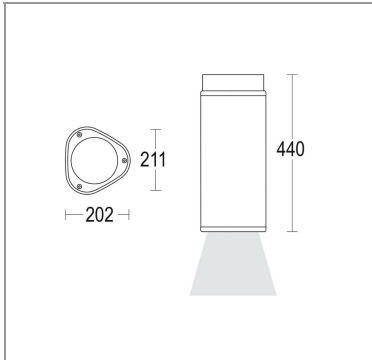






# BULLARD BOLLARDS



H(m)	$\phi$ (m)	Lux Medi
5	3.3	154
4	2.7	241
3	2.0	429
2	1.3	965
1	0.7	3859

