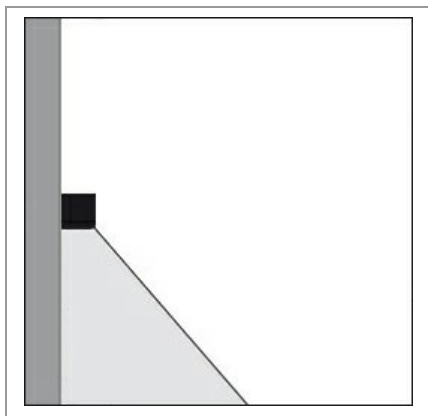
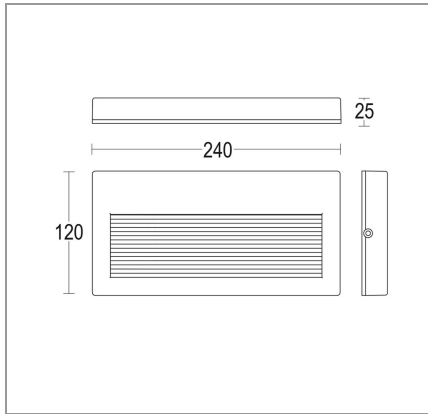




## LONGVERSO FLAT SQ 240x120



| H(m) | φ(m) | Lux<br>Medi |
|------|------|-------------|
| 5    | 0.0  | 0           |
| 4    | 0.0  | 0           |
| 3    | 0.0  | 0           |
| 2    | 0.0  | 0           |
| 1    | 0.0  | 0           |

### CONSTRUCTIVE & DIMENSIONAL:

|                        |  |
|------------------------|--|
| Application field:     | Stair steps, Passageways, Ramps, Walkways and driveways                                    |
| Construction material: | Die-cast aluminum EN AB 44100 highly resistant to oxidation                                |
| External screws:       | Stainless steel A4-70 treated with highly antioxidant water-repellent lubricating solution |
| Length:                | 240mm(9,44")   |
| Width:                 | 120mm(4,72")   |
| Height:                | 25mm(0,98")  |

### ELECTRICAL and LIGHTING SOURCE for MODEL: GH1138.CAXP300EN 1138.FUX.P

|                                      |                                     |
|--------------------------------------|-------------------------------------|
| Description:                         | 1 x 8.7 W LED 3000 K CRI>90 1101 lm |
| Operating Power:                     | 110-277 V / 50-60 Hz                |
| Number of heads:                     | 1                                   |
| Number of circuits:                  | 1                                   |
| Driver positioning:                  | Integral                            |
| Control gear type:                   | Electronic                          |
| Cable entry:                         | Silicone bushing Ø 10/14 mm         |
| Emergency kit:                       | Not available                       |
| Light source:                        | LED                                 |
| Power:                               | 8.7 W                               |
| LED voltage range:                   | 6V                                  |
| Current:                             | 500 mA                              |
| ZVEI - Led Type:                     | LED                                 |
| Color temperature:                   | 3000 K                              |
| Binning:                             | Step MacAdam 3                      |
| Color rendering index:               | CRI>90                              |
| Nominal LED emission:                | 1101 lm                             |
| Light source:                        | Included                            |
| Ambient temperature operating range: | - 20 °C ÷ +35 °C                    |

### ELECTRICAL and LIGHTING SOURCE for MODEL: GH1138.CAXP400EN 1138.FVX.P

|                                      |                                     |
|--------------------------------------|-------------------------------------|
| Description:                         | 1 x 8.7 W LED 4000 K CRI>90 1167 lm |
| Operating Power:                     | 110-277 V / 50-60 Hz                |
| Number of heads:                     | 1                                   |
| Number of circuits:                  | 1                                   |
| Driver positioning:                  | Integral                            |
| Control gear type:                   | Electronic                          |
| Cable entry:                         | Silicone bushing Ø 10/14 mm         |
| Emergency kit:                       | Not available                       |
| Light source:                        | LED                                 |
| Power:                               | 8.7 W                               |
| LED voltage range:                   | 6V                                  |
| Current:                             | 500 mA                              |
| ZVEI - Led Type:                     | LED                                 |
| Color temperature:                   | 4000 K                              |
| Binning:                             | Step MacAdam 3                      |
| Color rendering index:               | CRI>90                              |
| Nominal LED emission:                | 1167 lm                             |
| Light source:                        | Included                            |
| Ambient temperature operating range: | - 20 °C ÷ +35 °C                    |

### OPTICAL:

|                        |                              |
|------------------------|------------------------------|
| Beam Type:             | Wall asymmetric downlight    |
| Light distribution:    | Asymmetric                   |
| Beam directionability: | Fixed                        |
| Diffuser material:     | Soda-lime tempered glass 3mm |
| Diffuser finish:       | Micro-prism                  |
| Diffuser temperature:  | < 30 °C / 86 °F              |

### FINISH CODE:

|                        |                  |
|------------------------|------------------|
| ■ .05 Dark grey (matt) | ■ .19 Light Grey |
|------------------------|------------------|

### NOTE:

All models not dimmable

