

Mantra TREE



MODEL:

Code	MAT1H1
Product family	Outdoor light
Type	Tree light

TECHNICAL DETAILS:

LED	2200 K, 2700 K and 3000 K
Class	III
Power	7 W
Luminous flux	700 lm
Optics	120°
Resistance to breakage	IK 08
Protection degree	IP 65
Weight	1,5 KG
Electrical connection	110-277 V



IP 65

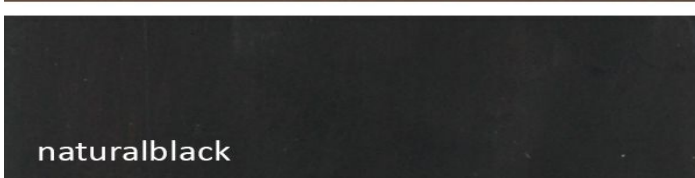
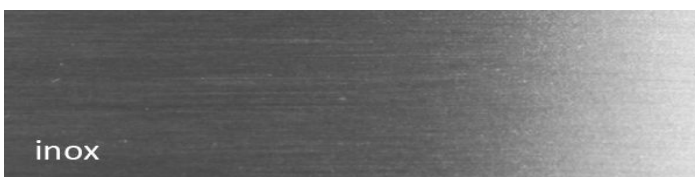
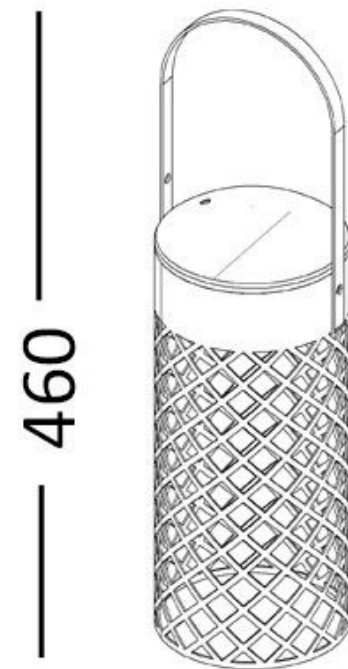
IK 08

DIMENSIONS:

Diameter	Ø 130 mm
Height	460mm

PRODUCT'S DESCRIPTION:

Body completely made of stainless steel AISI 316
Opal diffuser
Fixing to the tree with bracket
Supplied with 5 mt cable H05RNF
It respects the laws against lighting pollution
Driver 24V not included



COLORS:

Inox	IN
Browntech	BT
Natural black	NB