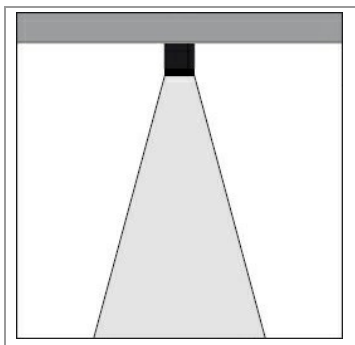
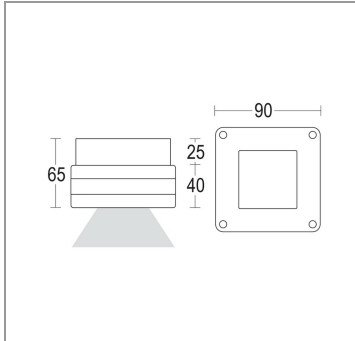




MICROTORRE FLAT CEILING 90



GH1208.LVFT400EN
1208.ALF.T

GH1208.LVFT300EN
1208.AHF.T

H(m)	φ(m)	Lux Medi
5	2.6	36
4	2.1	56
3	1.6	99
2	1.0	223
1	0.5	890

H(m)	φ(m)	Lux Medi
5	2.6	34
4	2.1	52
3	1.6	93
2	1.0	210
1	0.5	839

CONSTRUCTIVE & DIMENSIONAL:

Application field:	Covered entrances & walkways, Porch, balconies & terraces
Construction material:	Extruded aluminum EN AW-6063 T5 - EN-AB 44100
External screws:	Stainless steel A4-70 treated with highly antioxidant water-repellent lubricating solution
Length:	90mm(3,54")
Width:	90mm(3,54")
Height:	63mm(2,48")

ELECTRICAL and LIGHTING SOURCE for MODEL: GH1208.LVFT400EN 1208.ALF.T

Description:	1 x 8 W LED 4000 K CRI>85 690 lm
Operating Power:	110-277 V / 50-60 Hz
Number of heads:	1
Driver positioning:	Integral
Control gear type:	Electronic
Cable entry:	IP67 cable gland
Emergency kit:	Not available
Light source:	LED
Power:	8W
ZVEI - Led Type:	DOB
Color temperature:	4000 K
Color rendering index:	CRI>85
Nominal LED emission:	690 lm
Light source:	Included
Ambient temperature operating range:	- 20 °C ÷ +35 °C

ELECTRICAL and LIGHTING SOURCE for MODEL: GH1208.LVFT300EN 1208.AHF.T

Description:	1 x 8 W LED 3000 K CRI>85 650 lm
Operating Power:	110-277 V / 50-60 Hz
Number of heads:	1
Driver positioning:	Integral
Control gear type:	Electronic
Cable entry:	IP67 cable gland
Emergency kit:	Not available
Light source:	LED
Power:	8W
ZVEI - Led Type:	DOB
Color temperature:	3000 K
Color rendering index:	CRI>85
Nominal LED emission:	650 lm
Light source:	Included
Ambient temperature operating range:	- 20 °C ÷ +35 °C

OPTICAL:

Beam Type:	Ceiling downlight [21°-40°] medium
Beam angle:	29°
Light distribution:	Symmetric
Beam directionability:	Fixed
Diffuser material:	Soda-lime tempered glass 4mm
Diffuser finish:	Clear
Reflector material:	PMMA lens

FINISH CODE:

.05 Dark grey (matt)	.19 Light Grey
----------------------	----------------

ACCESSORIES:

—68—



IP 68 fast
connector Small
AC204