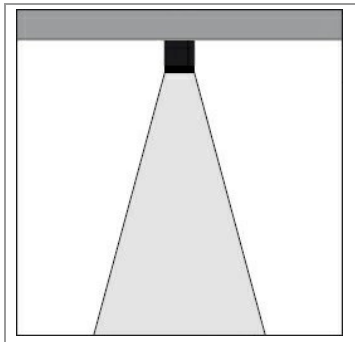
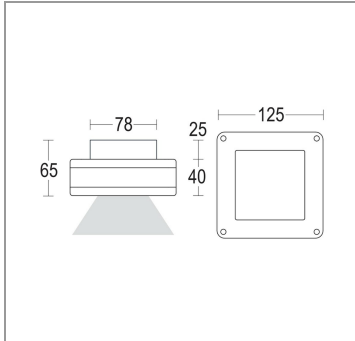




MINITORRE FLAT CEILING 125



GH1209.FAFT400EN
1209.GVF.T

GH1209.FAFT300EN
1209.GZF.T

H(m)	φ(m)	Lux Medi
5	3.8	30
4	3.0	46
3	2.3	83
2	1.5	186
1	0.8	744

H(m)	φ(m)	Lux Medi
5	3.8	28
4	3.0	44
3	2.3	78
2	1.5	176
1	0.8	704

CONSTRUCTIVE & DIMENSIONAL:

Application field:	Covered entrances & walkways, Porch, balconies & terraces
Construction material:	Extruded aluminum EN AW-6063 T5 - EN-AB 44100
External screws:	Stainless steel A4-70 treated with highly antioxidant water-repellent lubricating solution
Length:	125mm(4,92")
Width:	125mm(4,92")
Height:	64mm(2,51")

ELECTRICAL and LIGHTING SOURCE for MODEL: GH1209.FAFT400EN 1209.GVF.T

Description:	1 x 15 W LED 4000 K CRI>85 1425 lm
Operating Power:	110-277 V / 50-60 Hz
Number of heads:	1
Driver positioning:	Integral
Control gear type:	Electronic
Cable entry:	IP67 cable gland
Emergency kit:	Not available
Light source:	LED
Power:	15 W
ZVEI - Led Type:	DOB
Color temperature:	4000 K
Color rendering index:	CRI>85
Nominal LED emission:	1425 lm
Light source:	Included
Ambient temperature operating range:	- 20 °C ÷ +35 °C

ELECTRICAL and LIGHTING SOURCE for MODEL: GH1209.FAFT300EN 1209.GZF.T

Description:	1 x 15 W LED 3000 K CRI>85 1350 lm
Operating Power:	110-277 V / 50-60 Hz
Number of heads:	1
Driver positioning:	Integral
Control gear type:	Electronic
Cable entry:	IP67 cable gland
Emergency kit:	Not available
Light source:	LED
Power:	15W
ZVEI - Led Type:	DOB
Color temperature:	3000 K
Color rendering index:	CRI>85
Nominal LED emission:	1350 lm
Light source:	Included
Ambient temperature operating range:	- 20 °C ÷ +35 °C

OPTICAL:

Beam Type:	Ceiling downlight [41°-60°] wide
Beam angle:	42°
Light distribution:	Symmetric
Beam directionability:	Fixed
Diffuser material:	Soda-lime tempered glass 4mm
Diffuser finish:	Clear
Reflector material:	PMMA lens

FINISH CODE:

.05 Dark grey (matt)	.19 Light Grey
----------------------	----------------

ACCESSORIES:

—68—



IP 68 fast
connector Small
AC204