



BODY(AA):

- B11 Steel
- B12 Ceramic Composite

CODE:

303

BEAM TYPE(BB):

- R36 Emission 360°
- R18 Emission 180°

LIGHT SOURCES(FF):

- F30 1 x LED 120V 7W 3000K 80+ CRI
- F40 1 x LED 120V 12W 4000K 80+ CRI

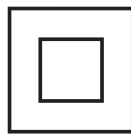
POWER SUPPLY:

Integral LED driver and Module

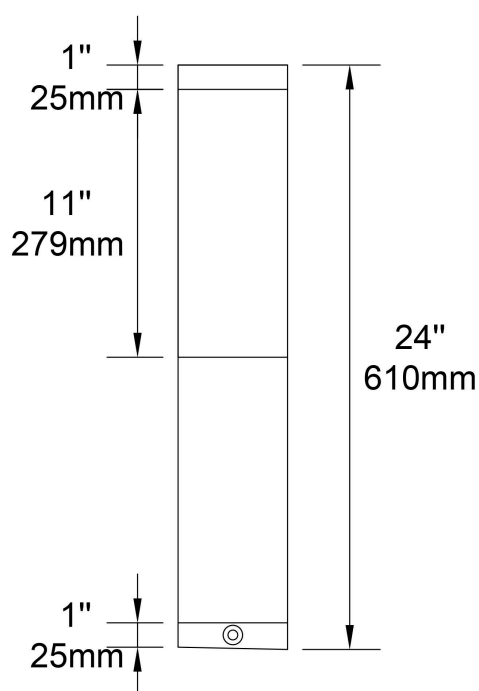
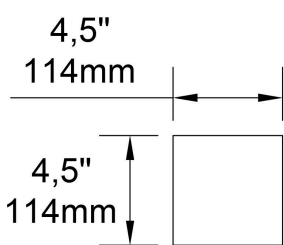
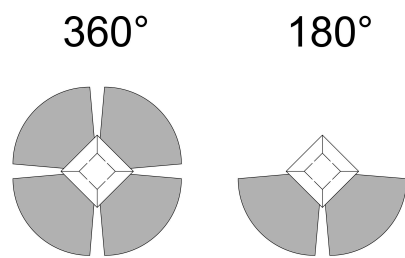
INSTALLATION:

Direct screw down to pour concrete by installer.

GENERAL INFORMATION:



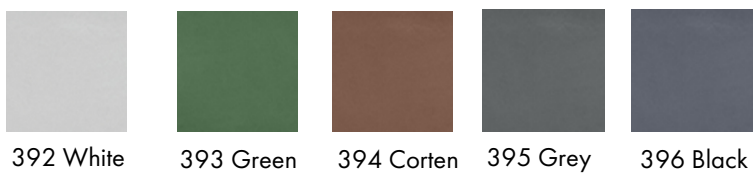
IP65



COLOUR IDENTIFICATION TO BE ADDED TO THE CODE(CC)

- 11 Outdoor UV protected Powder Coated
- 12 Custom RAL

Stainless powder coated standard colors:



DIMENSIONS:

Height: 24"
Width: 4,5"
Custom sizes upon request