



RIGA BOLLARD

BODY:

Galvanic steel with an outdoor powder coat/ or fabricated outdoor alloy aluminum with outdoor powder coat. Outdoor rated PMMA lense.

LIGHT SOURCES:

MID POWER LED module, 8W and 14W. Available in the NW (Neutral White, 4000K) and WW (Warm White, 3000K) versions.

POWER SUPPLY:

Integrated electronic control gear.

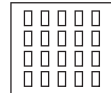
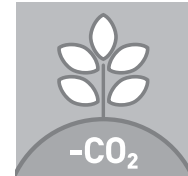
ACCESSORIES:

Mounting base with anchor bolts, spike for installation on ground.

GENERAL INFORMATION:



IP65



MID POWER LED



Diffuse light

RIGA 650/855

Light source	Wattage	mm (H)	kg	Code
LED	8W	650	3,00	76850.__ NW / WW
	14W	855	3,90	76851.__ NW / WW
	varies	CUSTOM	CUSTOM	CUS.__ NW / WW

110-277V / 50-60Hz

Integrated electronic control gear

Low voltage upon request

Dimmable upon request

NW (Neutral White): CRI >80 / lm 690 (8W) - 1200 (14W) / K 4000

WW (Warm White): CRI >80 / lm 660 (8W) - 1150 (14W) / K 3000

Luminaire equipped with a pre-assembled power cable (L=2m).

COLOUR IDENTIFICATION TO BE ADDED TO THE CODE:



68
Grey



86
Anthracite
grey

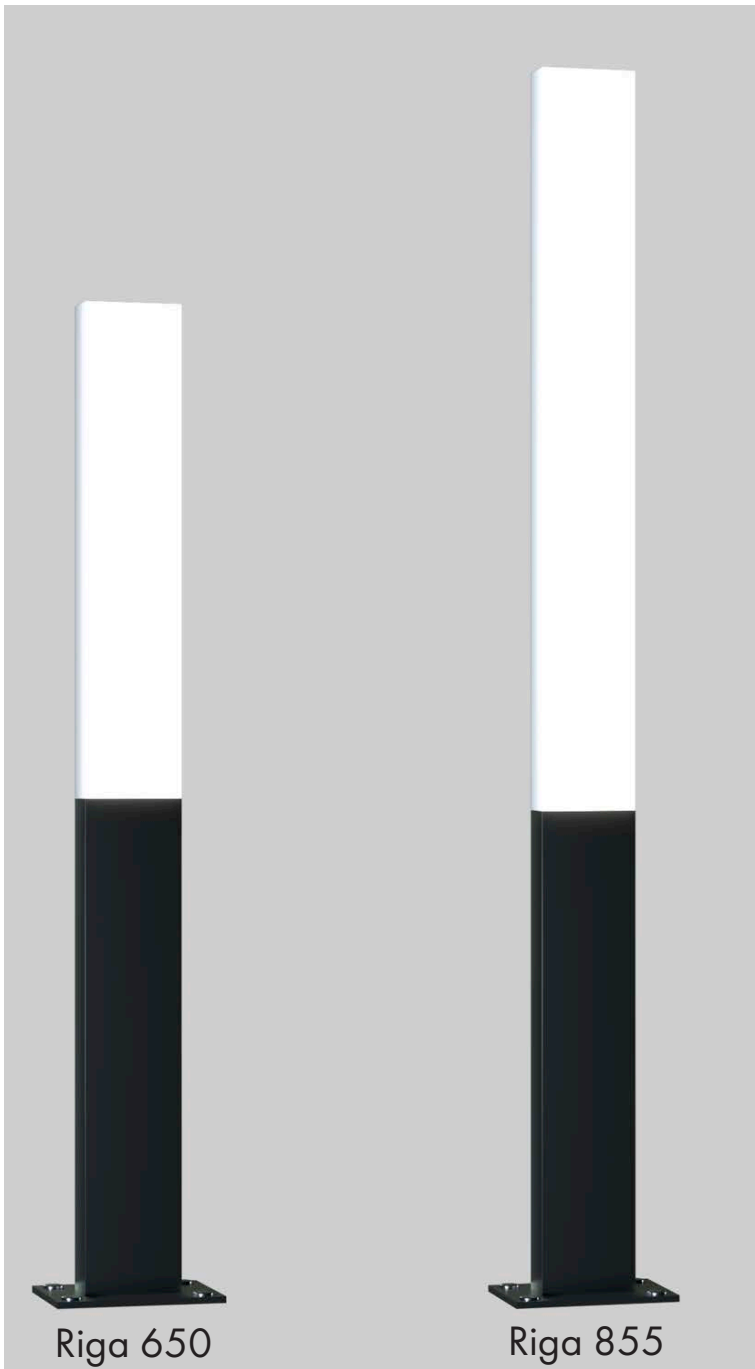
ACCESSORIES:



Spike for ground
code **76843.00**

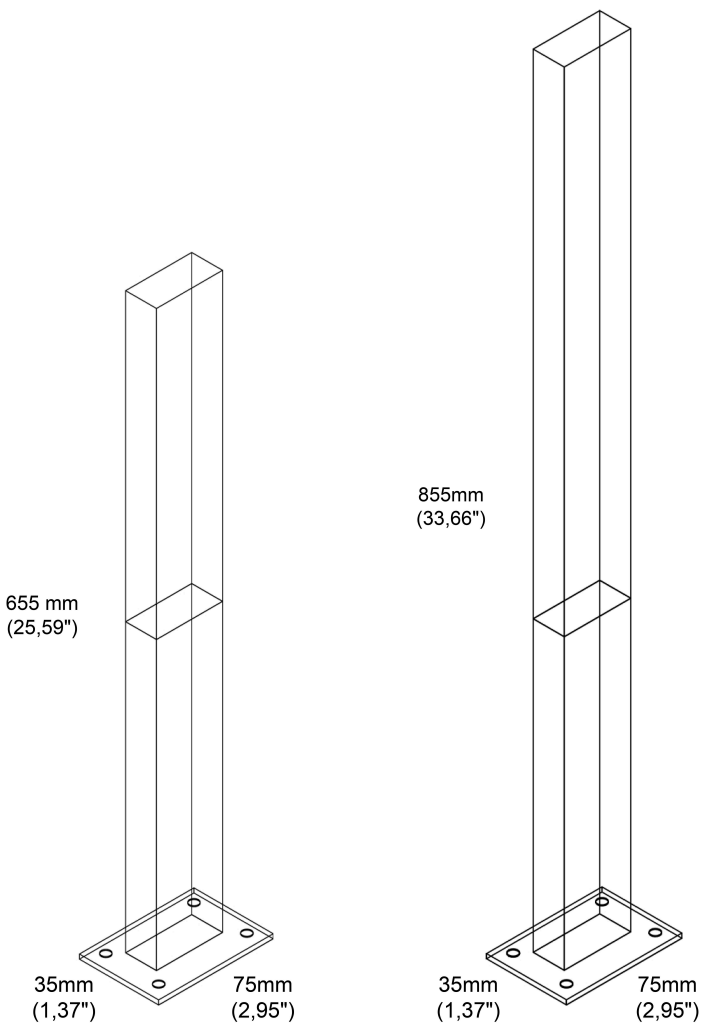


Base for mounting
with anchor bolts
code **76844.__**



Riga 650

Riga 855



655 mm
(25,59")

855mm
(33,66")

35mm
(1,37")

75mm
(2,95")

35mm
(1,37")

75mm
(2,95")