

CONSTRUCTIVE & DIMENSIONAL:

Construction material:	Extruded aluminum EN AW-6060 T5 high resistance to oxidation
External screws:	Stainless steel A4-70 treated with highly antioxidant water-repellent lubricating solution
Diameter:	80mm(3,14")
Height:	600mm(23,62")

ELECTRICAL FOR MODEL:

GH0982.AHXO300EN

Description:	1 x 5.7 W LED 3000 K CRI>90 1 x 402 lm
Luminaire efficiency [lm/W]	9.51
Fixture consumption	6.71 W
Operation Range	110-277 V - 50/60 Hz
Number of heads	1
Number of circuits	1
Driver positioning	Integral
Control gear type	Electronic
Dimmer type	Dimmable upon request
Cable entry	Nylon cable gland M16 Γ 5/10 mm
Daisy chain wiring	External to the luminaire with IP68 connector available as an accessory
Cable type	H05RN-F 2x1mm ²
Cord length [m]	0.5
Water-Lock system	Included
Ambient temperature operating range°C	-20 B°C Γ +35 B°C

ELECTRICAL FOR MODEL:

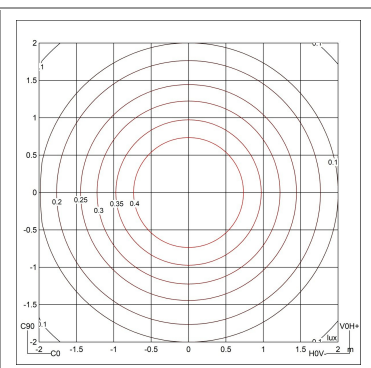
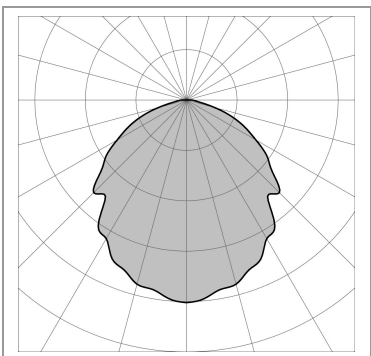
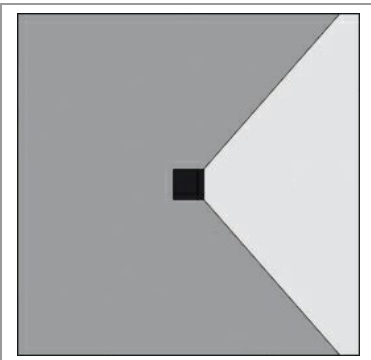
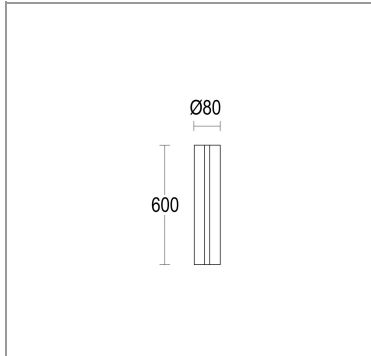
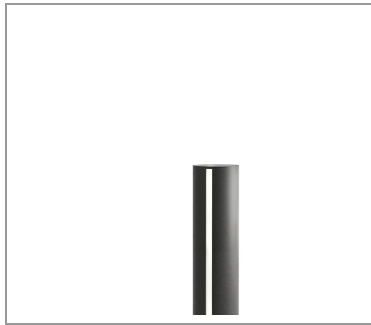
GH0982.AHXO400EN

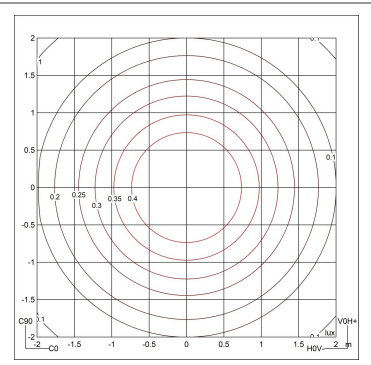
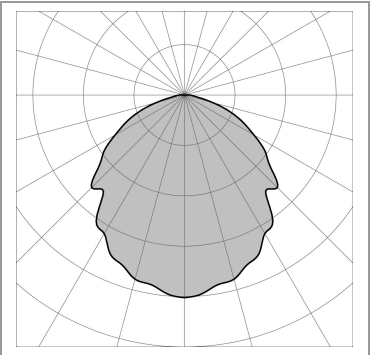
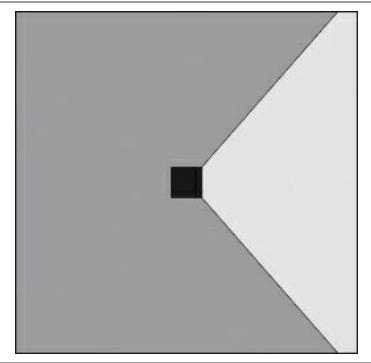
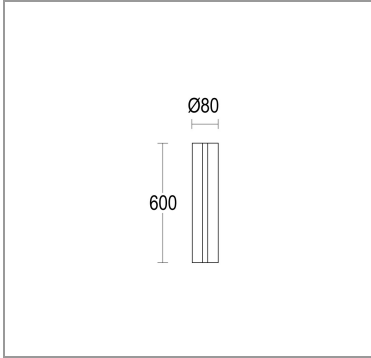
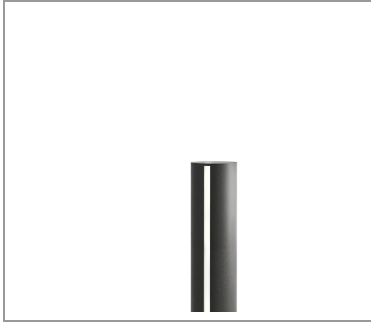
Description:	1 x 5.7 W LED 4000 K CRI>90 1 x 402 lm
Luminaire efficiency [lm/W]	9.51
Fixture consumption	6.71 W
Operation Range	110-277 V - 50/60 Hz
Number of heads	1
Number of circuits	1
Driver positioning	Integral
Control gear type	Electronic
Dimmer type	Dimmable upon request
Cable entry	Nylon cable gland M16 Γ 5/10 mm
Daisy chain wiring	External to the luminaire with IP68 connector available as an accessory
Cable type	H05RN-F 2x1mm ²
Cord length [m]	0.5
Water-Lock system	Included
Ambient temperature operating range°C	-20 B°C Γ +35 B°C

ELECTRICAL FOR MODEL:

GH0982.AHXO300EL

Description:	1 x 5.7 W LED 3000 K CRI>90 1 x 402 lm
Luminaire efficiency [lm/W]	9.51
Fixture consumption	6.71 W
Operation Range	24 V DC
Number of heads	1
Number of circuits	1
Control gear	24 V DC included
Driver positioning	Remote
Control gear type	Electronic
Dimmer type	Dimmable based on driver used
Cable entry	Nylon cable gland M12 Ø 3,5/7 mm
Daisy chain wiring	External to the luminaire with IP68 connector available as an accessory
Cable type	FR5FOEM7-AD8 2x0.5mm ²
Cord length [m]	0.5
Water-Lock system	Included
Ambient temperature operating range°C	-20 B°C Γ +35 B°C





ELECTRICAL FOR MODEL:

GH0982.AHXO400EL

Description:	1 x 5.7 W LED 4000 K CRI>90 1 x 402 lm
Luminaire efficiency [lm/W]	9.51
Fixture consumption	6.71 W
Operation Range	24 V DC
Number of heads	1
Number of circuits	1
Control gear	24 V DC included
Driver positioning	Remote
Control gear type	Electronic
Dimmer type	Dimmable based on driver used
Cable entry	Nylon cable gland M12 Ø 3,5/7 mm
Daisy chain wiring	External to the luminaire with IP68 connector available as an accessory
Cable type	FR5FOEM7-AD8 2x0.5mm2
Cord length [m]	0.5
Water-Lock system	Included
Ambient temperature operating range°C	-20 B°C Γ +35 B°C

OPTICAL:

Beam angle [°]	107°
Light distribution	Other
Diffuser material	Silicone
Diffuser finish	Opal

LIGHTING SOURCE:

Light source:	LED
Light source [W]	5.7 W
Nominal LED emission [lm]	402 lm
Color temperature	3000K for GH0982.AHXO300EN / GH0982.AHXO300EL 4000K for GH0982.AHXO400EN / GH0982.AHXO400EL
Color rendering index	CRI>90
Binning	Step MacAdam 3
LED voltage range [V]	24V CV
Luminaire emission [lm]	1 x 64
LED / Bulb	Included

FINISH CODE:

- .05 Dark Grey (matt)
- .19 Light Grey

FINISH CODE:

- .01 White (matt)
- .02 Black (matt)
- .45 Corten
- .80 Sand

ACCESSORIES for: GH0980.BAXO300EN / GH0980.BAXO400EN



IP 68 connector for through wiring AC279



IP 68 fast connector AC204



plated steel anchorage Segmento AC571

ACCESSORIES for: GH0980.BAXO300EL / GH0980.BAXO400EL



Driver LED IP20 24V DC 16W AC184.0024016SN-20



IP 68 connector for through wiring AC279



IP66 remote power supply box AC205-IP66



IP 68 fast connector AC204



Driver LED IP67 24V DC 14W AC146.0024014FN-67



Driver LED IP20 24V DC 16W DALI AC052.0024016SD-20



IP55 remote power supply box AC205-IP55



plated steel anchorage Segmento AC571

