

CONSTRUCTIVE & DIMENSIONAL:

Application field:	Series of spot lights to be mounted on floor, wall, spike, tree with belt system or on a pole system.
Construction material:	Stainless steel AISI 316L, Extruded aluminum EN AW-6060 T5 high resistance to oxidation
External screws:	Extruded aluminum EN AW-6060 T5 high resistance to oxidation
Diameter:	65mm(2,55")

ELECTRICAL FOR MODEL:

GH0922.BGST300EC

Description:	1 x 3.2 W LED 3000 K CRI>90 1 x 277 lm
Luminaire efficiency: [lm/W]	47.25
Fixture consumption:	4.27 W
Operation Range:	1050 mA
Number of heads:	1
Number of circuits:	1
Driver positioning:	Remote
Control gear:	1050 mA not included
Dimmer type:	Dimmable based on driver used
Cable entry:	Brass cable gland M12 Ø 3.5/7 mm
Daisy chain wiring:	External to the luminaire with IP68 connector available as an accessory
Cable type:	FR5FOEM7-AD8 2x0.5mm2
Cord length [m]:	0.5
Water-Lock system:	Not available
Ambient temperature operating range [°C]:	-20 °C ÷ +35 °C

ELECTRICAL FOR MODEL:

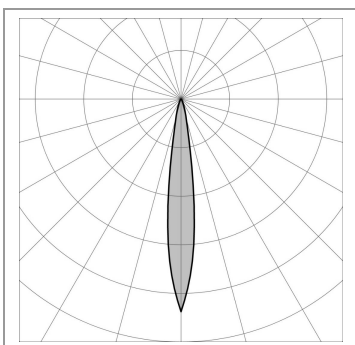
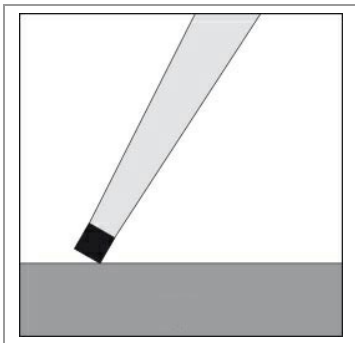
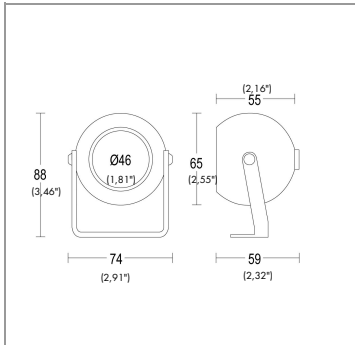
GH0922.BAST300EL

Description:	1 x 2.1 W LED 3000 K CRI>90 1 x 196 lm
Luminaire efficiency: [lm/W]	50.95
Fixture consumption:	2.8 W
Operation Range:	24 V DC
Number of heads:	1
Number of circuits:	1
Driver positioning:	Remote
Control gear type:	24 V DC not included
Dimmer type:	Dimmable based on driver used
Cable entry:	Brass cable gland M12 Ø 3.5/7 mm
Daisy chain wiring:	External to the luminaire with IP68 connector available as an accessory
Cable type:	FR5FOEM7-AD8 2x0.5mm2
Cord length [m]:	0.5
Water-Lock system:	Not available
Ambient temperature operating range [°C]:	-20 °C ÷ +35 °C

ELECTRICAL FOR MODEL:

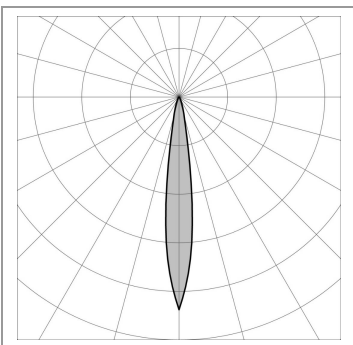
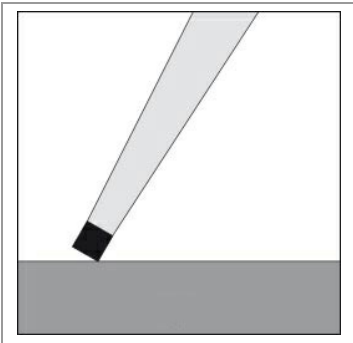
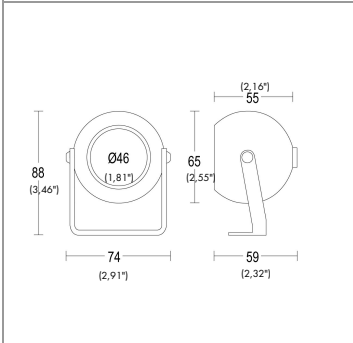
GH0922.BGST400EC

Description:	1 x 3.2 W LED 4000 K CRI>90 1 x 307 lm
Luminaire efficiency: [lm/W]	52.37
Fixture consumption:	4.27 W
Operation Range:	1050 mA
Number of heads:	1
Number of circuits:	1
Driver positioning:	Remote
Control gear type:	1050 mA not included
Dimmer type:	Dimmable based on driver used
Cable entry:	Brass cable gland M12 Ø 3.5/7 mm
Daisy chain wiring:	External to the luminaire with IP68 connector available as an accessory
Cable type:	FR5FOEM7-AD8 2x0.5mm2
Cord length [m]:	0.5
Water-Lock system:	Not available
Ambient temperature operating range [°C]:	-20 °C ÷ +35 °C



H(m)	φ(m)	lux med. 3000 K	lux max. 3000 K
5	1.2	45	73
4	1.0	71	114
3	0.7	126	202
2	0.5	284	455
1	0.2	1137	1818





H(m)	φ(m)	lux med. 3000 K	lux max. 3000 K
5	1.2	45	73
4	1.0	71	114
3	0.7	126	202
2	0.5	284	455
1	0.2	1137	1818

ELECTRICAL FOR MODEL:
GH0922.BAST400EL

Description:	1 x 2.1 W LED 4000 K CRI>90 1 x 218 lm
Luminaire efficiency: [lm/W]	56.66
Fixture consumption:	2.8 W
Operation Range:	24 V DC
Number of heads:	1
Number of circuits:	1
Driver positioning:	Remote
Control gear:	24 V DC not included
Dimmer type:	Dimmable based on driver used
Cable entry:	Brass cable gland M12 Ø 3.5/7 mm External to the luminaire with IP68 connector available as an accessory
Daisy chain wiring:	
Cable type:	FR5FOEM7-AD8 2x0.5mm2
Cord length [m]:	0.5
Water-Lock system:	Not available
Ambient temperature operating range [°C]:	-20 °C ÷ +35 °C

LIGHTING SOURCE FOR:
GH0922.BGST300EC

Light source:	LED
Type of bulb or LED:	LED module
Light source [W]:	3.2 W
Nominal LED emission [Lm]:	277 lm
Color temperature:	3000 K
Color rendering index:	CRI>90
Binning:	Step MacAdam 3
LED voltage range [V]:	3V
Current:	1050 mA
Luminaire emission [lm]:	1 x 202
LED / Bulb:	Included

LIGHTING SOURCE FOR:
GH0922.BAST300EL

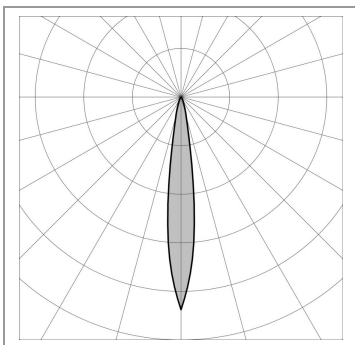
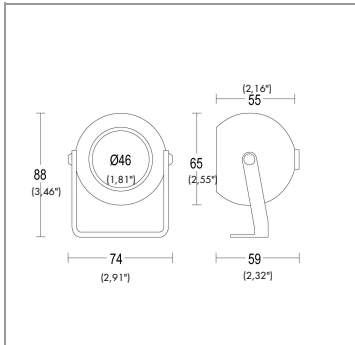
Light source:	LED
Type of bulb or LED:	LED module
Light source [W]:	2.1 W
Nominal LED emission [Lm]:	196 lm
Color temperature:	3000 K
Color rendering index:	CRI>90
Binning:	Step MacAdam 3
LED voltage range [V]:	3V
Current:	700 mA
Luminaire emission [lm]:	1 x 143
LED / Bulb:	Included
Maximum projection distance [m]	2.8m

LIGHTING SOURCE FOR:
GH0922.BGST400EC

Light source:	LED
Type of bulb or LED:	LED module
Light source [W]:	3.2 W
Nominal LED emission [Lm]:	307 lm
Color temperature:	4000 K
Color rendering index:	CRI>90
Binning:	Step MacAdam 3
LED voltage range [V]:	18V
Current:	1050 mA
Luminaire emission [lm]:	1 x 223
LED / Bulb:	Included

LIGHTING SOURCE FOR:
GH0922.BAST400EL

Light source:	LED
Type of bulb or LED:	LED module
Light source [W]:	2.1 W
Nominal LED emission [Lm]:	218 lm
Color temperature:	4000 K
Color rendering index:	CRI>90
Binning:	Step MacAdam 3
LED voltage range [V]:	3V
Current:	700 mA
Luminaire emission [lm]:	1 x 159
LED / Bulb:	Included
Maximum projection distance [m]	2.8m



H(m)	φ(m)	lux med. 3000 K	lux max. 3000 K
5	1.2	45	73
4	1.0	71	114
3	0.7	126	202
2	0.5	284	455
1	0.2	1137	1818

OPTICAL:

Beam angle [°]	25°
Light distribution	Symmetrical medium flood (15° - 45°)
Beam directionability	Adjustable
Diffuser material	Sodium-calcium tempered glass 4mm
Swivel [°]	+/- 90°T
Diffuser finish	Transparent - extra clear
Optics	Reflector in anti-UV technopolymer with super pure aluminum metallization

FINISH CODE:

Standard Colors

- .05 Dark Grey (matt)
- .19 Light Grey

Up-On Request Colors

- .01 White (matt)
- .02 Black (matt)
- .26 Luxury Bronze
- .45 Corten
- .62 Antique Grey
- .65 Blue
- .80 Sand
- .83 Green

ACCESSORIES: for model GH0922.BGST300EC and GH0922.BGST400EC



IP66 remote power supply box
AC205-IP66



Driver LED IP20
1050mA 42W
AC087.1050042SN-20



Stake 170mm
AC203



IP 68 fast connector
AC204



Driver LED IP67
1050mA 14W
AC085.1050014FN-67

ACCESSORIES: for model GH0922.BAST300EL and GH0922.BAST400EL



Driver LED IP20 24V DC
16W
AC184.0024016SN-20



IP66 remote power supply box
AC205-IP66



IP 68 fast connector
AC204



Power Hub 6 x 24V Dim
AC9000.CDXXXXXED



Power Hub 6 x 24V noDim
AC9000.CDXXXXXEN



Stake 170mm
AC203



Driver LED IP67 24V DC
14W
AC146.0024014FN-67