

H(m)	φ(m)	lux med. 3000 K	lux max. 3000 K
5	2.3	61	97
4	1.8	96	151
3	1.4	170	269
2	0.9	383	606
1	0.5	1532	2423

CONSTRUCTIVE & DIMENSIONAL:

Application field:	Series of spot lights to be mounted on floor, wall, spike, tree with belt system or on a pole system.
Construction material:	Stainless steel AISI 316L, Extruded aluminum EN AW-6060 T5 high resistance to oxidation
External screws:	Extruded aluminum EN AW-6060 T5 high resistance to oxidation
Diameter:	65mm(2,55")

ELECTRICAL FOR MODEL:

GH0922.AHMT300EC

Description:	1 x 6 W LED 3000 K CRI>90 1 x 845 lm
Luminaire efficiency: [lm/W]	105.3
Fixture consumption:	7.06 W
Operation Range:	350 mA
Number of heads:	1
Number of circuits:	1
Driver positioning:	Remote
Control gear:	350 mA not included
Dimmer type:	Dimmable based on driver used
Cable entry:	Brass cable gland M12 Ø 3.5/7 mm
Daisy chain wiring:	External to the luminaire with IP68 connector available as an accessory
Cable type:	FR5FOEM7-AD8 2x0.5mm2
Cord length [m]:	0.5
Water-Lock system:	Not available
Ambient temperature operating range [°C]:	-20 °C ÷ +35 °C

ELECTRICAL FOR MODEL:

GH0922.AHMT300EL

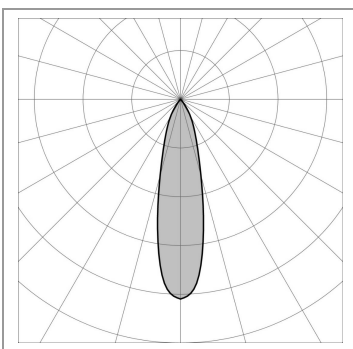
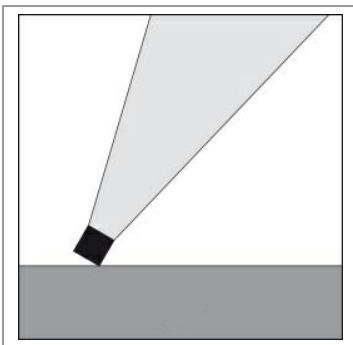
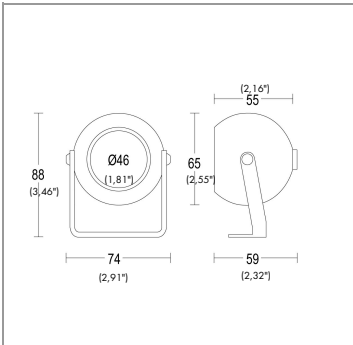
Description:	1 x 6 W LED 3000 K CRI>90 1 x 845 lm
Luminaire efficiency: [lm/W]	105.3
Fixture consumption:	7.06 W
Operation Range:	24 V DC
Number of heads:	1
Number of circuits:	1
Driver positioning:	Remote
Control gear type:	24 V DC not included
Dimmer type:	Dimmable based on driver used
Cable entry:	Brass cable gland M12 Ø 3.5/7 mm
Daisy chain wiring:	External to the luminaire with IP68 connector available as an accessory
Cable type:	FR5FOEM7-AD8 2x0.5mm2
Cord length [m]:	0.5
Water-Lock system:	Not available
Ambient temperature operating range [°C]:	-20 °C ÷ +35 °C

ELECTRICAL FOR MODEL:

GH0922.AHMT400EC

Description:	1 x 6 W LED 4000 K CRI>90 1 x 877 lm
Luminaire efficiency: [lm/W]	109.28
Fixture consumption:	7.06 W
Operation Range:	350 mA
Number of heads:	1
Number of circuits:	1
Driver positioning:	Remote
Control gear type:	350 mA not included
Dimmer type:	Dimmable based on driver used
Cable entry:	Brass cable gland M12 Ø 3.5/7 mm
Daisy chain wiring:	External to the luminaire with IP68 connector available as an accessory
Cable type:	FR5FOEM7-AD8 2x0.5mm2
Cord length [m]:	0.5
Water-Lock system:	Not available
Ambient temperature operating range [°C]:	-20 °C ÷ +35 °C





H(m)	φ(m)	lux med. 3000 K	lux max. 3000 K
5	2.3	61	97
4	1.8	96	151
3	1.4	170	269
2	0.9	383	606
1	0.5	1532	2423

ELECTRICAL FOR MODEL:

GH0922.AHMT400EL

Description:	1 x 6 W LED 4000 K CRI>90 1 x 877 lm
Luminaire efficiency: [lm/W]	109.28
Fixture consumption:	7.06 W
Operation Range:	24 V DC
Number of heads:	1
Number of circuits:	1
Driver positioning:	Remote
Control gear:	24 V DC not included
Dimmer type:	Dimmable based on driver used
Cable entry:	Brass cable gland M12 Ø 3.5/7 mm
Daisy chain wiring:	External to the luminaire with IP68 connector available as an accessory
Cable type:	FR5FOEM7-AD8 2x0.5mm2
Cord length [m]:	0.5
Water-Lock system:	Not available
Ambient temperature operating range [°C]:	-20 °C ÷ +35 °C

LIGHTING SOURCE FOR:

GH0922.AHMT300EC

Light source:	LED
Type of bulb or LED:	COB
Light source [W]:	6 W
Nominal LED emission [Lm]:	845 lm
Color temperature:	3000 K
Color rendering index:	CRI>90
Binning:	Step MacAdam 3
LED voltage range [V]:	18V
Current:	350 mA
Luminaire emission [lm]:	1 x 743
LED / Bulb:	Included

LIGHTING SOURCE FOR:

GH0922.AHMT300EL

Light source:	LED
Type of bulb or LED:	COB
Light source [W]:	6 W
Nominal LED emission [Lm]:	845 lm
Color temperature:	3000 K
Color rendering index:	CRI>90
Binning:	Step MacAdam 3
LED voltage range [V]:	18V
Current:	350 mA
Luminaire emission [lm]:	1 x 743
LED / Bulb:	Included

LIGHTING SOURCE FOR:

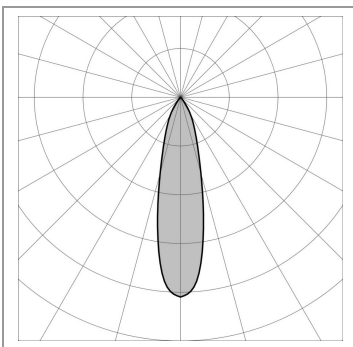
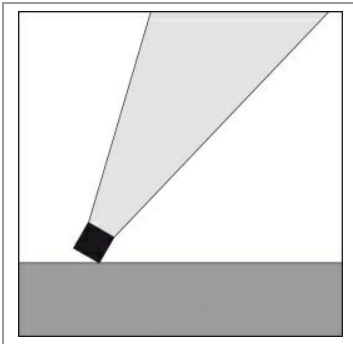
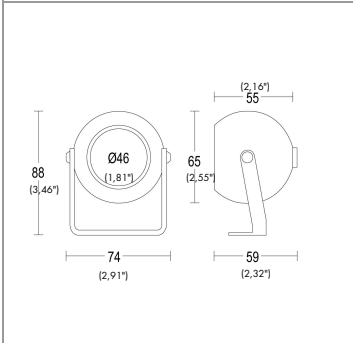
GH0922.AHMT400EC

Light source:	LED
Type of bulb or LED:	COB
Light source [W]:	6 W
Nominal LED emission [Lm]:	877 lm
Color temperature:	4000 K
Color rendering index:	CRI>90
Binning:	Step MacAdam 3
LED voltage range [V]:	18V
Current:	350 mA
Luminaire emission [lm]:	1 x 771
LED / Bulb:	Included

LIGHTING SOURCE FOR:

GH0922.AHMT400EL

Light source:	LED
Type of bulb or LED:	COB
Light source [W]:	6 W
Nominal LED emission [Lm]:	877 lm
Color temperature:	4000 K
Color rendering index:	CRI>90
Binning:	Step MacAdam 3
LED voltage range [V]:	18V
Current:	350 mA
Luminaire emission [lm]:	1 x 771
LED / Bulb:	Included



H(m)	φ(m)	lux med. 3000 K	lux max. 3000 K
5	2.3	61	97
4	1.8	96	151
3	1.4	170	269
2	0.9	383	606
1	0.5	1532	2423

OPTICAL:

Beam angle [°]	25°
Light distribution	Symmetrical medium flood (15° - 45°)
Beam directionability	Adjustable
Diffuser material	Sodium-calcium tempered glass 4mm
Swivel [°]	+/- 90°T
Diffuser finish	Transparent - extra clear
Optics	Reflector in anti-UV technopolymer with super pure aluminum metallization

FINISH CODE:
Standard Colors

- .05 Dark Grey (matt)
- .19 Light Grey

Up-On Request Colors

- .01 White (matt)
- .02 Black (matt)
- .45 Corten
- .62 Antique Grey
- .80 Sand
- .26 Luxury Bronze
- .65 Blue
- .83 Green

ACCESSORIES: for model GH0922.AHMT300EC and GH0922.AHMT400EC


IP66 remote power supply box
AC205-IP66



Driver LED IP20 350mA
15W DALI
AC052.0350015SD-20



Stake 170mm
AC203



IP 68 fast connector
AC204



Driver LED IP67 350mA
14W
AC085.1050014FN-67

ACCESSORIES: for model GH0922.AHMT300EL and GH0922.AHMT400EL


Driver LED IP20 24V DC
16W
AC184.0024016SN-20



IP66 remote power supply box
AC205-IP66



IP 68 fast connector
AC204



Power Hub 6 x 24V Dim
AC9000.CDXXXXXD



Power Hub 6 x 24V noDim
AC9000.CDXXXXXEN



Power Hub 6 x 24V
Casambi
AC9000.CDXXXXXES



Driver LED IP67 24V DC
14W
AC146.0024014FN-67



Stake 170mm
AC203