

CONSTRUCTIVE & DIMENSIONAL:

Application field:	Series of spot lights to be mounted on floor, wall, spike, tree with belt system or on a pole system.
Construction material:	Stainless steel AISI 316L, Extruded aluminum EN AW-6060 T5 high resistance to oxidation
External screws:	Extruded aluminum EN AW-6060 T5 high resistance to oxidation
Diameter:	65mm(2,55")

ELECTRICAL FOR MODEL:

GH0922.BGMT300EC

Description:	1 x 3.2 W LED 3000 K CRI>90 1 x 277 lm
Luminaire efficiency: [lm/W]	41.24
Fixture consumption:	4.27 W
Operation Range:	1050 mA
Number of heads:	1
Number of circuits:	1
Driver positioning:	Remote
Control gear:	1050 mA not included
Dimmer type:	Dimmable based on driver used
Cable entry:	Brass cable gland M12 Ø 3.5/7 mm
Daisy chain wiring:	External to the luminaire with IP68 connector available as an accessory
Cable type:	FR5FOEM7-AD8 2x0.5mm2
Cord length [m]:	0.5
Water-Lock system:	Not available
Ambient temperature operating range [°C]:	-20 °C ÷ +35 °C

ELECTRICAL FOR MODEL:

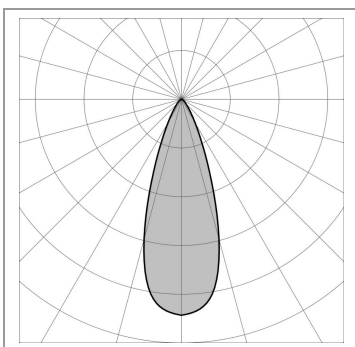
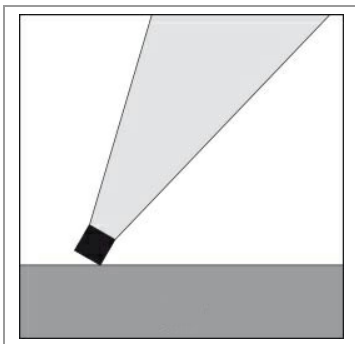
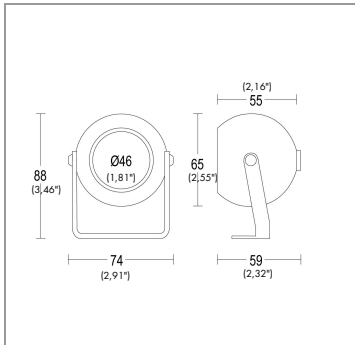
GH0922.BAMT300EL

Description:	1 x 2.1 W LED 3000 K CRI>90 1 x 196 lm
Luminaire efficiency: [lm/W]	44.47
Fixture consumption:	2.8 W
Operation Range:	24 V DC
Number of heads:	1
Number of circuits:	1
Driver positioning:	Remote
Control gear type:	24 V DC not included
Dimmer type:	Dimmable based on driver used
Cable entry:	Brass cable gland M12 Ø 3.5/7 mm
Daisy chain wiring:	External to the luminaire with IP68 connector available as an accessory
Cable type:	FR5FOEM7-AD8 2x0.5mm2
Cord length [m]:	0.5
Water-Lock system:	Not available
Ambient temperature operating range [°C]:	-20 °C ÷ +35 °C

ELECTRICAL FOR MODEL:

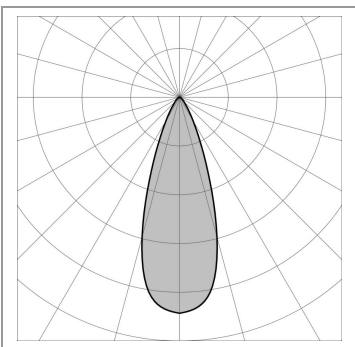
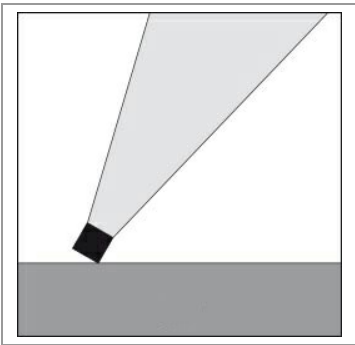
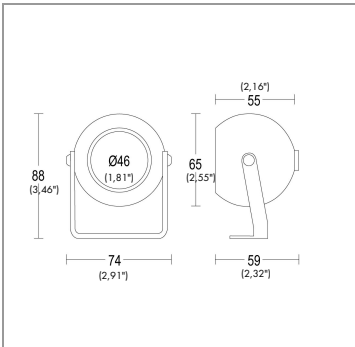
GH0922.BGMT400EC

Description:	1 x 3.2 W LED 4000 K CRI>90 1 x 307 lm
Luminaire efficiency: [lm/W]	45.71
Fixture consumption:	4.27 W
Operation Range:	1050 mA
Number of heads:	1
Number of circuits:	1
Driver positioning:	Remote
Control gear type:	350 mA not included
Dimmer type:	Dimmable based on driver used
Cable entry:	Brass cable gland M12 Ø 3.5/7 mm
Daisy chain wiring:	External to the luminaire with IP68 connector available as an accessory
Cable type:	FR5FOEM7-AD8 2x0.5mm2
Cord length [m]:	0.5
Water-Lock system:	Not available
Ambient temperature operating range [°C]:	-20 °C ÷ +35 °C



H(m)	φ(m)	lux med. 3000 K	lux max. 3000 K
5	3.3	9	15
4	2.6	14	23
3	2.0	26	41
2	1.3	57	92
1	0.7	230	368





H(m)	φ(m)	lux med. 3000 K	lux max. 3000 K
5	3.3	9	15
4	2.6	14	23
3	2.0	26	41
2	1.3	57	92
1	0.7	230	368

ELECTRICAL FOR MODEL:
GH0922.BAMT400EL

Description:	1 x 2.1 W LED 4000 K CRI>90 1 x 218 lm
Luminaire efficiency: [lm/W]	49.46
Fixture consumption:	2.8 W
Operation Range:	24 V DC
Number of heads:	1
Number of circuits:	1
Driver positioning:	Remote
Control gear:	24 V DC not included
Dimmer type:	Dimmable based on driver used
Cable entry:	Brass cable gland M12 Ø 3.5/7 mm
Daisy chain wiring:	External to the luminaire with IP68 connector available as an accessory
Cable type:	FR5FOEM7-AD8 2x0.5mm2
Cord length [m]:	0.5
Water-Lock system:	Not available
Ambient temperature operating range [°C]:	-20 °C ÷ +35 °C

LIGHTING SOURCE FOR:
GH0922.BGMT300EC

Light source:	LED
Type of bulb or LED:	LED module
Light source [W]:	3.2 W
Nominal LED emission [Lm]:	277 lm
Color temperature:	3000 K
Color rendering index:	CRI>90
Binning:	Step MacAdam 3
LED voltage range [V]:	3V
Courrent:	1050 mA
Luminaire emission [lm]:	1 x 176
LED / Bulb:	Included

LIGHTING SOURCE FOR:
GH0922.BAMT300EL

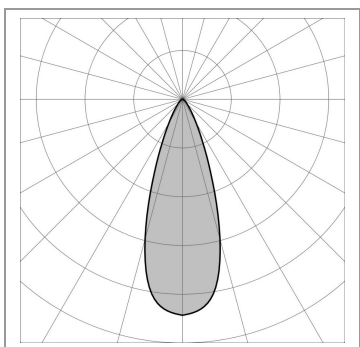
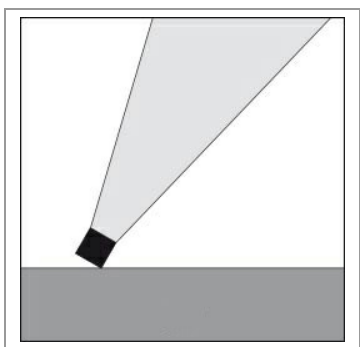
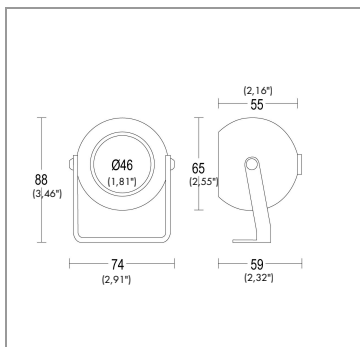
Light source:	LED
Type of bulb or LED:	LED module
Light source [W]:	2.1 W
Nominal LED emission [Lm]:	196 lm
Color temperature:	3000 K
Color rendering index:	CRI>90
Binning:	Step MacAdam 3
LED voltage range [V]:	3V
Courrent:	700 mA
Luminaire emission [lm]:	1 x 125
LED / Bulb:	Included

LIGHTING SOURCE FOR:
GH0922.BGMT400EC

Light source:	LED
Type of bulb or LED:	LED module
Light source [W]:	3.2 W
Nominal LED emission [Lm]:	307 lm
Color temperature:	4000 K
Color rendering index:	CRI>90
Binning:	Step MacAdam 3
LED voltage range [V]:	3V
Courrent:	1050 mA
Luminaire emission [lm]:	1 x 195
LED / Bulb:	Included

LIGHTING SOURCE FOR:
GH0922.BGMT300EC

Light source:	LED
Type of bulb or LED:	LED module
Light source [W]:	2.1 W
Nominal LED emission [Lm]:	218 lm
Color temperature:	4000 K
Color rendering index:	CRI>90
Binning:	Step MacAdam 3
LED voltage range [V]:	3V
Courrent:	700 mA
Luminaire emission [lm]:	1 x 138
LED / Bulb:	Included



H(m)	φ(m)	lux med. 3000 K	lux max. 3000 K
5	3.3	9	15
4	2.6	14	23
3	2.0	26	41
2	1.3	57	92
1	0.7	230	368

OPTICAL:

Beam angle [°]	36°
Light distribution	Symmetrical medium flood (15° - 45°)
Beam directionability	Adjustable
Diffuser material	Sodium-calcium tempered glass 4mm
Swivel [°]	+/- 90°T
Diffuser finish	Transparent - extra clear
Optics	Anti UV technopolymer lens

FINISH CODE:
Standard Colors

- .05 Dark Grey (matt)
- .19 Light Grey

Up-On Request Colors

- .01 White (matt)
- .02 Black (matt)
- .26 Luxury Bronze
- .45 Corten
- .62 Antique Grey
- .65 Blue
- .80 Sand
- .83 Green

ACCESSORIES: for model GH0922.BGMT300EC and GH0922.BGMT400EC


IP66 remote power supply box
AC205-IP66



Driver LED IP20 1050mA
42W
AC087.1050042SN-20



Stake 170mm
AC203



IP 68 fast connector
AC204



Driver LED IP67 1050mA
14W
AC085.1050014FN-67

ACCESSORIES: for model GH0922.BAMT300EL and GH0922.BAMT400EL


Driver LED IP20 24V DC
16W
AC184.0024016SN-20



IP66 remote power supply box
AC205-IP66



IP 68 fast connector
AC204



Power Hub 6 x 24V Dim
AC9000.CDXXXXXED



Power Hub 6 x 24V noDim
AC9000.CDXXXXXEN



Power Hub 6 x 24V
Casambi
AC9000.CDXXXXXES



Driver LED IP67 24V DC
14W
AC146.0024014FN-67



Stake 170mm
AC203