

CONSTRUCTIVE & DIMENSIONAL:

Application field:	Series of spot lights to be mounted on floor, wall, spike, tree with belt system or on a pole system.
Construction material:	Stainless steel AISI 316L, Extruded aluminum EN AW-6060 T5 high resistance to oxidation
External screws:	Extruded aluminum EN AW-6060 T5 high resistance to oxidation
Diameter:	35mm(1,37")

ELECTRICAL FOR MODEL:
GH0920.BAMT300EC

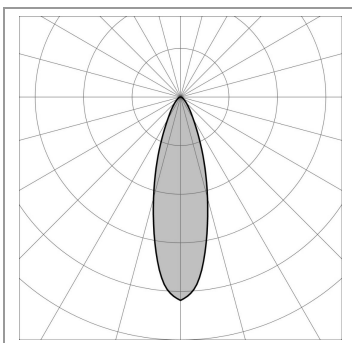
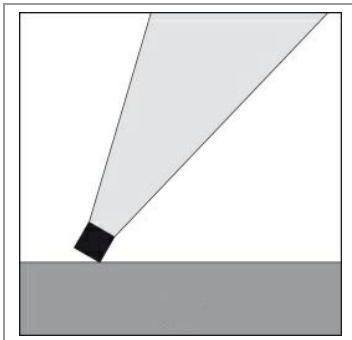
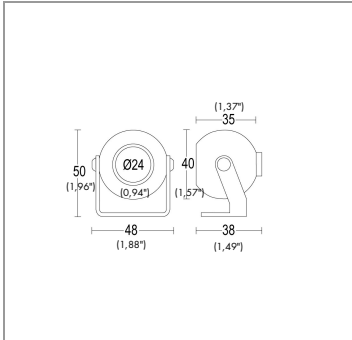
Description:	1 x 1.5 W LED 3000 K CRI>90 1 x 146 lm
Luminaire efficiency: [lm/W]	41.25
Fixture consumption:	2 W
Operation Range:	500 mA
Number of heads:	1
Number of circuits:	1
Driver positioning:	Remote
Control gear:	500 mA not included
Dimmer type:	Dimmable based on driver used
Cable entry:	Brass cable gland M12 Ø 3.5/7 mm
Daisy chain wiring:	External to the luminaire with IP68 connector available as an accessory
Cable type:	FR5FOEM7-AD8 2x0.5mm2
Cord length [m]:	0.5
Water-Lock system:	Not available
Ambient temperature operating range [°C]:	-20 °C ÷ +35 °C

ELECTRICAL FOR MODEL:
GH0920.BAMT300EL

Description:	1 x 1.5 W LED 3000 K CRI>90 1 x 146 lm
Luminaire efficiency: [lm/W]	41.25
Fixture consumption:	2 W
Operation Range:	24 V DC
Number of heads:	1
Number of circuits:	1
Driver positioning:	Remote
Control gear type:	24 V DC not included
Dimmer type:	Dimmable based on driver used
Cable entry:	Brass cable gland M12 Ø 3.5/7 mm
Daisy chain wiring:	External to the luminaire with IP68 connector available as an accessory
Cable type:	FR5FOEM7-AD8 2x0.5mm2
Cord length [m]:	0.5
Water-Lock system:	Not available
Ambient temperature operating range [°C]:	-20 °C ÷ +35 °C

ELECTRICAL FOR MODEL:
GH0920.BAMT400EC

Description:	1 x 1.5 W LED 4000 K CRI>90 1 x 162 lm
Luminaire efficiency: [lm/W]	45.77
Fixture consumption:	2 W
Operation Range:	500 mA
Number of heads:	1
Number of circuits:	1
Driver positioning:	Remote
Control gear type:	500 mA not included
Dimmer type:	Dimmable based on driver used
Cable entry:	Brass cable gland M12 Ø 3.5/7 mm
Daisy chain wiring:	External to the luminaire with IP68 connector available as an accessory
Cable type:	FR5FOEM7-AD8 2x0.5mm2
Cord length [m]:	0.5
Water-Lock system:	Not available
Ambient temperature operating range [°C]:	-20 °C ÷ +35 °C

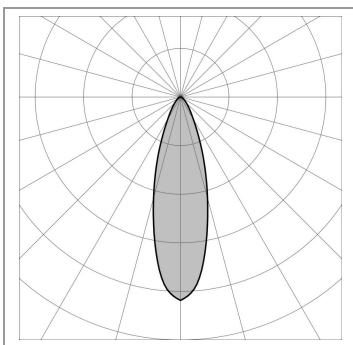
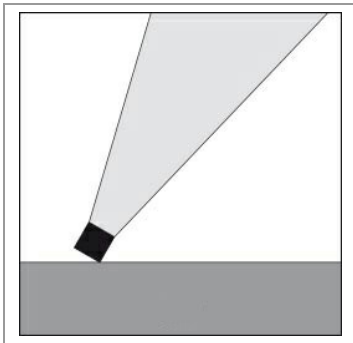
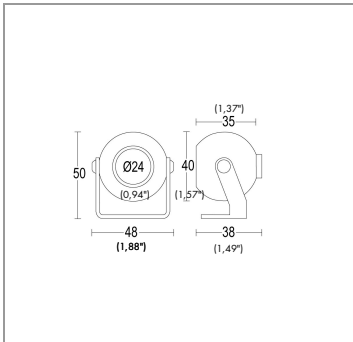


H(m)	φ(m)	lux med. 3000 K	lux max. 3000 K
5	2.7	4	7
4	2.2	7	11
3	1.6	12	20
2	1.1	28	46
1	0.5	111	183





ALFA
ANTONIO
LANZILLO
ILLUMINAZIONE



H(m)	φ(m)	lux med. 3000 K	lux max. 3000 K
5	2.7	4	7
4	2.2	7	11
3	1.6	12	20
2	1.1	28	46
1	0.5	111	183

ELECTRICAL FOR MODEL:
GH0920.BAMT400EL

Description:	1 x 1.5 W LED 4000 K CRI>90 1 x 162 lm
Luminaire efficiency: [lm/W]	45.77
Fixture consumption:	2 W
Operation Range:	24 V DC
Number of heads:	1
Number of circuits:	1
Driver positioning:	Remote
Control gear:	24 V DC not included
Dimmer type:	Dimmable based on driver used
Cable entry:	Brass cable gland M12 Ø 3.5/7 mm
Daisy chain wiring:	External to the luminaire with IP68 connector available as an accessory
Cable type:	FR5FOEM7-AD8 2x0.5mm2
Cord length [m]:	0.5
Water-Lock system:	Not available
Ambient temperature operating range [°C]:	-20 °C ÷ +35 °C

LIGHTING SOURCE FOR:
GH0920.BAMT300EC and GH0920.BAMT300EL

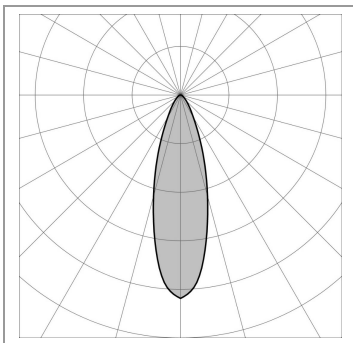
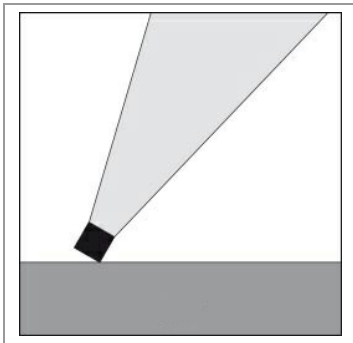
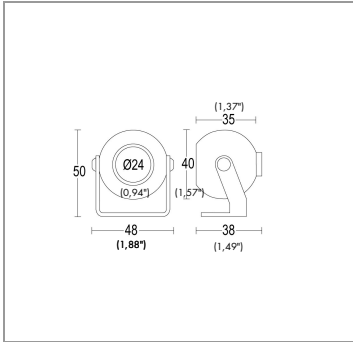
Light source:	LED
Type of bulb or LED:	LED module
Light source [W]:	1.5 W
Nominal LED emission [Lm]:	146 lm
Color temperature:	3000 K
Color rendering index:	CRI>90
Binning:	Step MacAdam 3
LED voltage range [V]:	3V
Current:	500 mA
Luminaire emission [lm]:	1 x 82
LED / Bulb:	Included

LIGHTING SOURCE FOR:
GH0920.BAMT400EC and GH0920.BAMT400EL

Light source:	LED
Type of bulb or LED:	LED module
Light source [W]:	1.5 W
Nominal LED emission [Lm]:	162 lm
Color temperature:	4000 K
Color rendering index:	CRI>90
Binning:	Step MacAdam 3
LED voltage range [V]:	3V
Current:	500 mA
Luminaire emission [lm]:	1 x 82
LED / Bulb:	Included

OPTICAL:

Beam angle [°]	31°
Light distribution	Symmetrical medium flood (15° - 45°)
Beam directionability	Adjustable
Diffuser material	Sodium-calcium tempered glass 4mm
Swivel [°]	+/- 90°
Diffuser finish	Transparent - extra clear
Optics	Anti UV technopolymer lens



H(m)	φ(m)	lux med. 3000 K	lux max. 3000 K
5	2.7	4	7
4	2.2	7	11
3	1.6	12	20
2	1.1	28	46
1	0.5	111	183

FINISH CODE:

Standard Colors

● .05 Dark Grey (matt)

● .19 Light Grey

Up-On Request Colors

● .01 White (matt)

● .02 Black (matt)

● .26 Luxury Bronze

● .45 Corten

● .62 Antique Grey

● .65 Blue

● .80 Sand

● .83 Green

ACCESSORIES: for model GH0920.BAMT300EC and GH0920.BAMT400EC



Driver LED IP20 500mA 22W
AC087.0500022SN-20



IP66 remote power supply box
AC205-IP66



IP 68 fast connector
AC204



IP55 remote power supply box
AC205-IP55



Stake 170mm
AC203



Driver LED IP67 500mA 14W
AC083.0500014FN-67

ACCESSORIES: for model GH0920.BAMT300EL and GH0920.BAMT400EL



Driver LED IP20 24V DC 16W
AC184.0024016SN-20



IP66 remote power supply box
AC205-IP66



IP 68 fast connector
AC204



Power Hub 6 x 24V Dim
AC9000.CDXXXXXED



Power Hub 6 x 24V noDim
AC9000.CDXXXXXEN



Power Hub 6 x 24V Casambi
AC9000.CDXXXXXES



Driver LED IP67 24V DC 14W
AC146.0024014FN-67



Stake 170mm
AC203



IP55 remote power supply box
AC205-IP55