
CONSTRUCTIVE & DIMENSIONAL:

| | |
|------------------------|---|
| Application field: | Bollards, Driveways, Pathways |
| Construction material: | Extruded aluminum EN AW-6060 T5 high resistance to oxidation, Die-cast aluminum EN AB 44100 highly resistant to oxidation |
| External screws: | Stainless steel A4-70 treated with highly antioxidant water-repellent lubricating solution |
| Height: | 300mm(11,81") |
| Diameter: | Ø60mm(2,36") |

ELECTRICAL FOR MODEL:
GH1400.ETXT300EN

| | |
|---|---|
| Description: | 1 x 5 W LED 3000 K CRI>90 1 x 553 lm |
| Luminaire efficiency: [lm/W] | 27.15 |
| Fixture consumption: | 5.88 W |
| Operation Range: | 110-277 V - 50/60 Hz |
| Number of heads: | 1 |
| Number of circuits: | 1 |
| Driver positioning: | Integral |
| Control gear type: | Electronic |
| Dimmer type: | Dimmable upon request |
| Cable entry: | Nylon cable gland M12 Ø 3,5/7 mm |
| Daisy chain wiring: | External to the luminaire with IP68 connector available as an accessory |
| Cable type: | H05RN-F 2x1mm2 |
| Cord length [m]: | 0.5 |
| Water-Lock system: | Included |
| Ambient temperature operating range [°C]: | -20 °C ÷ +35 °C |

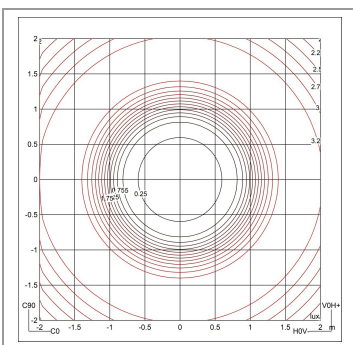
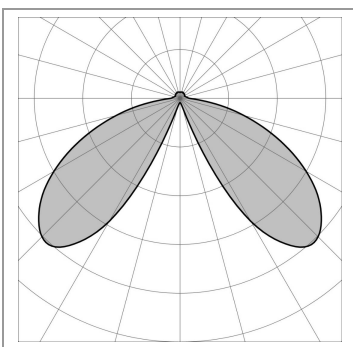
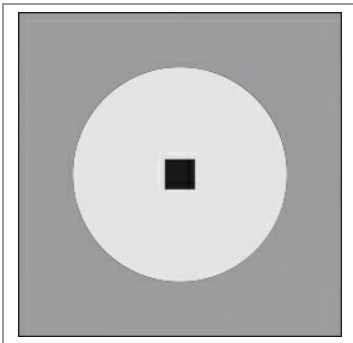
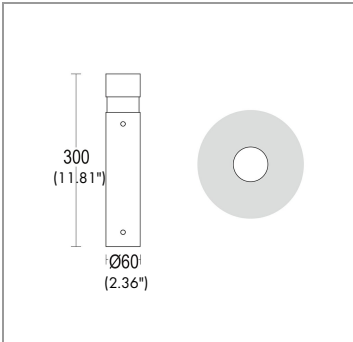
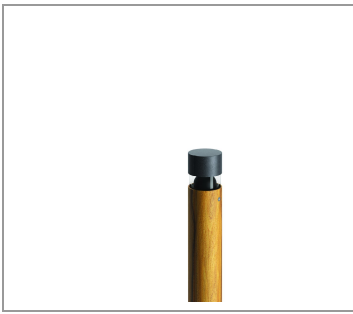
ELECTRICAL FOR MODEL:
GH1400.ETXT400EN

| | |
|---|---|
| Description: | 1 x 5 W LED 4000 K CRI>90 1 x 577 lm |
| Luminaire efficiency: [lm/W] | 28.33 |
| Fixture consumption: | 5.88 W |
| Operation Range: | 110-277 V - 50/60 Hz |
| Number of heads: | 1 |
| Number of circuits: | 1 |
| Driver positioning: | Integral |
| Control gear type: | Electronic |
| Dimmer type: | Dimmable upon request |
| Cable entry: | Nylon cable gland M12 Ø 3,5/7 mm |
| Daisy chain wiring: | External to the luminaire with IP68 connector available as an accessory |
| Cable type: | H05RN-F 2x1mm2 |
| Cord length [m]: | 0.5 |
| Water-Lock system: | Included |
| Ambient temperature operating range [°C]: | -20 °C ÷ +35 °C |

ELECTRICAL FOR MODEL:
GH1400.CAXT300EN

| | |
|---|---|
| Description: | 1 x 10 W LED 3000 K CRI>90 1 x 987 lm |
| Luminaire efficiency: [lm/W] | 24.23 |
| Fixture consumption: | 11.76 W |
| Operation Range: | 110-277 V - 50/60 Hz |
| Number of heads: | 1 |
| Number of circuits: | 1 |
| Driver positioning: | Integral |
| Control gear type: | Electronic |
| Dimmer type: | Dimmable upon request |
| Cable entry: | Nylon cable gland M12 Ø 3,5/7 mm |
| Daisy chain wiring: | External to the luminaire with IP68 connector available as an accessory |
| Cable type: | H05RN-F 2x1mm2 |
| Cord length [m]: | 0.5 |
| Water-Lock system: | Included |
| Ambient temperature operating range [°C]: | -20 °C ÷ +35 °C |




ELECTRICAL FOR MODEL:
GH1400.CAXT400EN

| | |
|---|---|
| Description: | 1 x 10 W LED 4000 K CRI>90 1 x 1055 lm |
| Luminaire efficiency: [lm/W] | 25.9 |
| Fixture consumption: | 11.76 W |
| Operation Range: | 110-277 V - 50/60 Hz |
| Number of heads: | 1 |
| Number of circuits: | 1 |
| Driver positioning: | Integral |
| Control gear type: | Electronic |
| Dimmer type: | Dimmable upon request |
| Cable entry: | Nylon cable gland M12 Ø 3,5/7 mm |
| Daisy chain wiring: | External to the luminaire with IP68 connector available as an accessory |
| Cable type: | H05RN-F 2x1mm2 |
| Cord length [m]: | 0.5 |
| Water-Lock system: | Included |
| Ambient temperature operating range [°C]: | -20 °C ÷ +35 °C |

LIGHTING SOURCE FOR GH1400.ETXT300EN

| | |
|----------------------------|----------------|
| Light source: | LED |
| Type of bulb or LED: | DOB |
| Light source [W]: | 5 W |
| Nominal LED emission [Lm]: | 553 lm |
| Color temperature: | 3000 K |
| Color rendering index: | CRI>90 |
| Binning: | Step MacAdam 3 |
| Luminaire emission [lm]: | 1 x 160 |
| LED / Bulb: | Included |
| LED voltage range [V]: | 12V |
| Current: | 350ml |

LIGHTING SOURCE FOR GH1400.ETXT400EN

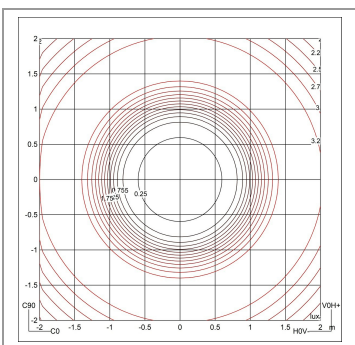
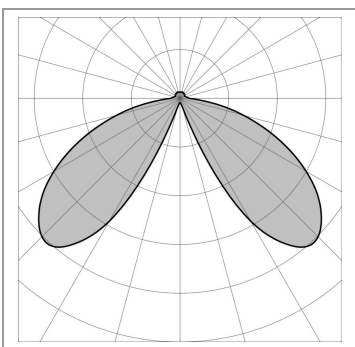
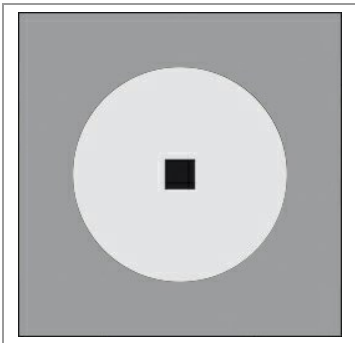
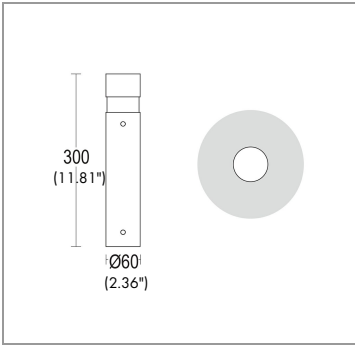
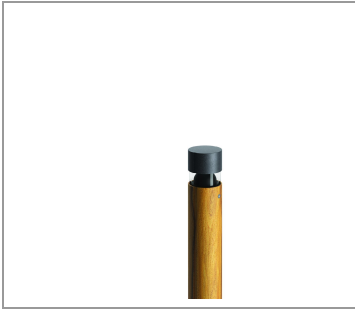
| | |
|----------------------------|----------------|
| Light source: | LED |
| Type of bulb or LED: | DOB |
| Light source [W]: | 5 W |
| Nominal LED emission [Lm]: | 577 lm |
| Color temperature: | 4000 K |
| Color rendering index: | CRI>90 |
| Binning: | Step MacAdam 3 |
| Luminaire emission [lm]: | 1 x 167 |
| LED / Bulb: | Included |
| LED voltage range [V]: | 12V |
| Current: | 350ml |

LIGHTING SOURCE FOR GH1400.CAXT300EN

| | |
|----------------------------|----------------|
| Light source: | LED |
| Type of bulb or LED: | DOB |
| Light source [W]: | 10 W |
| Nominal LED emission [Lm]: | 987 lm |
| Color temperature: | 3000 K |
| Color rendering index: | CRI>90 |
| Binning: | Step MacAdam 3 |
| Luminaire emission [lm]: | 1 x 285 |
| LED / Bulb: | Included |
| LED voltage range [V]: | 12V |
| Current: | 700ml |

LIGHTING SOURCE FOR GH1400.CAXT400EN

| | |
|----------------------------|----------------|
| Light source: | LED |
| Type of bulb or LED: | DOB |
| Light source [W]: | 10 W |
| Nominal LED emission [Lm]: | 1055 lm |
| Color temperature: | 4000 K |
| Color rendering index: | CRI>90 |
| Binning: | Step MacAdam 3 |
| Luminaire emission [lm]: | 1 x 305 |
| LED / Bulb: | Included |
| LED voltage range [V]: | 12V |
| Current: | 700ml |



OPTICAL:

| | |
|----------------------------|---|
| Beam angle [°]: | 360° |
| Light distribution: | Other |
| Beam directionability: | Fixed optics |
| Diffuser material: | Vandal proof polycarbonate UV resistant |
| Diffuser finish : | Transparent - extra clear |
| Diffuser temperature: [°C] | < 30 °C / 86 °F |
| Optics: | Reflector in anti-UV technopolymer with super pure aluminum metallization |
| Secondary optics: | Black painted aluminum reflector |

FINISH CODE:

.32 Oak

ACCESSORIES:



IP 68 connector for through wiring
AC279



IP 68 fast connector
AC204



plated steel anchorage
Quadro / Tondo / Rettangolo
AC251