
CONSTRUCTIVE & DIMENSIONAL:

Application field:	Bollards, Driveways, Pathways
Construction material:	Extruded aluminum EN AW-6060 T5 high resistance to oxidation, Die-cast aluminum EN AB 44100 highly resistant to oxidation
External screws:	Stainless steel A4-70 treated with highly antioxidant water-repellent lubricating solution
Height:	500mm(19.68")
Diameter:	Ø60mm(2,36")

ELECTRICAL FOR MODEL:
GH1401.ETXT300EN

Description:	1 x 5 W LED 3000 K CRI>90 1 x 553 lm
Luminaire efficiency: [lm/W]	27.15
Fixture consumption:	5.88 W
Operation Range:	110-277 V - 50/60 Hz
Number of heads:	1
Number of circuits:	1
Driver positioning:	Integral
Control gear type:	Electronic
Dimmer type:	Dimmable upon request
Cable entry:	Nylon cable gland M12 Ø 3,5/7 mm
Daisy chain wiring:	External to the luminaire with IP68 connector available as an accessory
Cable type:	H05RN-F 2x1mm2
Cord length [m]:	0.5
Water-Lock system:	Included
Ambient temperature operating range [°C]:	-20 °C ÷ +35 °C

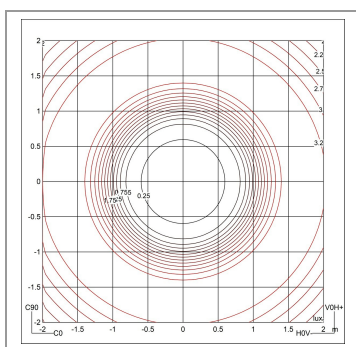
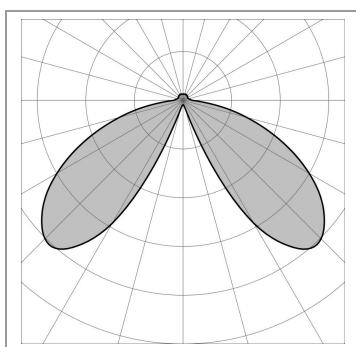
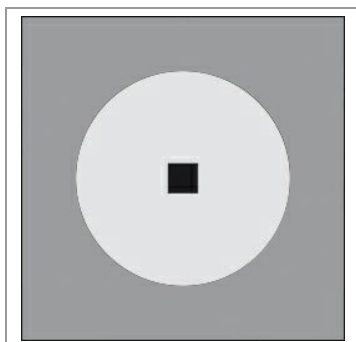
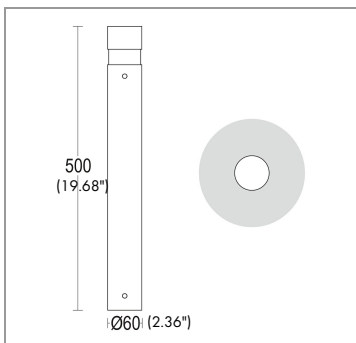
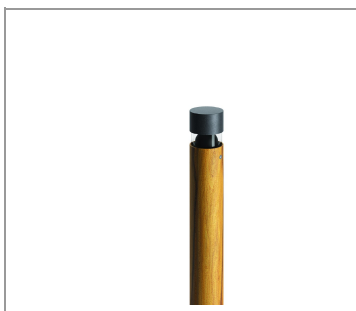
ELECTRICAL FOR MODEL:
GH1401.ETXT400EN

Description:	1 x 5 W LED 4000 K CRI>90 1 x 577 lm
Luminaire efficiency: [lm/W]	28.33
Fixture consumption:	5.88 W
Operation Range:	110-277 V - 50/60 Hz
Number of heads:	1
Number of circuits:	1
Driver positioning:	Integral
Control gear type:	Electronic
Dimmer type:	Dimmable upon request
Cable entry:	Nylon cable gland M12 Ø 3,5/7 mm
Daisy chain wiring:	External to the luminaire with IP68 connector available as an accessory
Cable type:	H05RN-F 2x1mm2
Cord length [m]:	0.5
Water-Lock system:	Included
Ambient temperature operating range [°C]:	-20 °C ÷ +35 °C

ELECTRICAL FOR MODEL:
GH1401.CAXT300EN

Description:	1 x 10 W LED 3000 K CRI>90 1 x 987 lm
Luminaire efficiency: [lm/W]	24.23
Fixture consumption:	11.76 W
Operation Range:	110-277 V - 50/60 Hz
Number of heads:	1
Number of circuits:	1
Driver positioning:	Integral
Control gear type:	Electronic
Dimmer type:	Dimmable upon request
Cable entry:	Nylon cable gland M12 Ø 3,5/7 mm
Daisy chain wiring:	External to the luminaire with IP68 connector available as an accessory
Cable type:	H05RN-F 2x1mm2
Cord length [m]:	0.5
Water-Lock system:	Included
Ambient temperature operating range [°C]:	-20 °C ÷ +35 °C




ELECTRICAL FOR MODEL:
GH1401.CAXT400EN

Description:	1 x 10 W LED 4000 K CRI>90 1 x 1055 lm
Luminaire efficiency: [lm/W]	25.9
Fixture consumption:	11.76 W
Operation Range:	110-277 V - 50/60 Hz
Number of heads:	1
Number of circuits:	1
Driver positioning:	Integral
Control gear type:	Electronic
Dimmer type:	Dimmable upon request
Cable entry:	Nylon cable gland M12 Ø 3,5/7 mm
Daisy chain wiring:	External to the luminaire with IP68 connector available as an accessory
Cable type:	H05RN-F 2x1mm2
Cord length [m]:	0.5
Water-Lock system:	Included
Ambient temperature operating range [°C]:	-20 °C ÷ +35 °C

LIGHTING SOURCE FOR GH1401.ETXT300EN

Light source:	LED
Type of bulb or LED:	DOB
Light source [W]:	5 W
Nominal LED emission [Lm]:	553 lm
Color temperature:	3000 K
Color rendering index:	CRI>90
Binning:	Step MacAdam 3
Luminaire emission [lm]:	1 x 160
LED / Bulb:	Included
LED voltage range [V]:	12V
Current:	350ml

LIGHTING SOURCE FOR GH1401.ETXT400EN

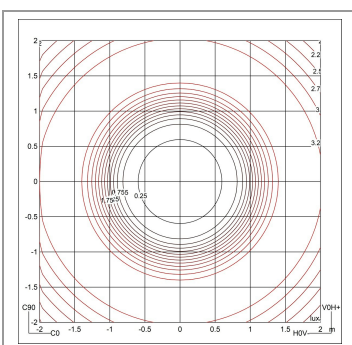
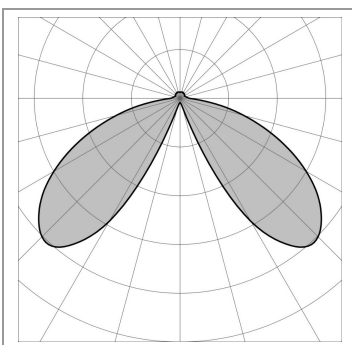
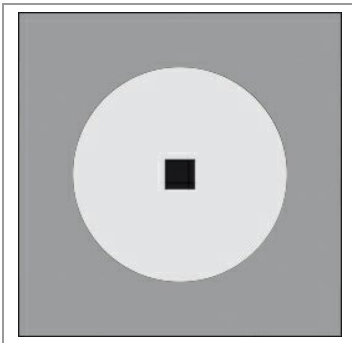
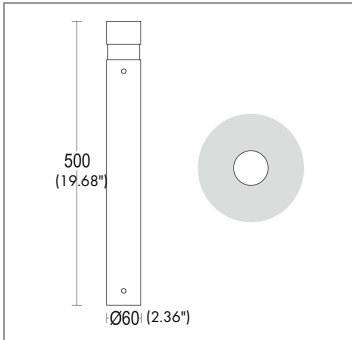
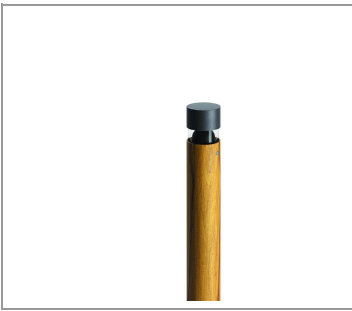
Light source:	LED
Type of bulb or LED:	DOB
Light source [W]:	5 W
Nominal LED emission [Lm]:	577 lm
Color temperature:	4000 K
Color rendering index:	CRI>90
Binning:	Step MacAdam 3
Luminaire emission [lm]:	1 x 167
LED / Bulb:	Included
LED voltage range [V]:	12V
Current:	350ml

LIGHTING SOURCE FOR GH1401.CAXT300EN

Light source:	LED
Type of bulb or LED:	DOB
Light source [W]:	10 W
Nominal LED emission [Lm]:	987 lm
Color temperature:	3000 K
Color rendering index:	CRI>90
Binning:	Step MacAdam 3
Luminaire emission [lm]:	1 x 285
LED / Bulb:	Included
LED voltage range [V]:	12V
Current:	700ml

LIGHTING SOURCE FOR GH1401.CAXT400EN

Light source:	LED
Type of bulb or LED:	DOB
Light source [W]:	10 W
Nominal LED emission [Lm]:	1055 lm
Color temperature:	4000 K
Color rendering index:	CRI>90
Binning:	Step MacAdam 3
Luminaire emission [lm]:	1 x 305
LED / Bulb:	Included
LED voltage range [V]:	12V
Current:	700ml



OPTICAL:

Beam angle [°]:	360°
Light distribution:	Other
Beam directionability:	Fixed optics
Diffuser material:	Vandal proof polycarbonate UV resistant
Diffuser finish :	Transparent - extra clear
Diffuser temperature: [°C]	< 30 °C / 86 °F
Optics:	Reflector in anti-UV technopolymer with super pure aluminum metallization
Secondary optics:	Black painted aluminum reflector

FINISH CODE:

.32 Oak

ACCESSORIES:



IP 68 connector for through wiring
AC279



IP 68 fast connector
AC204



plated steel anchorage
Quadro / Tondo / Rettangolo
AC251