

**CONSTRUCTIVE & DIMENSIONAL:**

Application field:	Series of spot lights to be mounted on floor, wall, spike, tree with belt system or on a pole system.
Construction material:	Stainless steel AISI 316L, Extruded aluminum EN AW-6060 T5 high resistance to oxidation
External screws:	Extruded aluminum EN AW-6060 T5 high resistance to oxidation
Diameter:	50mm(1,96")

**ELECTRICAL FOR MODEL:**
**GH0921.BAST300EC**

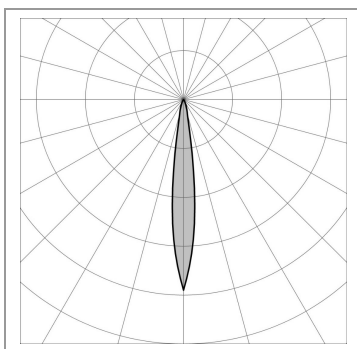
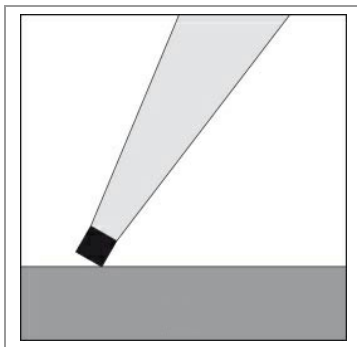
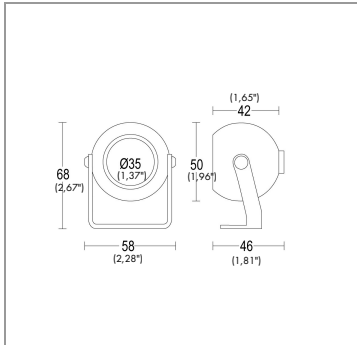
Description:	1 x 2.1 W LED 3000 K CRI>90 1 x 196 lm
Luminaire efficiency: [lm/W]	66.71
Fixture consumption:	2.8 W
Operation Range:	700 mA
Number of heads:	1
Number of circuits:	1
Driver positioning:	Remote
Control gear:	700 mA not included
Dimmer type:	Dimmable based on driver used
Cable entry:	Brass cable gland M12 Ø 3.5/7 mm
Daisy chain wiring:	External to the luminaire with IP68 connector available as an accessory
Cable type:	FR5FOEM7-AD8 2x0.5mm2
Cord length [m]:	0.5
Water-Lock system:	Not available
Ambient temperature operating range [°C]:	-20 °C ÷ +35 °C

**ELECTRICAL FOR MODEL:**
**GH0921.BAST300EL**

Description:	1 x 2.1 W LED 3000 K CRI>90 1 x 196 lm
Luminaire efficiency: [lm/W]	66.71
Fixture consumption:	2.8 W
Operation Range:	24 V DC
Number of heads:	1
Number of circuits:	1
Driver positioning:	Remote
Control gear type:	24 V DC not included
Dimmer type:	Dimmable based on driver used
Cable entry:	Brass cable gland M12 Ø 3.5/7 mm
Daisy chain wiring:	External to the luminaire with IP68 connector available as an accessory
Cable type:	FR5FOEM7-AD8 2x0.5mm2
Cord length [m]:	0.5
Water-Lock system:	Not available
Ambient temperature operating range [°C]:	-20 °C ÷ +35 °C

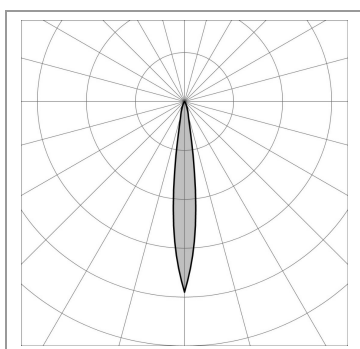
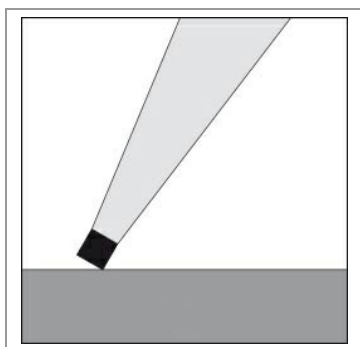
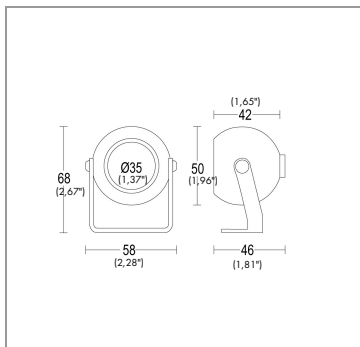
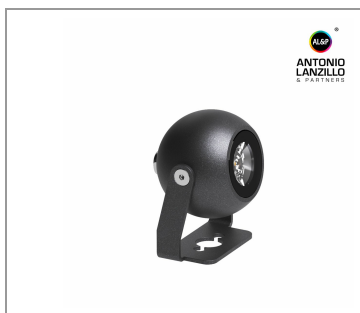
**ELECTRICAL FOR MODEL:**
**GH0921.BAST400EC**

Description:	1 x 2.1 W LED 4000 K CRI>90 1 x 218 lm
Luminaire efficiency: [lm/W]	74.2
Fixture consumption:	2.8 W
Operation Range:	700 mA
Number of heads:	1
Number of circuits:	1
Driver positioning:	Remote
Control gear type:	700 mA not included
Dimmer type:	Dimmable based on driver used
Cable entry:	Brass cable gland M12 Ø 3.5/7 mm
Daisy chain wiring:	External to the luminaire with IP68 connector available as an accessory
Cable type:	FR5FOEM7-AD8 2x0.5mm2
Cord length [m]:	0.5
Water-Lock system:	Not available
Ambient temperature operating range [°C]:	-20 °C ÷ +35 °C



H(m)	φ(m)	lux med. 3000 K	lux max. 3000 K
5	1.2	47	76
4	0.9	74	119
3	0.7	132	212
2	0.5	297	478
1	0.2	1187	1910





H(m)	φ(m)	lux med. 3000 K	lux max. 3000 K
5	1.2	47	76
4	0.9	74	119
3	0.7	132	212
2	0.5	297	478
1	0.2	1187	1910

**ELECTRICAL FOR MODEL:**

GH0921.BAST400EL

Description:	1 x 2.1 W LED 4000 K CRI>90 1 x 218 lm
Luminaire efficiency: [lm/W]	74.2
Fixture consumption:	2.8 W
Operation Range:	24 V DC
Number of heads:	1
Number of circuits:	1
Driver positioning:	Remote
Control gear:	24 V DC not included
Dimmer type:	Dimmable based on driver used
Cable entry:	Brass cable gland M12 Ø 3.5/7 mm
Daisy chain wiring:	External to the luminaire with IP68 connector available as an accessory
Cable type:	FR5FOEM7-AD8 2x0.5mm2
Cord length [m]:	0.5
Water-Lock system:	Not available
Ambient temperature operating range [°C]:	-20 °C ÷ +35 °C

**LIGHTING SOURCE FOR:**

GH0921.BAST300EC and GH0921.BAST300EL

Light source:	LED
Type of bulb or LED:	LED module
Light source [W]:	2.1 W
Nominal LED emission [Lm]:	196 lm
Color temperature:	3000 K
Color rendering index:	CRI>90
Binning:	Step MacAdam 3
LED voltage range [V]:	3V
Courrent:	700 mA
Luminaire emission [lm]:	1 x 187
LED / Bulb:	Included

**LIGHTING SOURCE FOR:**

GH0921.BAST400EC and GH0921.BAST400EL

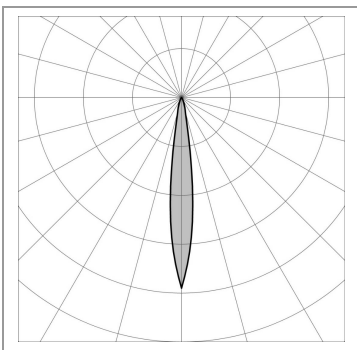
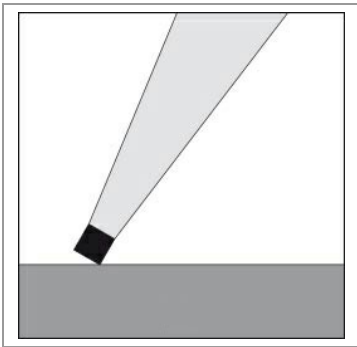
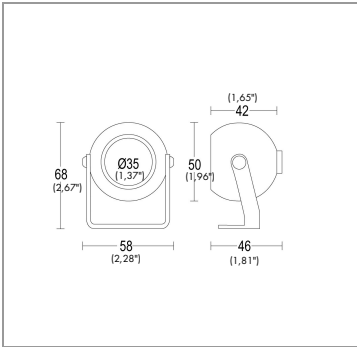
Light source:	LED
Type of bulb or LED:	LED module
Light source [W]:	2.1 W
Nominal LED emission [Lm]:	218lm
Color temperature:	4000 K
Color rendering index:	CRI>90
Binning:	Step MacAdam 3
LED voltage range [V]:	3V
Courrent:	700 mA
Luminaire emission [lm]:	1 x 82
LED / Bulb:	Included

**OPTICAL:**

Beam angle [°]	13°
Light distribution	Symmetrical narrow beam (<=15°)
Beam directionability	Adjustable
Diffuser material	Sodium-calcium tempered glass 4mm
Swivel [°]	+/- 90°
Diffuser finish	Transparent - extra clear
Optics	Anti UV technopolymer lens



AL&P  
ANTONIO LANZILLO  
S. GIOVANNI



H(m)	φ(m)	lux med. 3000 K	lux max. 3000 K
5	1.2	47	76
4	0.9	74	119
3	0.7	132	212
2	0.5	297	478
1	0.2	1187	1910

### FINISH CODE:

#### Standard Colors

● .05 Dark Grey (matt)

● .19 Light Grey

#### Up-On Request Colors

● .01 White (matt)

● .02 Black (matt)

● .26 Luxury Bronze

● .45 Corten

● .62 Antique Grey

● .65 Blue

● .80 Sand

● .83 Green

### ACCESSORIES: for model GH0921.BAST300EC and GH0921.BAST400EC



Driver LED IP20 700mA 31W  
AC087.0700031SN-20



IP66 remote power supply box  
AC205-IP66



IP 68 fast connector  
AC204



IP55 remote power supply box  
AC205-IP55



Stake 170mm  
AC203

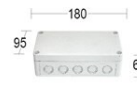


Driver LED IP67 700mA 14W  
AC084.0700014FN-67

### ACCESSORIES: for model GH0921.BAST300EL and GH0921.BAST400EL



Driver LED IP20 24V DC 16W  
AC184.0024016SN-20



IP66 remote power supply box  
AC205-IP66



IP 68 fast connector  
AC204



Power Hub 6 x 24V Dim  
AC9000.CDXXXXXED



Power Hub 6 x 24V noDim  
AC9000.CDXXXXXEN



Power Hub 6 x 24V Casambi  
AC9000.CDXXXXXES



Driver LED IP67 24V DC 14W  
AC146.0024014FN-67



Stake 170mm  
AC203